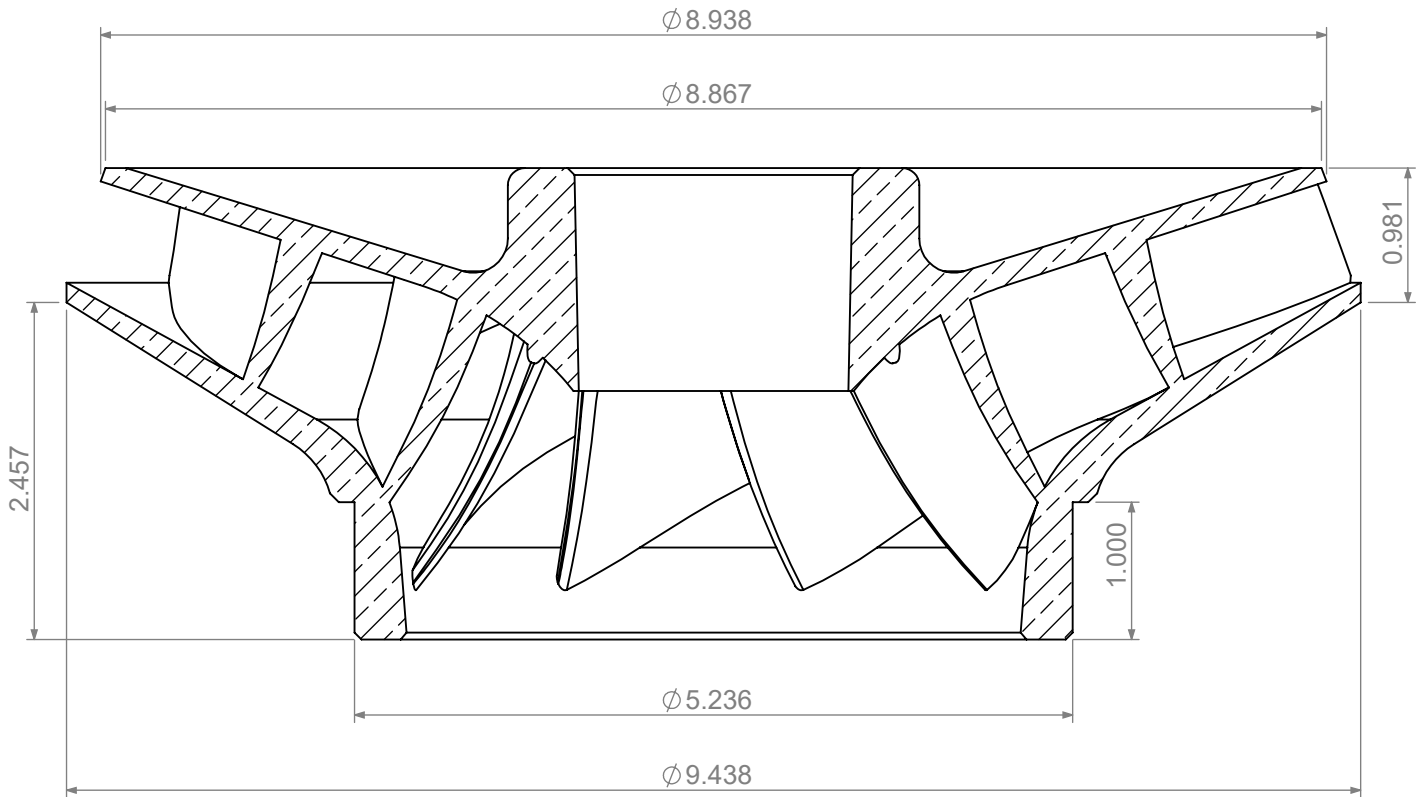


FOR 1.688" SHAFT

NAME	PART No.	MATERIAL
Closed Impeller W12LC	W1211503	CDA836 Pb RED BRASS
Closed Impeller W12MC	W1211703	CDA836 Pb RED BRASS
Closed impeller W12HC	W1211803	CDA836 Pb RED BRASS



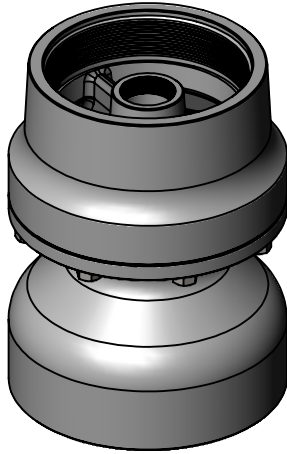
BOMBAS KLASSEN S.A DE C.V
 THIS DRAWING IS THE EXCLUSIVE PROPERTY OF
BOMBAS KLASSEN S.A DE C.V

NO USE WHATSOEVER OF THE INFORMATION
 CONTAINED HEREON MAY BE USED WITHOUT WRITTEN PERMISSION

DEPARTMENT: *GENERAL*

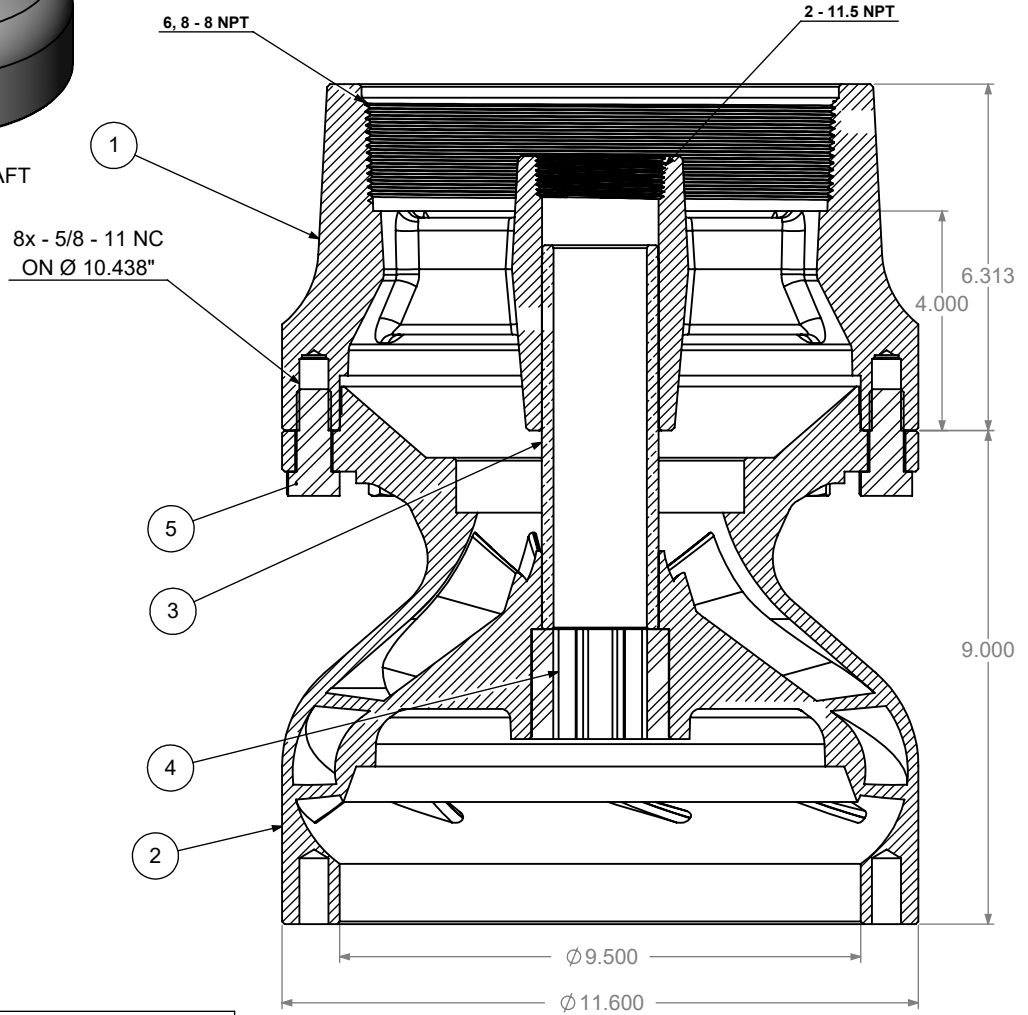
UNLESS OTHERWISE SPECIFIED
 DIMENSIONS ARE IN INCHES

Rev: *0.0.0* SHEET 1 OF 1



FOR 1.688" SHAFT

ASSEMBLY NAME	ASSEMBLY PART No.
Sub Column adapter w bow/brz brg W12 6-TT	W1256060
Sub Column adapter w bow/brz brg W12 8-TT	W1256260



BILL OF MATERIALS

ITEM NO.	PART NAME	QTY	PART No.	MATERIAL
1	SUB COLUMN ADAPTER W12YC 8-TT	1	W1256201	CLASS 40 CAST IRON
2	CLOSED BOWL W12YC COMBINED	1	W1231401	CLASS 40 CAST IRON
3	DISCHARGE CASE BEARING 1.688	1	CT168810113	C-844 BRONZE
4	OCT RUBBER BEARING 1.688 x 2.500 x 2.000	1	CTE168840441	B-72-2 NEOPRENE DURO 70A
5	HEX BOLT 0.625 x 1.500 x 11-NC	8	GRAL62520151	GRADE 5

OPTIONAL

ITEM NO.	PART NAME	PART No.	MATERIAL
1	SUB COLUMN ADAPTER W12YC 8-TT	W1256201	CLASS 40 CAST IRON



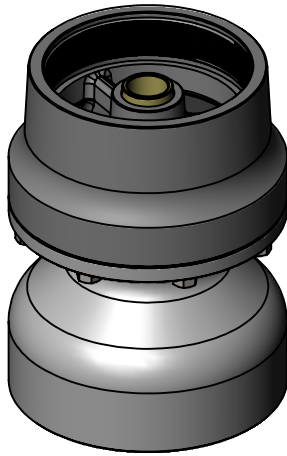
BOMBAS KLASSEN S.A DE C.V
THIS DRAWING IS THE EXCLUSIVE PROPERTY OF
BOMBAS KLASSEN S.A DE C.V

NO USE WHATSOEVER OF THE INFORMATION
CONTAINED HEREON MAY BE USED WITHOUT WRITTEN PERMISSION

DEPARTMENT: *GENERAL*

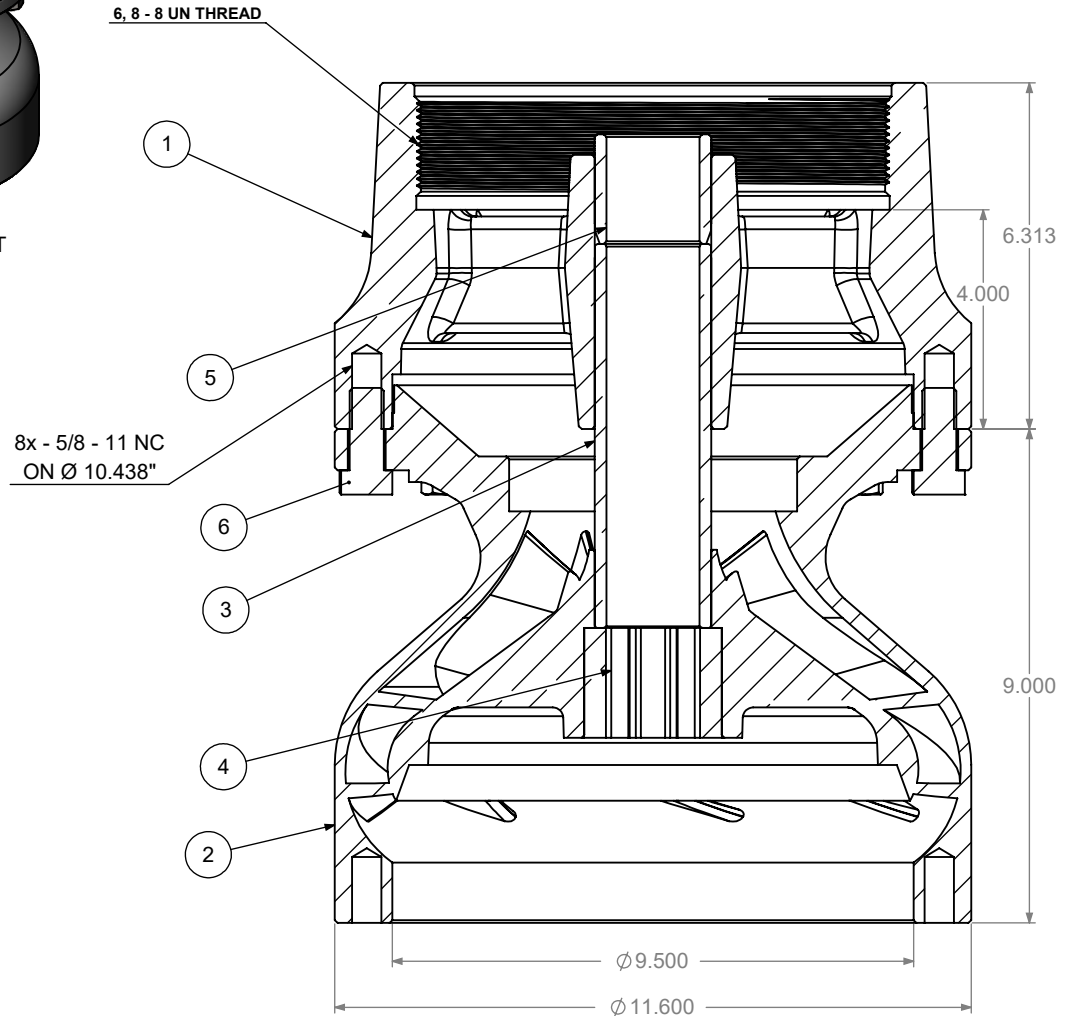
UNLESS OTHERWISE SPECIFIED
DIMENSIONS ARE IN INCHES

Rev: *0.0.0* SHEET 1 OF 1



FOR 1.688" SHAFT

ASSEMBLY NAME	ASSEMBLY PART No.
WL Column adapter w bow/brz brg W12 6-ST	W1255960
WL Column adapter w bow/brz brg W12 8-ST	W1256160



BILL OF MATERIALS

ITEM NO.	PART NAME	QTY	PART No.	MATERIAL
1	WL COLUMN ADAPTER W12YC 8-ST	1	W1256101	CLASS 40 CAST IRON
2	CLOSED BOWL W12YC COMBINED	1	W1231401	CLASS 40 CAST IRON
3	DISCHARGE CASE BEARING 1.688	1	CT168810113	C-844 BRONZE
4	OCT RUBBER BEARING 1.688 x 2.500 x 2.000	1	CTE168840441	B-72-2 NEOPRENE DURO 70A
5	BOWL BRONZE BEARING 1.688 x 2.125 x 2.000	1	CT168811413	C-844 BRONZE
6	HEX BOLT 0.625 x 1.500 x 11-NC	8	GRAL62520151	GRADE 5

OPTIONAL

ITEM NO.	PART NAME	PART No.	MATERIAL
1	WL COLUMN ADAPTER W12YC 8-ST	W1256101	CLASS 40 CAST IRON



BOMBAS KLASSEN S.A DE C.V
THIS DRAWING IS THE EXCLUSIVE PROPERTY OF
BOMBAS KLASSEN S.A DE C.V

NO USE WHATSOEVER OF THE INFORMATION
CONTAINED HEREON MAY BE USED WITHOUT WRITTEN PERMISSION

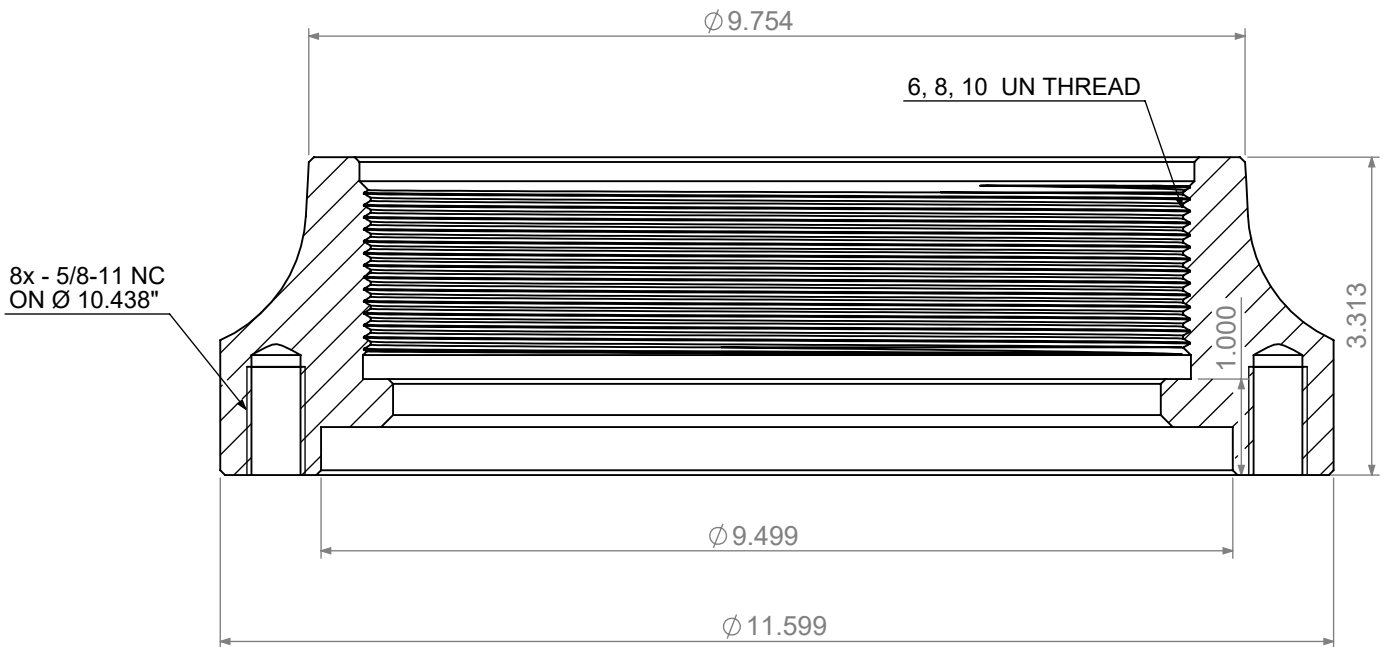
DEPARTMENT: *GENERAL*

UNLESS OTHERWISE SPECIFIED
DIMENSIONS ARE IN INCHES

Rev: *0.0.0* SHEET 1 OF 1



ASSEMBLY NAME	ASSEMBLY PART No.	MATERIAL
Column adapter W12YC 6-ST	W1250901	CLASS 40 CAST IRON
Column adapter W12YC 8-ST	W1251101	CLASS 40 CAST IRON
Column adapter W12YC 10-ST	W1251301	CLASS 40 CAST IRON
Column adapter W12YC 6-TT	W1251001	CLASS 40 CAST IRON
Column adapter W12YC 8-TT	W1251201	CLASS 40 CAST IRON
Column adapter W12YC 10-TT	W1251401	CLASS 40 CAST IRON



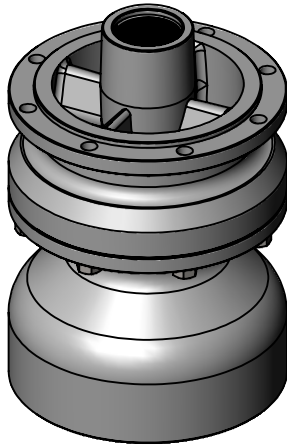
BOMBAS KLASSEN S.A DE C.V
 THIS DRAWING IS THE EXCLUSIVE PROPERTY OF
BOMBAS KLASSEN S.A DE C.V

NO USE WHATSOEVER OF THE INFORMATION
 CONTAINED HEREON MAY BE USED WITHOUT WRITTEN PERMISSION

UNLESS OTHERWISE SPECIFIED
 DIMENSIONS ARE IN INCHES

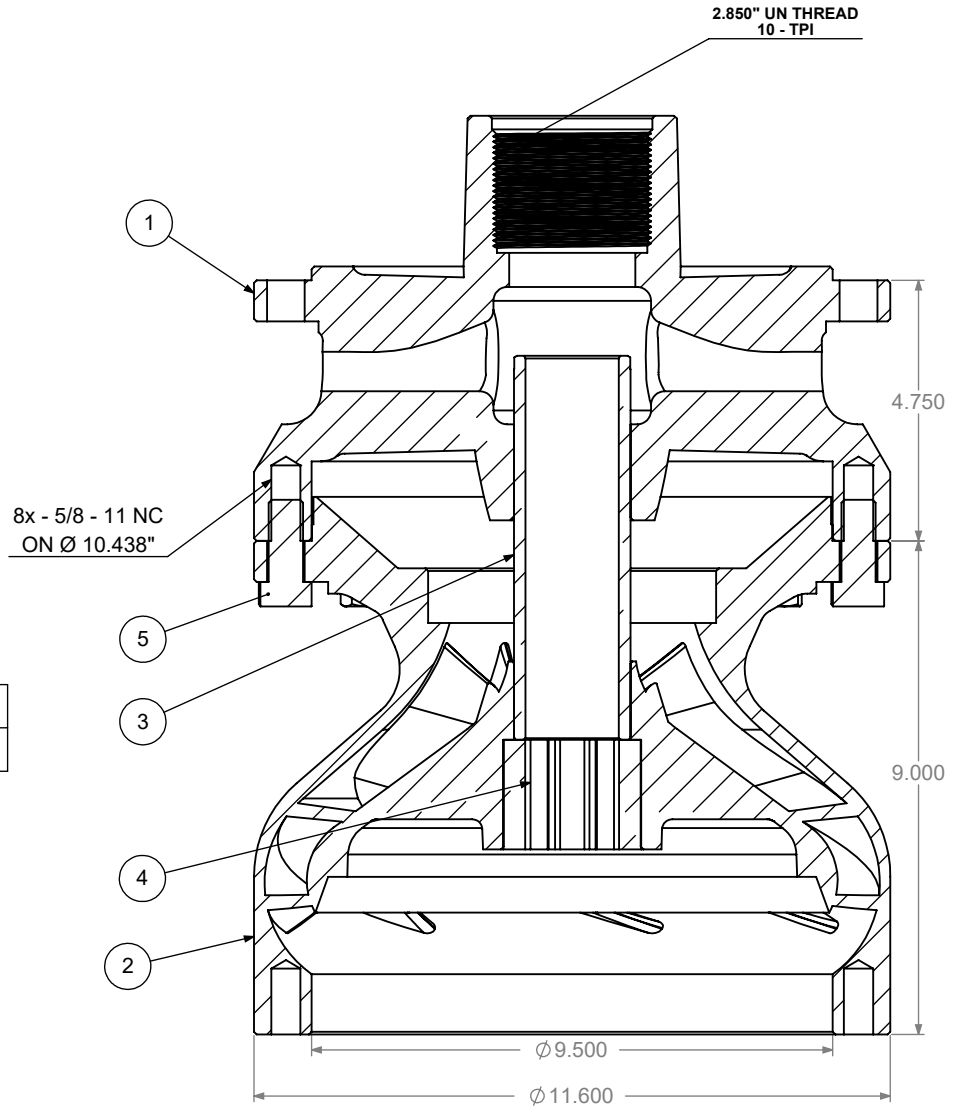
DEPARTMENT: *GENERAL*

Rev: *0.0.0* SHEET 1 OF 1



FOR 1.688" SHAFT

ASSEMBLY NAME	ASSEMBLY PART No.
Discharge w/ enc. bowl and dual brgs W12 2.5-LH	W1222060
Discharge w/ enc. bowl and dual brgs W12 2.5-RH	W1222160



RH = RIGHT HAND
LH = LEFT HAND

BILL OF MATERIALS

ITEM NO.	PART NAME	QTY	PART No.	MATERIAL
1	DISCHARGE CASE W12YC LH	1	W1220301	CLASS 40 CAST IRON
2	CLOSED BOWL W12YC COMBINED	1	W1231401	CLASS 40 CAST IRON
3	DISCHARGE CASE BEARING 1.688	1	CT168810113	C-844 BRONZE
4	OCT RUBBER BEARING 1.688 x 2.500 x 2.000	1	CTE168840441	B-72-2 NEOPRENE DURO 70A
5	HEX BOLT 0.625 x 1.500 x 11-NC	8	GRAL62520151	GRADE 5

OPTIONAL

ITEM NO.	PART NAME	PART No.	MATERIAL
1	DISCHARGE CASE W12YC 2.5-RH	W1221301	CLASS 40 CAST IRON



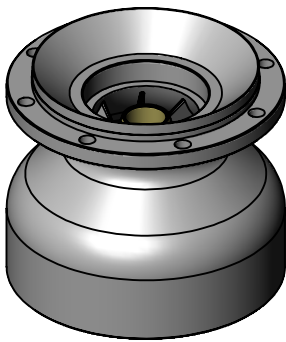
BOMBAS KLASSEN S.A DE C.V.
THIS DRAWING IS THE EXCLUSIVE PROPERTY OF
BOMBAS KLASSEN S.A DE C.V.

NO USE WHATSOEVER OF THE INFORMATION
CONTAINED HEREON MAY BE USED WITHOUT WRITTEN PERMISSION

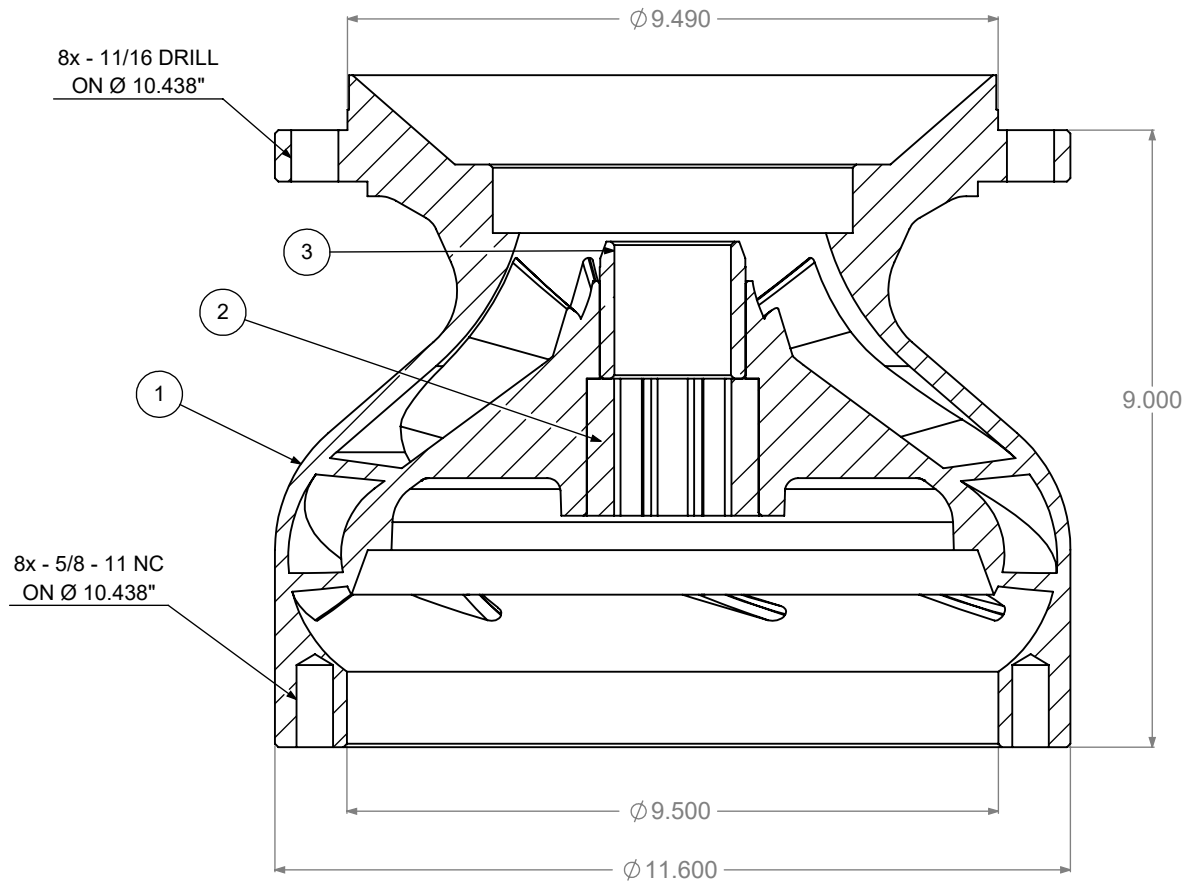
DEPARTMENT: *GENERAL*

UNLESS OTHERWISE SPECIFIED
DIMENSIONS ARE IN INCHES

Rev: *0.0.0* SHEET 1 OF 1



ASSEMBLY NAME	ASSEMBLY PART No.
Closed Bowl w/ dual brgs W12YC	W1231460



BILL OF MATERIALS

ITEM NO.	PART NAME	QTY	PART No.	MATERIAL
1	CLOSED BOWL W12YC COMBINED	1	W1231401	CLASS 40 CAST IRON
2	OCT RUBBER BEARING 1.688 x 2.500 x 2.000	1	CTE168840441	B-72-2 NEOPRENE DURO 70A
3	BOWL BRONZE BEARING 1.688 x 2.125 x 2.000	1	CT168811413	C-844 BRONZE



BOMBAS KLASSEN S.A DE C.V
 THIS DRAWING IS THE EXCLUSIVE PROPERTY OF
BOMBAS KLASSEN S.A DE C.V

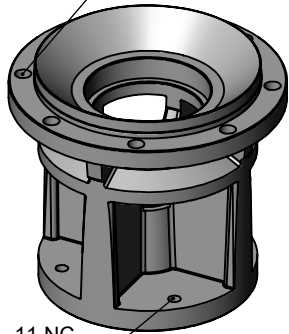
NO USE WHATSOEVER OF THE INFORMATION
 CONTAINED HEREON MAY BE USED WITHOUT WRITTEN PERMISSION

DEPARTMENT: *MACHINING*

UNLESS OTHERWISE SPECIFIED
 DIMENSIONS ARE IN INCHES

Rev: *0.0.0* SHEET 1 OF 1

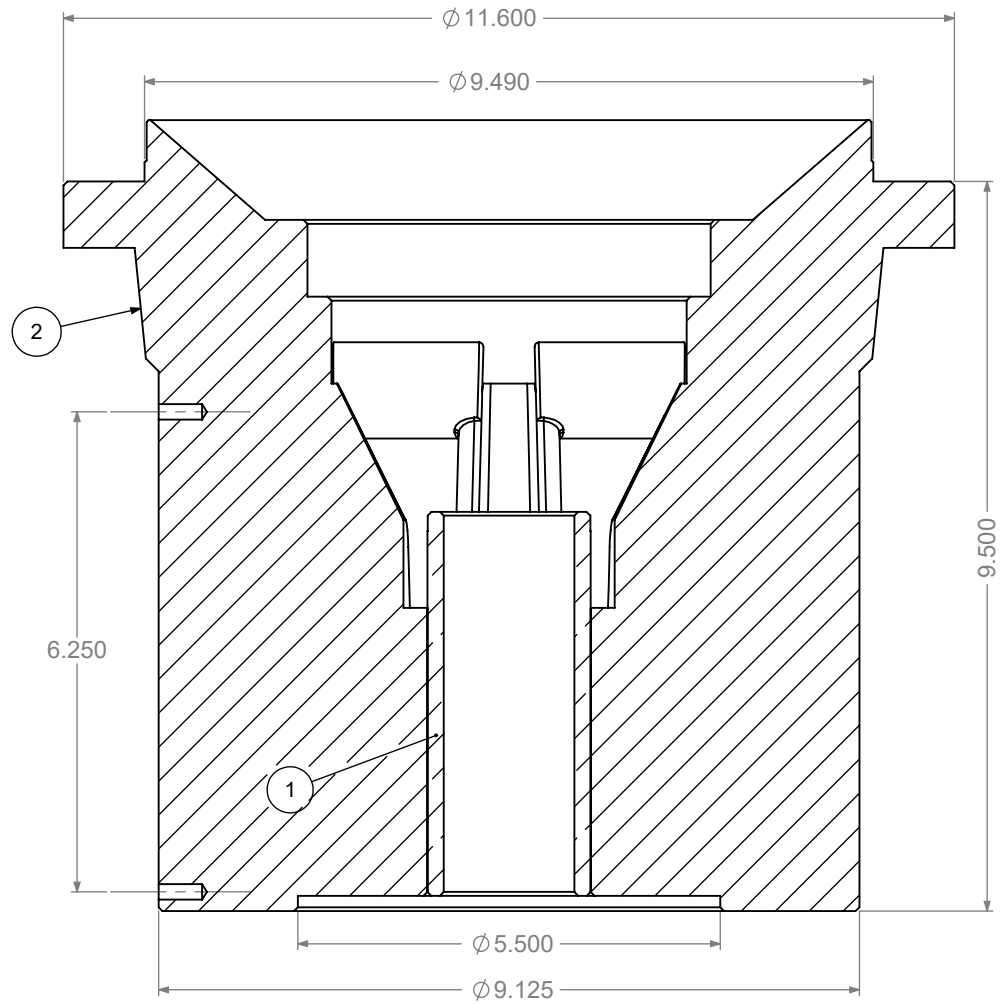
8x - 11/16 DRILL
ON Ø 10.438"



4x - 5/8 - 11 NC
ON Ø 7.500"

FOR 1.688" SHAFT

ASSEMBLY NAME	ASSEMBLY PART No.
Sub suction case w/brz bearing W12YC closed	W1244660



BILL OF MATERIALS

ITEM No.	NAME	QTY	PART No.	MATERIAL
1	SUCTION CASE BEARING 1.688 x 2.125 x 5.000	1	CT168811213	C-844 BRONZE
2	SUB SUCTION CASA W12YC CLOSED	1	W1244601	CLASS 40 CAST IRON



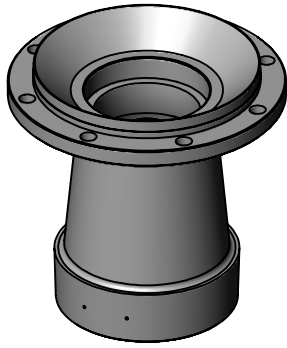
BOMBAS KLASSEN S.A DE C.V
THIS DRAWING IS THE EXCLUSIVE PROPERTY OF
BOMBAS KLASSEN S.A DE C.V

NO USE WHATSOEVER OF THE INFORMATION
CONTAINED HEREON MAY BE USED WITHOUT WRITTEN PERMISSION

DEPARTMENT: *GENERAL*

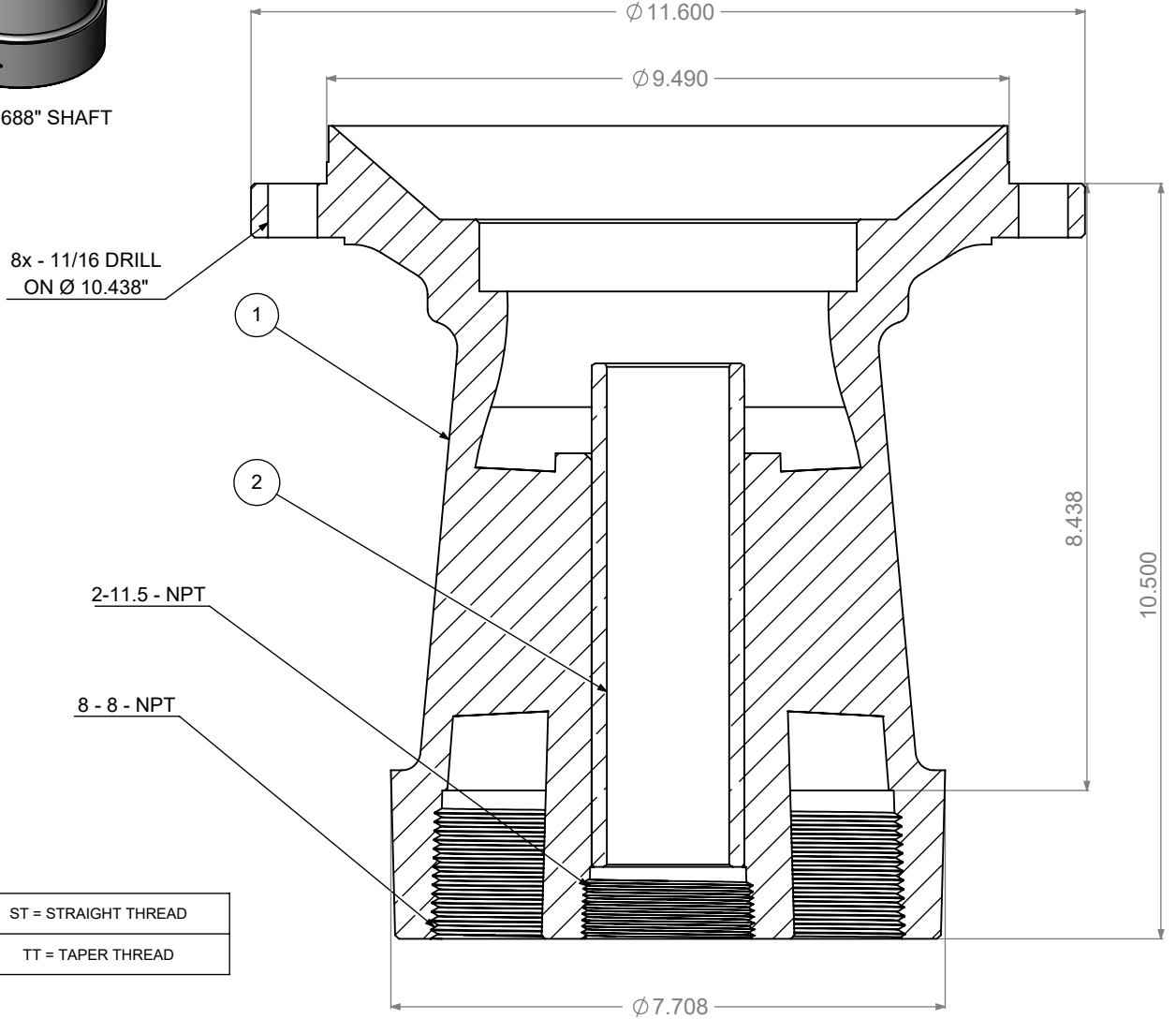
UNLESS OTHERWISE SPECIFIED
DIMENSIONS ARE IN INCHES

Rev: *0.0.0* SHEET 1 OF 1



FOR 1.688" SHAFT

ASSEMBLY NAME	ASSEMBLY PART No.
Suction case w/brz bearing W12YC closed 6-ST	W1241560
Suction case w/brz bearing W12YC closed 6-TT	W1241660



ST = STRAIGHT THREAD
TT = TAPER THREAD

BILL OF MATERIALS

ITEM NO.	PART NAME	QTY	PART No.	MATERIAL
1	SUCTION CASE W12YC CLOSED 6-TT	1	W1241601	CLASS 40 CAST IRON
2	DISCHARGE CASE BEARING 1.688	1	CT168810113	C-844 BRONZE

OPTIONAL

ITEM NO.	PART NAME	PART No.	MATERIAL
1	SUCTION CASE W12YC CLOSED 6-ST	W1241501	CLASS 40 CAST IRON



BOMBAS KLASSEN S.A DE C.V.
 THIS DRAWING IS THE EXCLUSIVE PROPERTY OF
BOMBAS KLASSEN S.A DE C.V.

NO USE WHATSOEVER OF THE INFORMATION
 CONTAINED HEREON MAY BE USED WITHOUT WRITTEN PERMISSION

DEPARTMENT: *GENERAL*

UNLESS OTHERWISE SPECIFIED
 DIMENSIONS ARE IN INCHES

Rev: *0.0.0* SHEET 1 OF 1