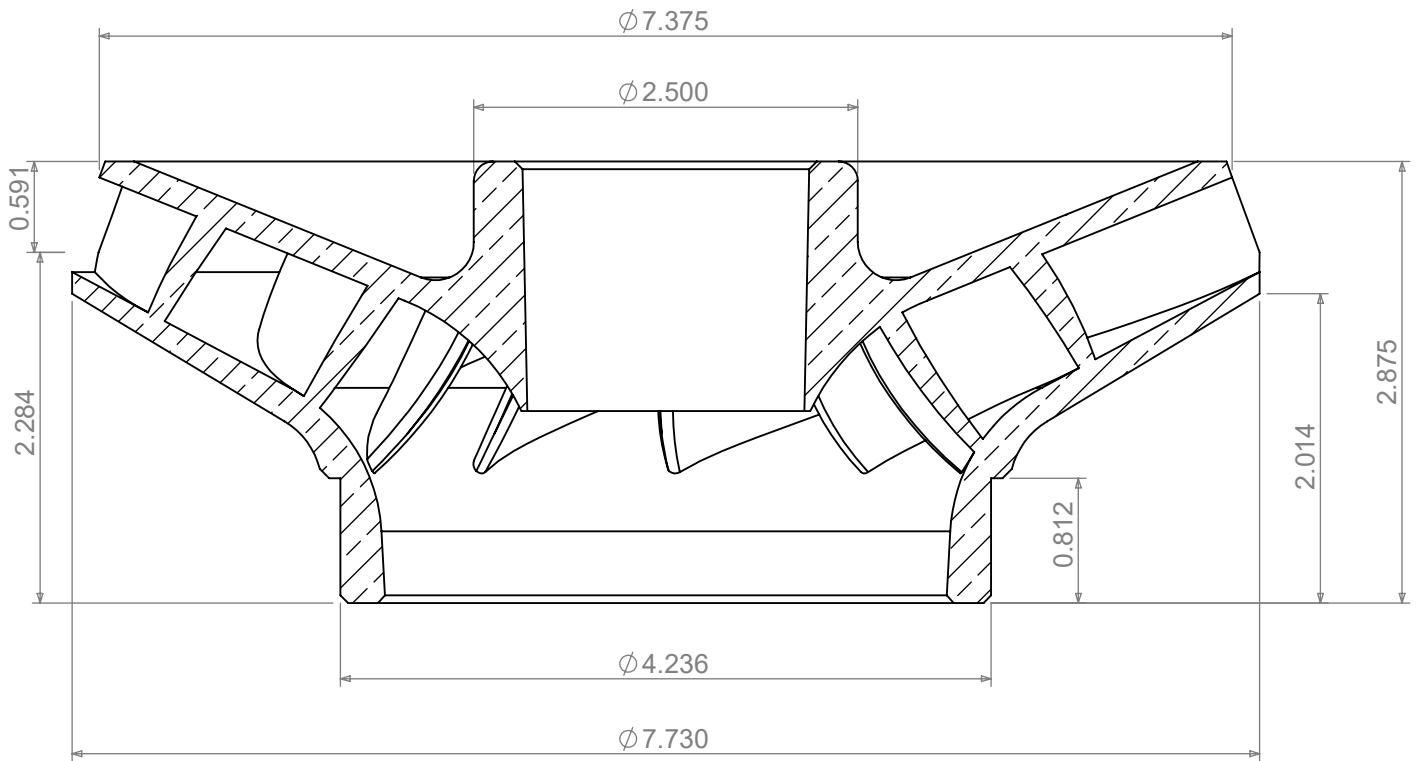


FOR 1.500" SHAFT

NAME	PART No.	MATERIAL
CLOSED IMPELLER W10LC	W1011503	CDA836 Pb RED BRASS
CLOSED IMPELLER W10HC	W1011903	CDA836 Pb RED BRASS



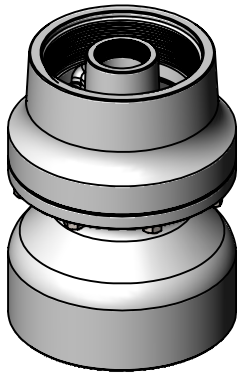
**BOMBAS KLASSEN S.A DE C.V**  
 THIS DRAWING IS THE EXCLUSIVE PROPERTY OF  
**BOMBAS KLASSEN S.A DE C.V**

NO USE WHATSOEVER OF THE INFORMATION  
 CONTAINED HEREON MAY BE USED WITHOUT WRITTEN PERMISSION

UNLESS OTHERWISE SPECIFIED  
 DIMENSIONS ARE IN INCHES

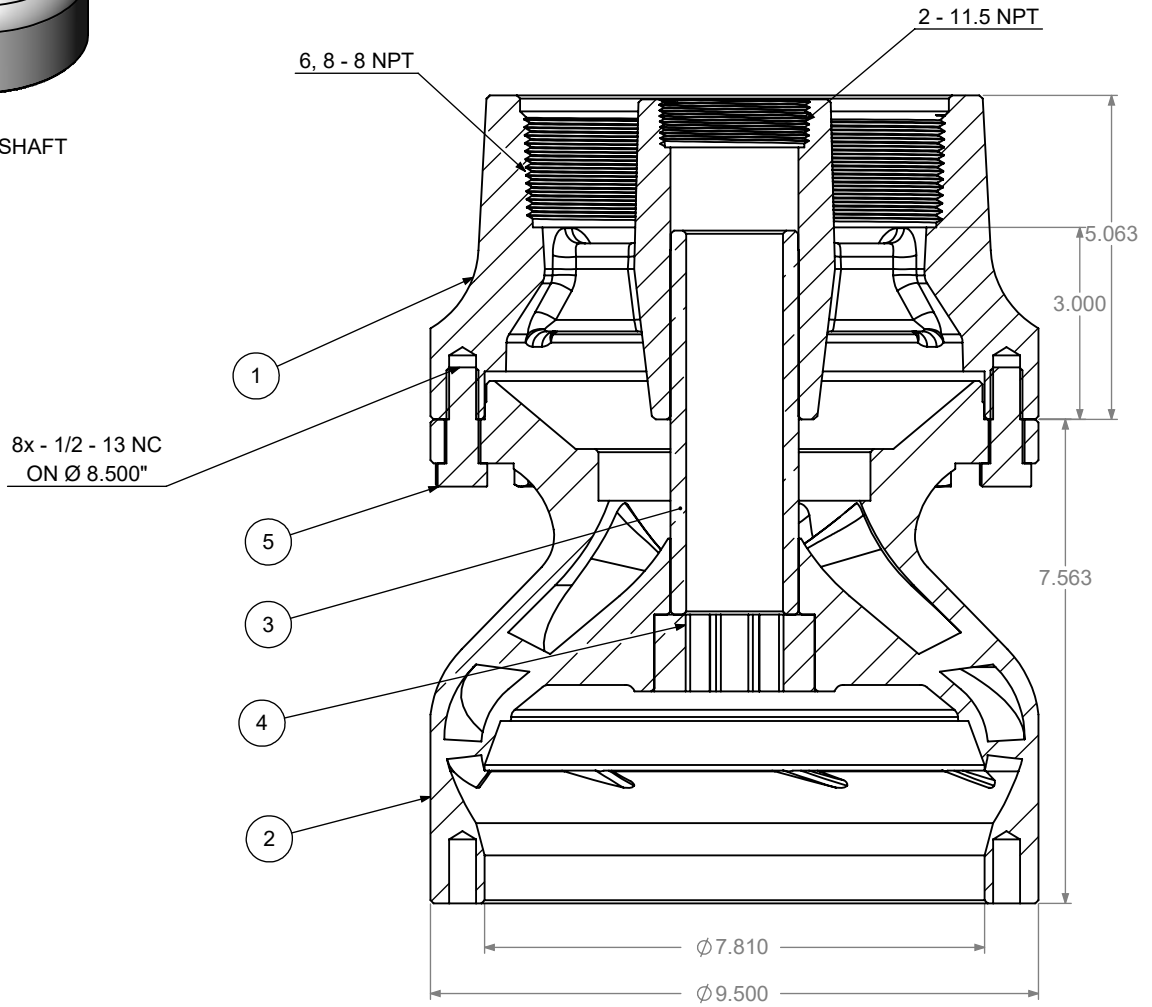
DEPARTMENT: *GENERAL*

Rev: *0.0.0* SHEET 1 OF 1



FOR 1.500" SHAFT

ASSEMBLY NAME	ASSEMBLY PART No.
Sub Column adapter w bowl/brz brg W10 6-TT	W1056060
Sub Column adapter w bowl/brz brg W10 8-TT	W1056260



**BILL OF MATERIALS**

ITEM NO.	PART NAME	QTY	PART No.	MATERIAL
1	SUB COLUMN ADAPTER W10YC 6-TT	1	W1056001	CLASS 40 CAST IRON
2	CLOSED BOWL W10YC COMBINED	1	W1031301	CLASS 40 CAST IRON
3	DISCHARGE BEARING 1.500 x 2.000 x 6.000	1	CT150010213	C-844 BRONZE
4	OCT RUBBER BEARING 1.500 x 2.500 x 1.500	1	CTE150040641	B-72-2 NEOPRENE DURO 70A
5	HEX BOLT 0.500 x 1.500	8	GRAL50020451	GRADE 5

**OPTIONAL**

ITEM NO.	PART NAME	PART No.	MATERIAL
1	SUB COLUMN ADAPTER W10YC 8-TT	W1056201	CLASS 40 CAST IRON



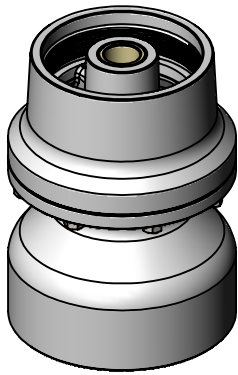
**BOMBAS KLASSEN S.A DE C.V**  
THIS DRAWING IS THE EXCLUSIVE PROPERTY OF  
**BOMBAS KLASSEN S.A DE C.V**

NO USE WHATSOEVER OF THE INFORMATION  
CONTAINED HEREON MAY BE USED WITHOUT WRITTEN PERMISSION

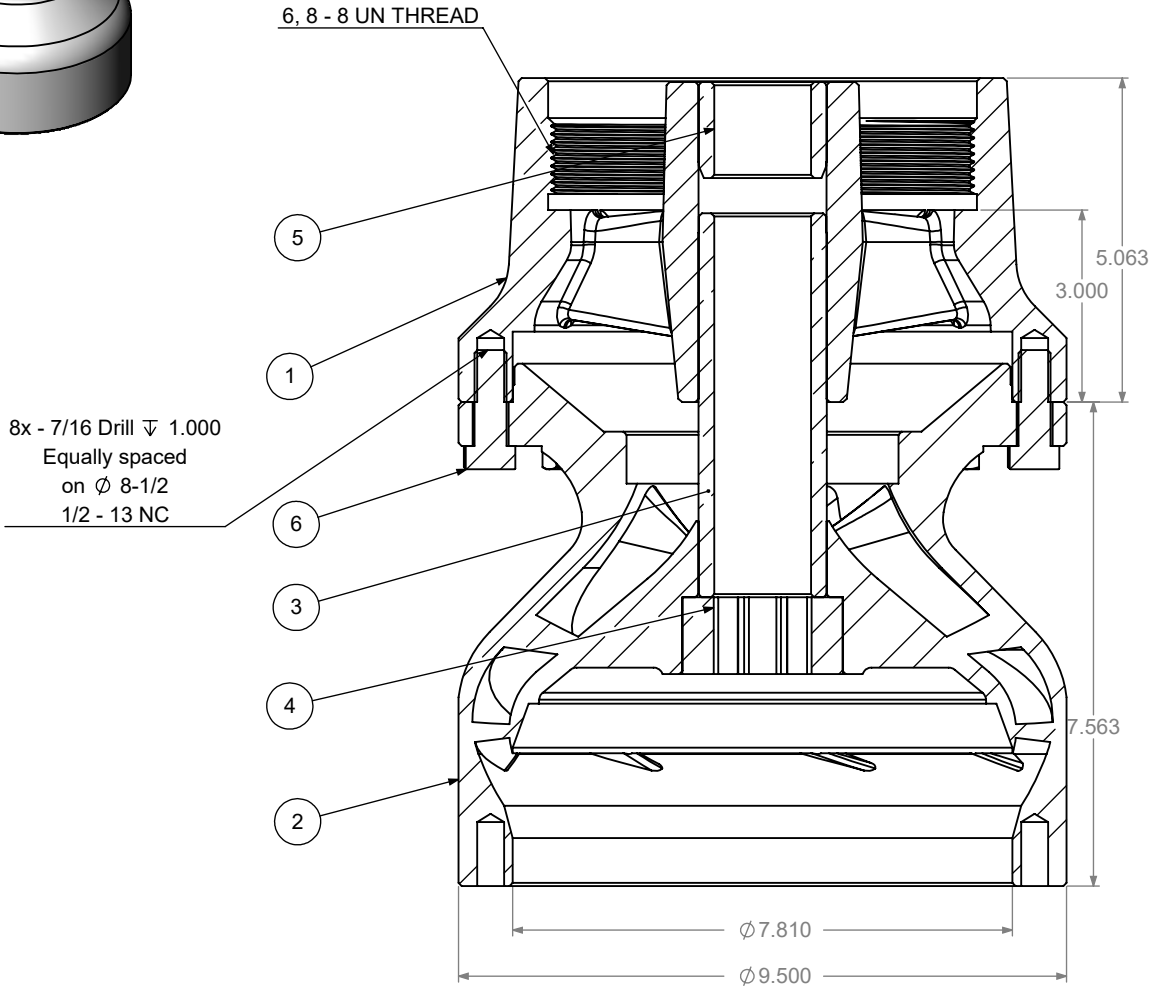
DEPARTMENT: *GENERAL*

UNLESS OTHERWISE SPECIFIED  
DIMENSIONS ARE IN INCHES

Rev: *0.0.0* SHEET 1 OF 1



ASSEMBLY NAME	ASSEMBLY PART No.
WL Column adapter w bowl/brz brg W10 6-ST	W1055960
WL Column adapter w bowl/brz brg W10 8-ST	W1056160



**BILL OF MATERIALS**

ITEM NO.	PART NAME	QTY	PART No.	MATERIAL
1	WL COLUMN ADAPTER W10YC 6-ST	1	W1055901	CLASS 40 CAST IRON
2	CLOSED BOWL W10YC COMBINED	1	W1031301	CLASS 40 CAST IRON
3	DISCHARGE BEARING 1.500 x 2.000 x 6.000	1	CT150010213	C-844 BRONZE
4	OCT RUBBER BEARING 1.500 x 2.500 x 1.500	1	CTE150040641	B-72-2 NEOPRENE DURO 70A
5	BOWL BRONZE BEARING 1.500 x 2.000 x 1.500	1	CT150011413	C-844 BRONZE
6	HEX BOLT 0.500 x 1.500	8	GRAL50020451	GRADE 5

**OPTIONAL**

ITEM NO.	PART NAME	PART No.	MATERIAL
1	WL COLUMN ADAPTER W10YC 8-ST	W1256101	CLASS 40 CAST IRON



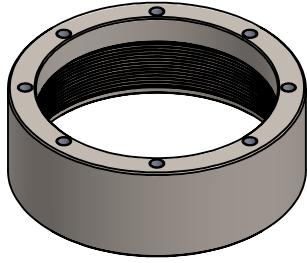
**BOMBAS KLASSEN S.A DE C.V**  
THIS DRAWING IS THE EXCLUSIVE PROPERTY OF  
**BOMBAS KLASSEN S.A DE C.V**

NO USE WHATSOEVER OF THE INFORMATION  
CONTAINED HEREON MAY BE USED WITHOUT WRITTEN PERMISSION

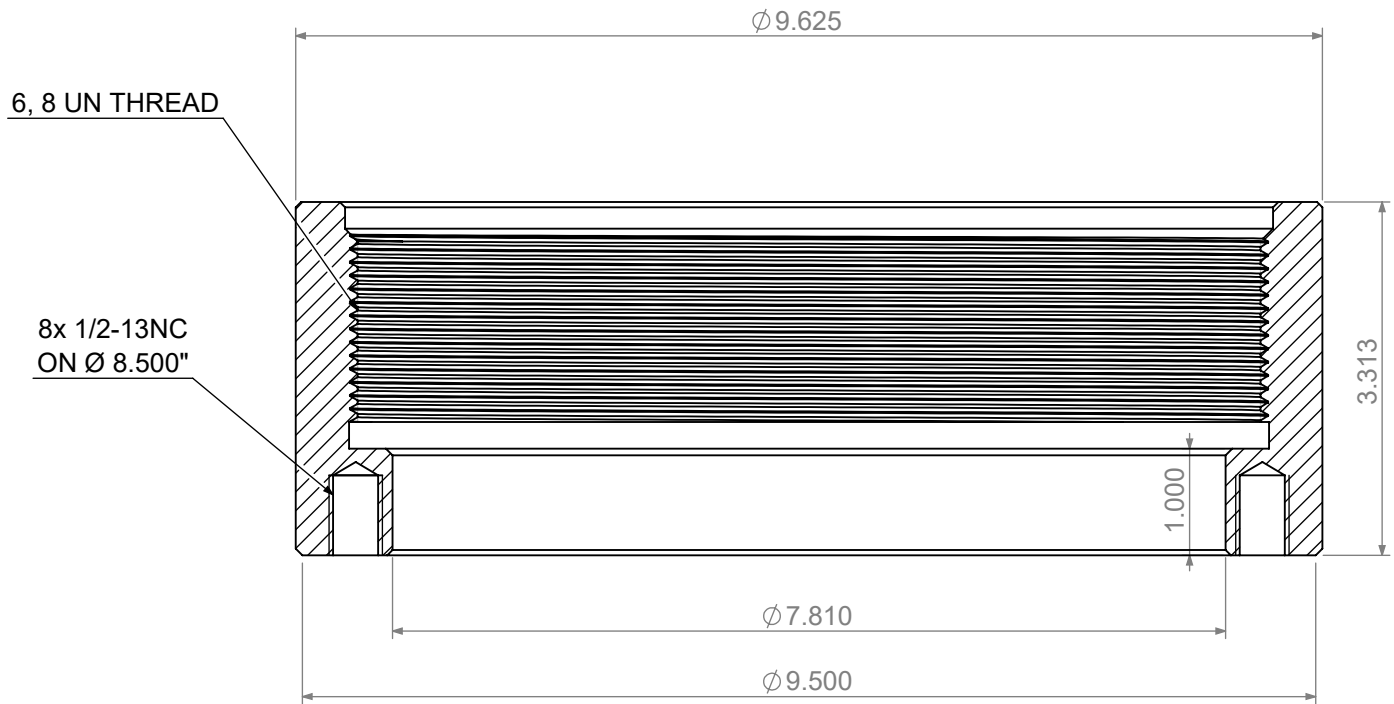
DEPARTMENT: *MACHINING*

UNLESS OTHERWISE SPECIFIED  
DIMENSIONS ARE IN INCHES

Rev: *0.0.0* SHEET 1 OF 1



NAME	PART No.	MATERIAL
COLUMN ADAPTER W10 F10 6-ST	W1050901	CLASS 40 CAST IRON
COLUMN ADAPTER W10 F10 8-ST	W1051101	CLASS 40 CAST IRON
COLUMN ADAPTER W10 F10 6-TT	W1051001	CLASS 40 CAST IRON
COLUMN ADAPTER W10 F10 8-TT	W1051201	CLASS 40 CAST IRON



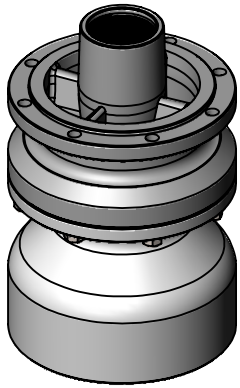
**BOMBAS KLASSEN S.A DE C.V**  
 THIS DRAWING IS THE EXCLUSIVE PROPERTY OF  
**BOMBAS KLASSEN S.A DE C.V**

NO USE WHATSOEVER OF THE INFORMATION  
 CONTAINED HEREON MAY BE USED WITHOUT WRITTEN PERMISSION

DEPARTMENT: *GENERAL*

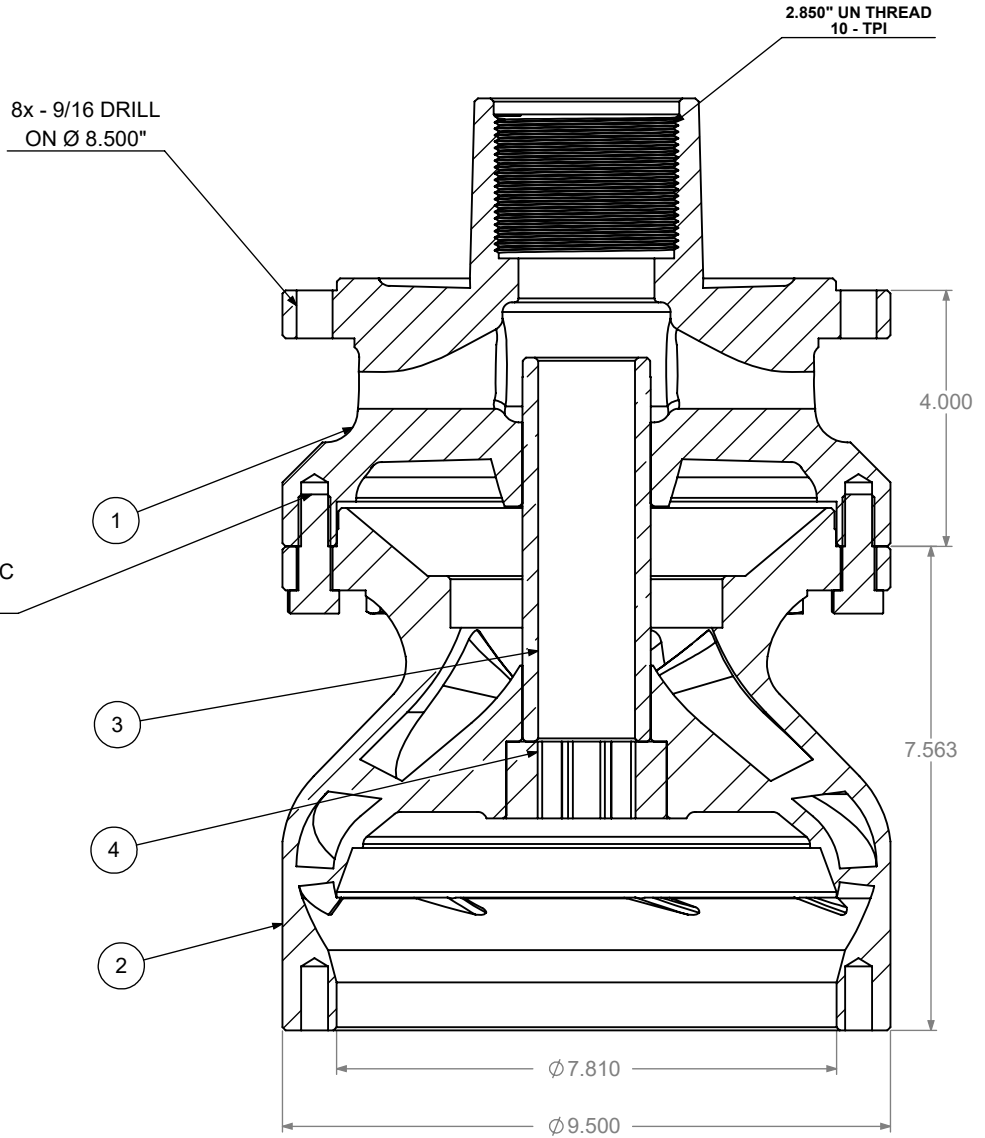
UNLESS OTHERWISE SPECIFIED  
 DIMENSIONS ARE IN INCHES

Rev: *0.0.0* SHEET 1 OF 1



FOR 1.500" SHAFT

ASSEMBLY NAME	ASSEMBLY PART No.
Discharge w/ enc. bowl and dual brgs W10 2.5-LH	W1022060
Discharge w/ enc. bowl and dual brgs W10 2.5-RH	W1022160



RH = RIGHT HAND
LH = LEFT HAND

**BILL OF MATERIALS**

ITEM NO.	PART NAME	QTY	PART No.	MATERIAL
1	DISCHARGE W10YC 2.5-RH	1	W1020301	CLASS 40 CAST IRON
2	CLOSED BOWL W10YC COMBINED	1	W1031301	CLASS 40 CAST IRON
3	DISCHARGE BEARING 1.500 x 2.000 x 6.000	1	CT150010213	C-844 BRONZE
4	OCT RUBBER BEARING 1.500 x 2.500 x 1.500	1	CTE150040641	B-72-2 NEOPRENE DURO 70A
5	HEX BOLT 0.500 x 1.500	8	GRAL50020451	GRADE 5

**OPTIONAL**

ITEM NO.	PART NAME	PART No.	MATERIAL
1	DISCHARGE W10YC 2.5-RH	W1021301	CLASS 40 CAST IRON



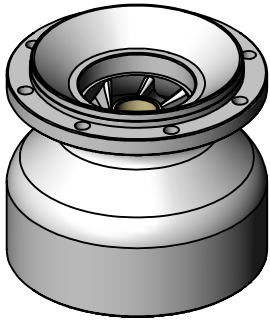
**BOMBAS KLASSEN S.A DE C.V**  
 THIS DRAWING IS THE EXCLUSIVE PROPERTY OF  
**BOMBAS KLASSEN S.A DE C.V**

NO USE WHATSOEVER OF THE INFORMATION  
 CONTAINED HEREON MAY BE USED WITHOUT WRITTEN PERMISSION

DEPARTMENT: *GENERAL*

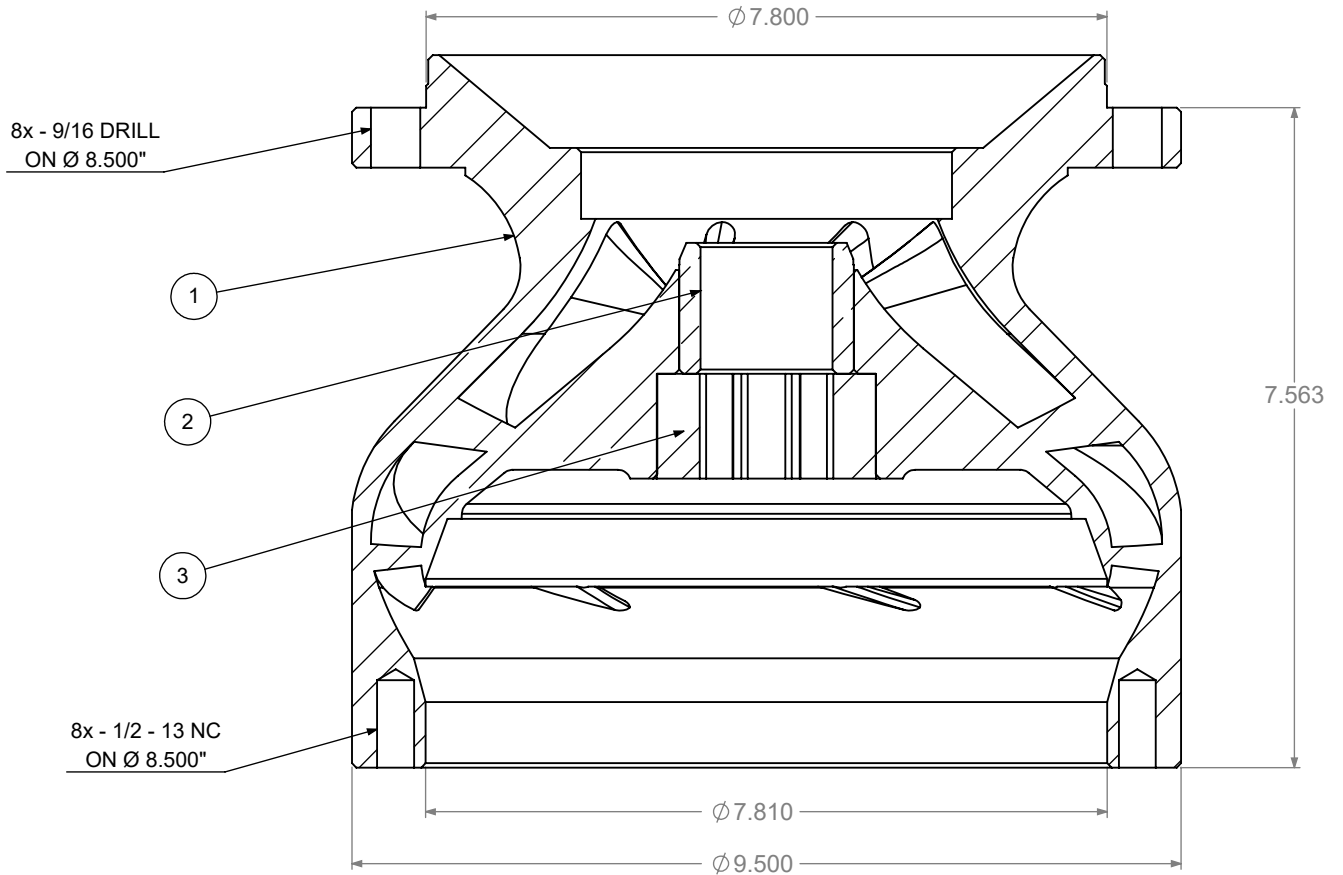
UNLESS OTHERWISE SPECIFIED  
 DIMENSIONS ARE IN INCHES

Rev: *0.0.0* SHEET 1 OF 1



FOR 1.500" SHAFT

ASSEMBLY NAME	ASSEMBLY PART No.
Closed Bowl w/ dual brgs W10YC CI	W1031460



BILL OF MATERIALS

ITEM NO.	PART NAME	QTY	PART No.	MATERIAL
1	CLOSED BOWL R10YC COMBINED	1	W1031301	CLASS 40 CAST IRON
2	BOWL BRONZE BEARING 1.500 x 2.000 x 1.500	1	CT150011413	C-844 BRONZE
3	OCT RUBBER BEARING 1.500 x 2.500 x 1.500	1	CTE150040641	B-72-2 NEOPRENE DURO 70A



**BOMBAS KLASSEN S.A DE C.V**  
 THIS DRAWING IS THE EXCLUSIVE PROPERTY OF  
**BOMBAS KLASSEN S.A DE C.V**

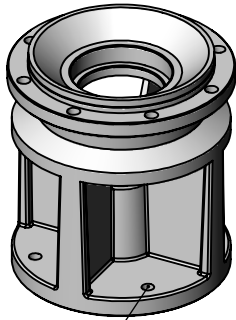
NO USE WHATSOEVER OF THE INFORMATION  
 CONTAINED HEREON MAY BE USED WITHOUT WRITTEN PERMISSION

DEPARTMENT: *GENERAL*

UNLESS OTHERWISE SPECIFIED  
 DIMENSIONS ARE IN INCHES

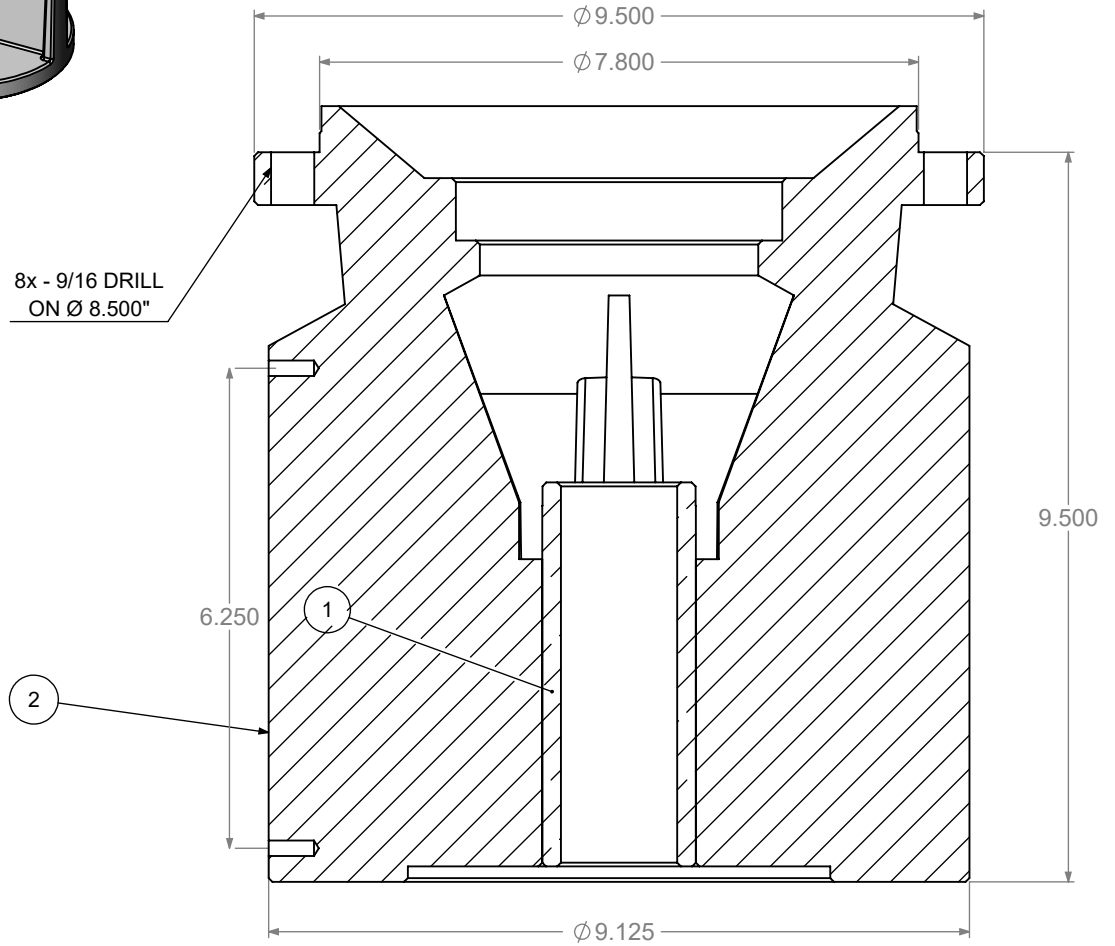
Rev: *0.0.0* SHEET 1 OF 1

ASSEMBLY NAME	ASSEMBLY PART No.
Sub suction case w/brz bearing W10YC closed	W1044660



4x - 5/8 - 11NC  
ON Ø 7.500"

8x - 9/16 DRILL  
ON Ø 8.500"



**BILL OF MATERIALS**

ITEM NO.	PART NAME	QTY	PART No.	MATERIAL
1	SUB SUCTION CASE W10YC	1	W1044601	CLASS 40 CAST IRON
2	SUCTION BOWL BEARING 1.500 x 2.000 x 5.000	1	CT150012113	C-844 BRONZE



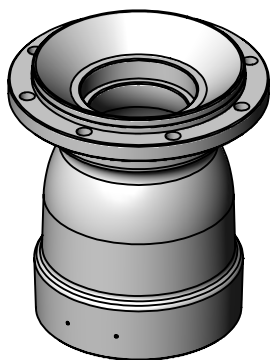
**BOMBAS KLASSEN S.A DE C.V**  
THIS DRAWING IS THE EXCLUSIVE PROPERTY OF  
**BOMBAS KLASSEN S.A DE C.V**

NO USE WHATSOEVER OF THE INFORMATION  
CONTAINED HEREON MAY BE USED WITHOUT WRITTEN PERMISSION

DEPARTMENT: *GENERAL*

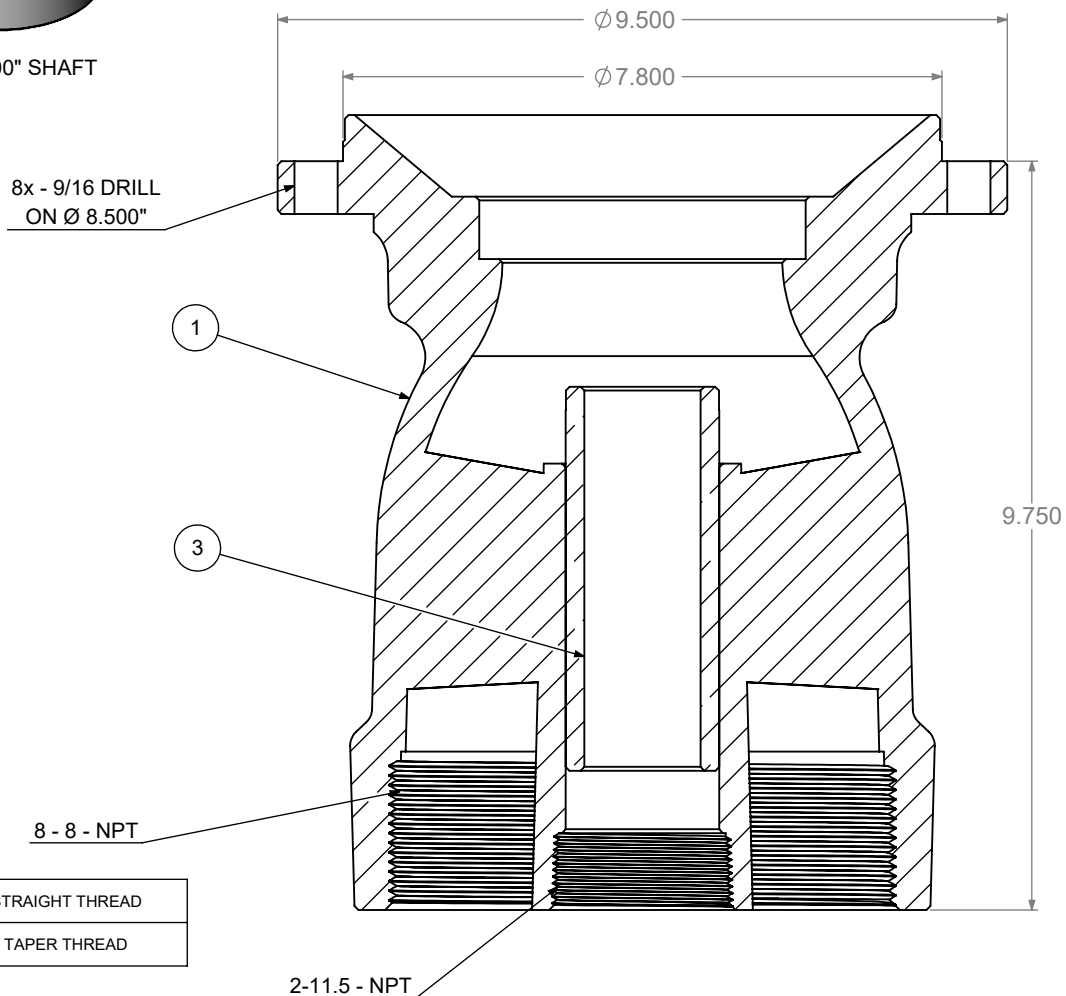
UNLESS OTHERWISE SPECIFIED  
DIMENSIONS ARE IN INCHES

Rev: *0.0.0* SHEET 1 OF 1



FOR 1.500" SHAFT

ASSEMBLY NAME	ASSEMBLY PART No.
Suction case w/brz bearing W10YC closed 6-TT	W1041660
Suction case w/brz bearing W10YC closed 6-ST	W1041560



**BILL OF MATERIALS**

ITEM No.	PART NAME	PART No.	MATERIAL
1	SUCTION CASE W10YC 6-TT	W1041601	CLASS 40 CAST IRON
2	SUCTION BOWL BEARING 1.500 x 2.000 x 5.000	CT150012113	C-844 BRONZE

**OPTIONAL**

ITEM NO.	PART NAME	PART No.	MATERIAL
1	SUCTION CASE W10YC 6-ST	W1041501	CLASS 40 CAST IRON



**BOMBAS KLASSEN S.A DE C.V**  
THIS DRAWING IS THE EXCLUSIVE PROPERTY OF  
**BOMBAS KLASSEN S.A DE C.V**

NO USE WHATSOEVER OF THE INFORMATION  
CONTAINED HEREON MAY BE USED WITHOUT WRITTEN PERMISSION

DEPARTMENT: *GENERAL*

UNLESS OTHERWISE SPECIFIED  
DIMENSIONS ARE IN INCHES

Rev: *0.0.0* SHEET 1 OF 1