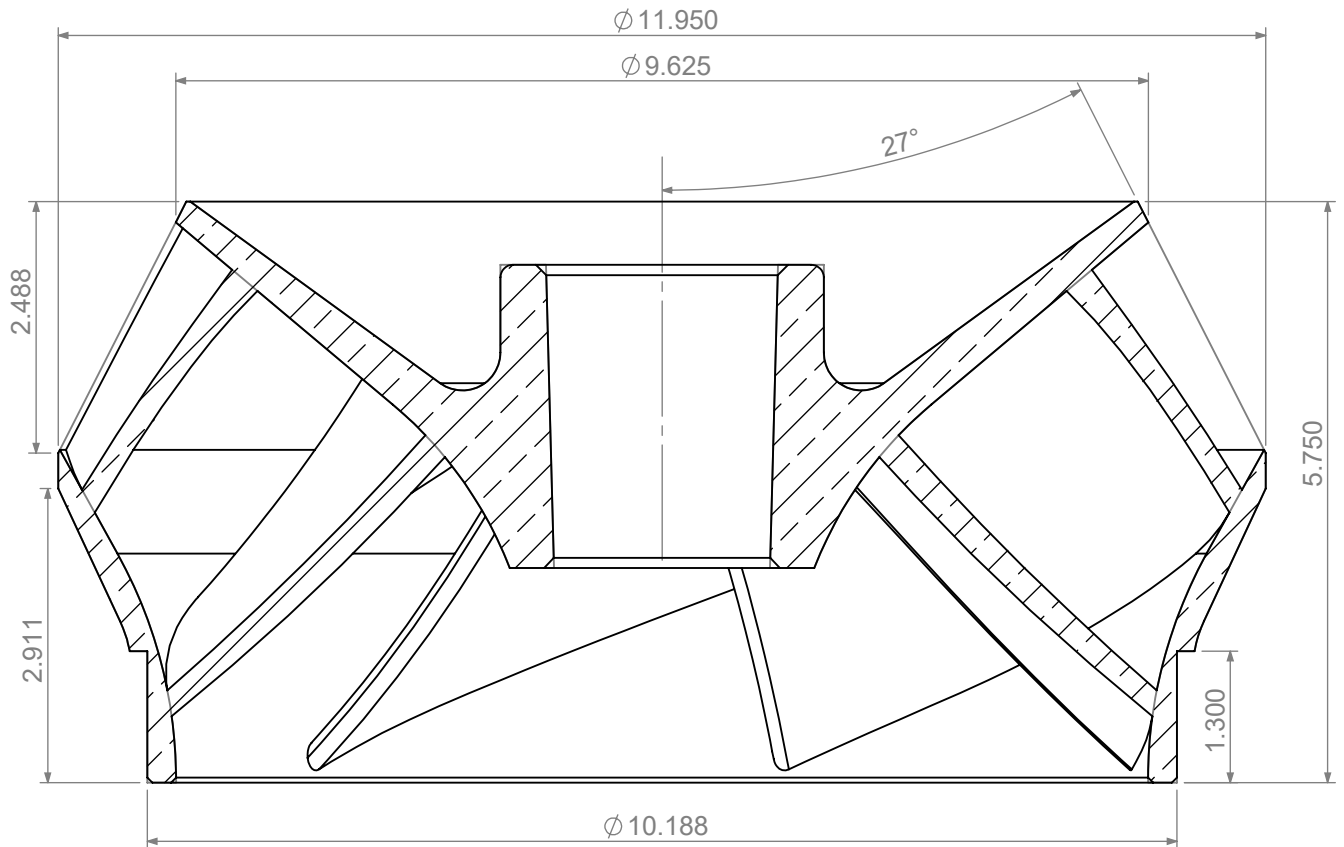


FOR 1.938" SHAFT

NAME	PART No.	MATERIAL
CLOSED IMPELLER SF15MC	SF1511603	CDA836 PB RED BRASS



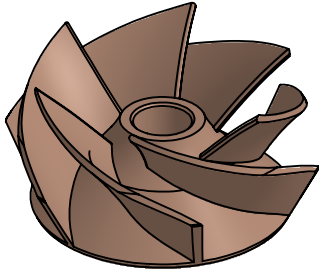
**BOMBAS KLASSEN S.A DE C.V**  
 THIS DRAWING IS THE EXCLUSIVE PROPERTY OF  
**BOMBAS KLASSEN S.A DE C.V**

NO USE WHATSOEVER OF THE INFORMATION  
 CONTAINED HEREON MAY BE USED WITHOUT WRITTEN PERMISSION

UNLESS OTHERWISE SPECIFIED  
 DIMENSIONS ARE IN INCHES

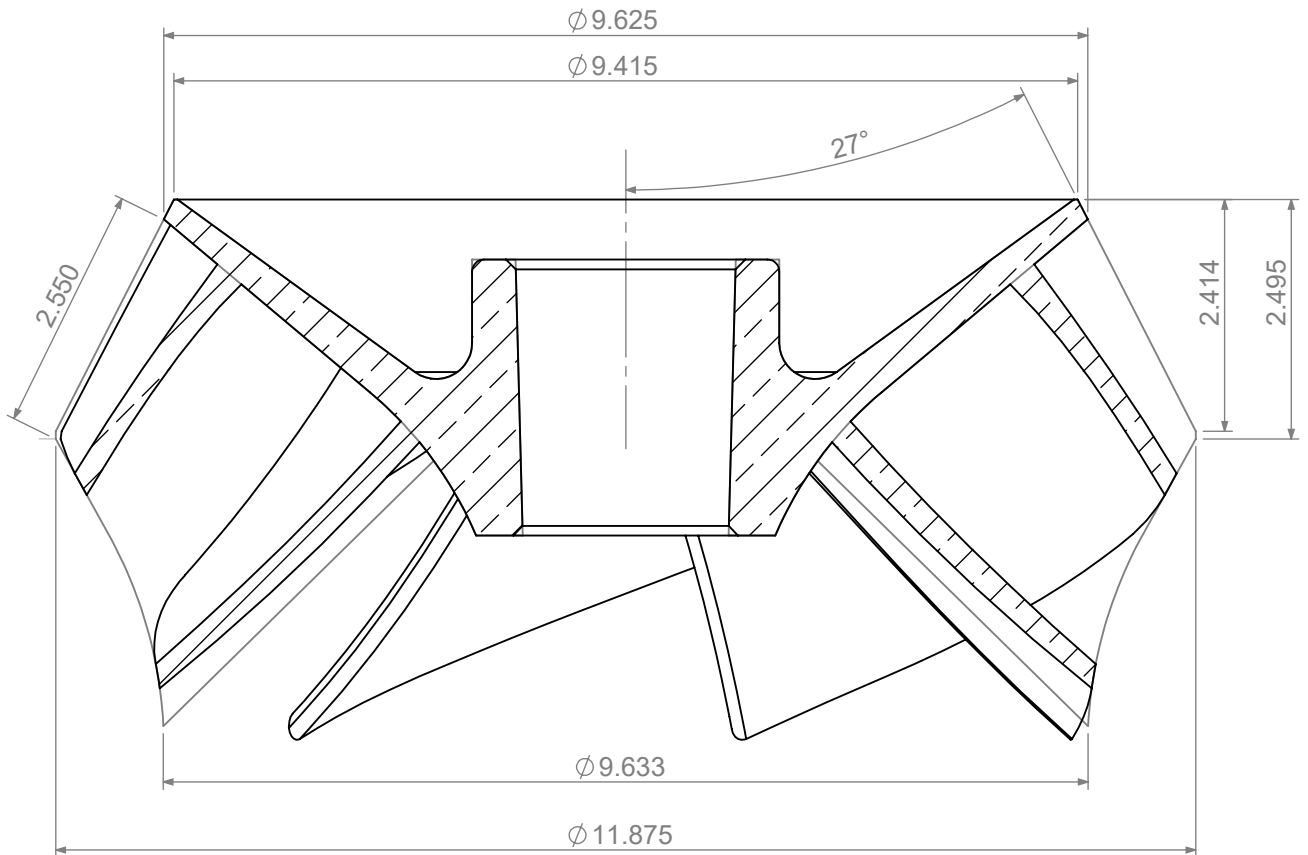
DEPARTMENT: *GENERAL*

Rev: *0.0.0* SHEET 1 OF 1



FOR 1.938" SHAFT

ITEM No.	NAME	QTY	PART No.	MATERIAL
1	OPEN IMPELLER SF15MO	1	SF1510603	CDA836 Pb RED BRASS



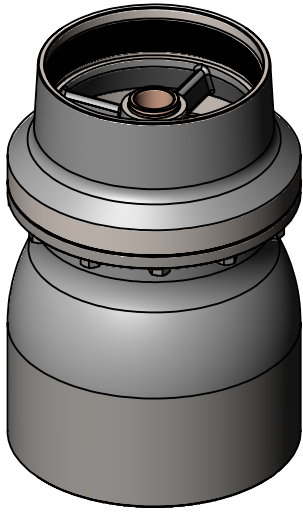
**BOMBAS KLASSEN S.A DE C.V**  
 THIS DRAWING IS THE EXCLUSIVE PROPERTY OF  
**BOMBAS KLASSEN S.A DE C.V**

NO USE WHATSOEVER OF THE INFORMATION  
 CONTAINED HEREON MAY BE USED WITHOUT WRITTEN PERMISSION

UNLESS OTHERWISE SPECIFIED  
 DIMENSIONS ARE IN INCHES

DEPARTMENT: *GENERAL*

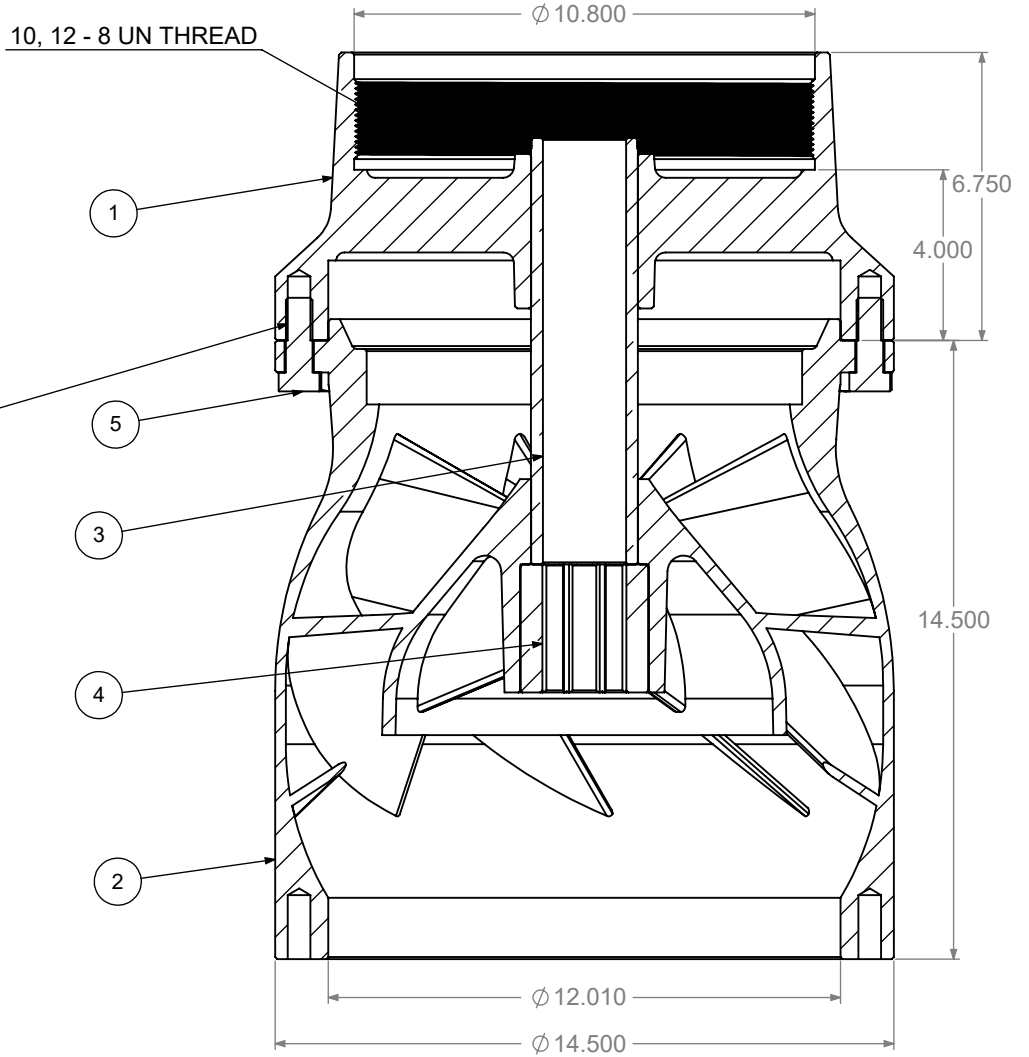
Rev: *0.0.0* SHEET 1 OF 1



FOR 1.938" SHAFT

12x - 5/8 - 11 NC  
ON Ø 13.375"

ASSEMBLY NAME	ASSEMBLY PART No.
WL Column adapter w/brz brg SF15 10-ST	SF1556360
WL Column adapter w/brz brg SF15 12-ST	SF1556501



BILL OF MATERIALS

ITEM NO.	PART NAME	QTY	PART No.	MATERIAL
1	WL COLUMN ADAPTER SF15YC 10-ST	1	SF1556301	CLASS 40 CAST IRON
2	CLOSED BOWL SF15YC COMBINED	1	SF1531401	CLASS 40 CAST IRON
3	DISCHARGE BEARING 1.938 x 2.500 x 10.000	1	CT193810113	C-844 BRONZE
4	OCT RUBBER BEARING 1.938 x 3.000 x 3.000	1	CTE193840641	B-72-2 NEOPRENE DURO 70A
5	HEX BOLT 0.625 x 1.750	12	GRAL62520451	GRADE 5

OPTIONAL

ITEM NO.	PART NAME	PART No.	MATERIAL
1	WL COLUMN ADAPTER SF15YC 12-ST	SF1556501	CLASS 40 CAST IRON



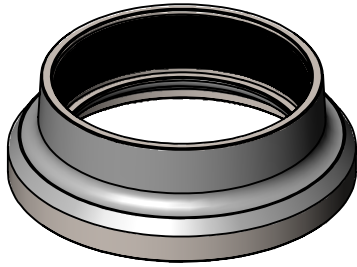
**BOMBAS KLASSEN S.A DE C.V**  
THIS DRAWING IS THE EXCLUSIVE PROPERTY OF  
**BOMBAS KLASSEN S.A DE C.V**

NO USE WHATSOEVER OF THE INFORMATION  
CONTAINED HEREON MAY BE USED WITHOUT WRITTEN PERMISSION

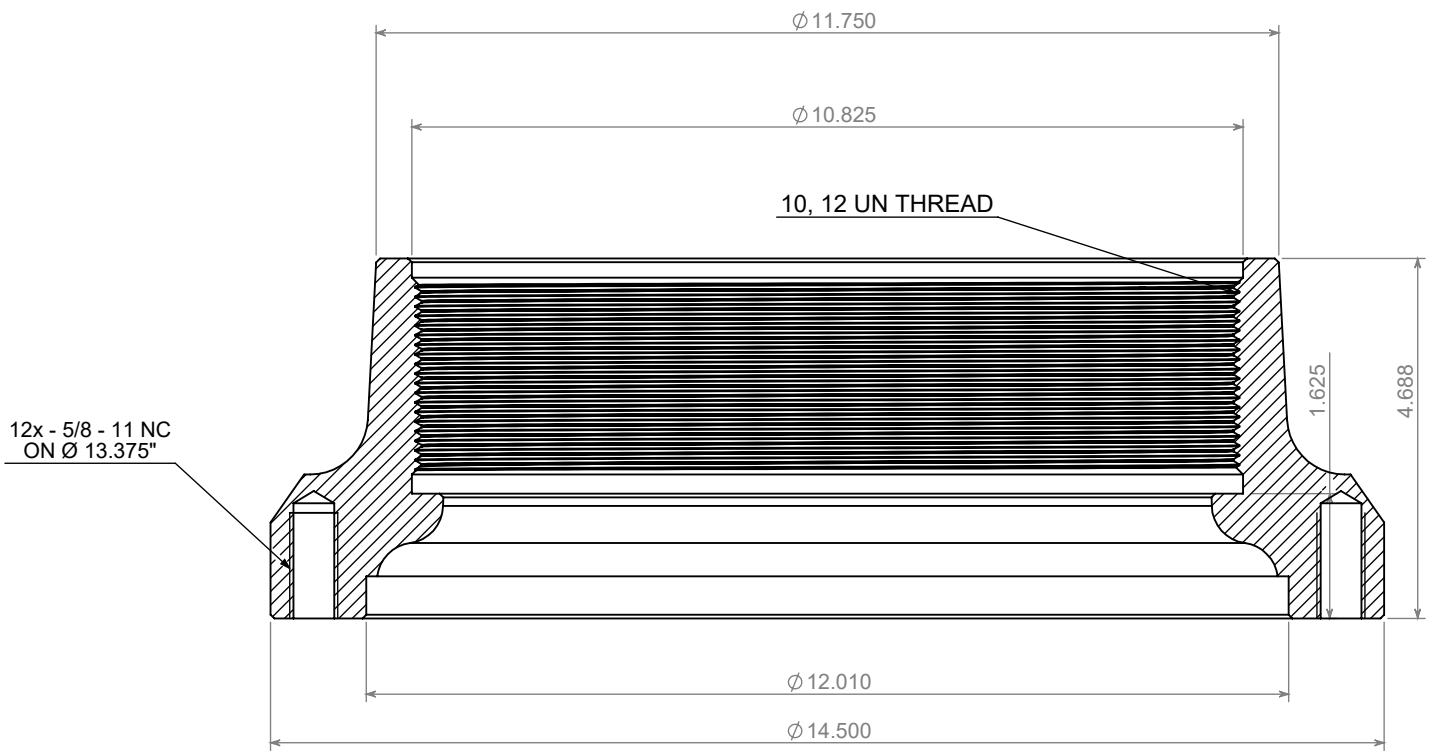
DEPARTMENT: *GENERAL*

UNLESS OTHERWISE SPECIFIED  
DIMENSIONS ARE IN INCHES

Rev: *0.0.0* SHEET 1 OF 1



NAME	PART No.	MATERIAL
Column Adapter SF15YC 10-ST	SF1551301	CLASS 40 CAST IRON
Column Adapter SF15YC 12-ST	SF1551501	CLASS 40 CAST IRON
Column Adapter SF15YC 10-TT	SF1551401	CLASS 40 CAST IRON
Column Adapter SF15YC 12-TT	SF1551601	CLASS 40 CAST IRON



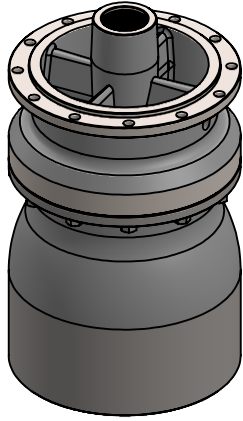
**BOMBAS KLASSEN S.A DE C.V**  
 THIS DRAWING IS THE EXCLUSIVE PROPERTY OF  
**BOMBAS KLASSEN S.A DE C.V**

NO USE WHATSOEVER OF THE INFORMATION  
 CONTAINED HEREON MAY BE USED WITHOUT WRITTEN PERMISSION

DEPARTMENT: *GENERAL*

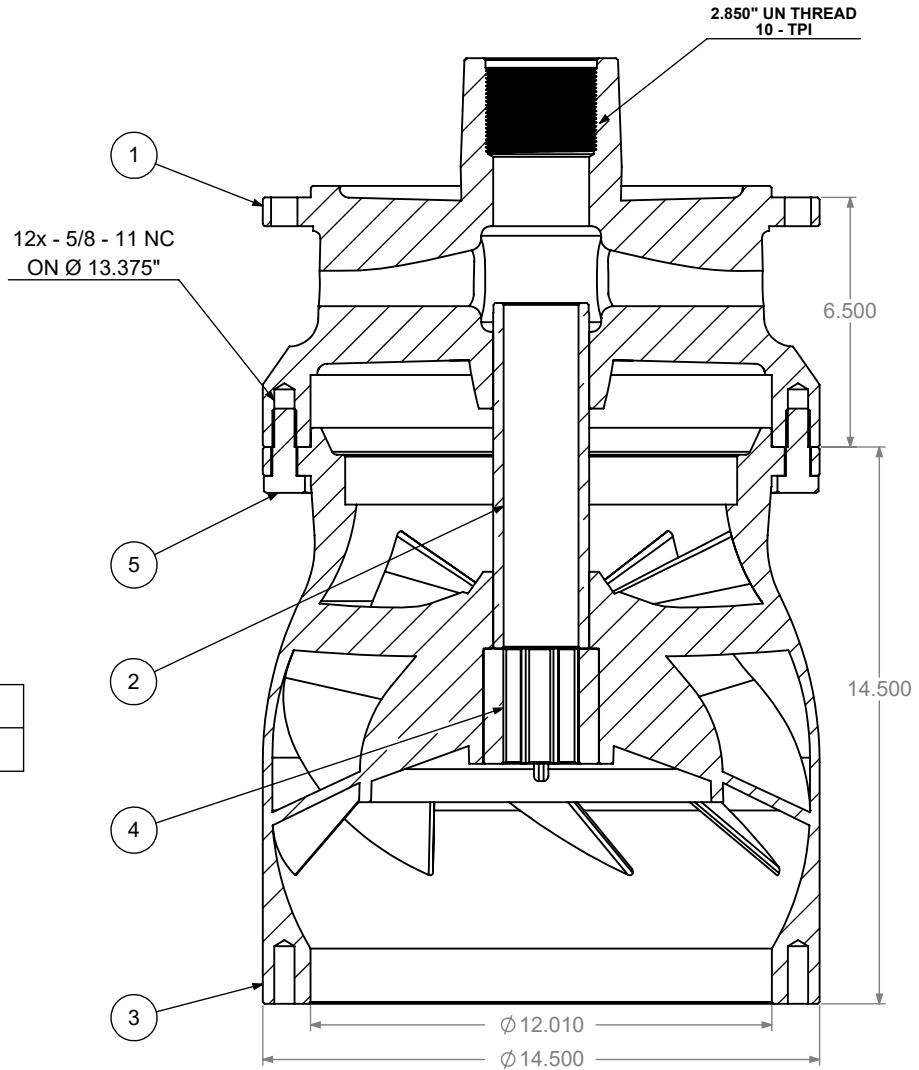
UNLESS OTHERWISE SPECIFIED  
 DIMENSIONS ARE IN INCHES

Rev: *0.0.0* SHEET 1 OF 1



FOR 1.938" SHAFT

ASSEMBLY NAME	ASSEMBLY PART No.
Discharge w/ enc. bowl and dual brgs SF15 2.5-LH	SF1522060
Discharge w/ enc. bowl and dual brgs SF15 2.5-RH	SF1522160



RH = RIGHT HAND
LH = LEFT HAND

**BILL OF MATERIALS**

ITEM NO.	PART NAME	QTY	PART No.	MATERIAL
1	DISCHARGE SF15YC 2.5-LH	1	SF1520301	CLASS 40 CAST IRON
2	DISCHARGE BEARING 1.938 x 2.500 x 9.000	1	CT193810313	C-844 BRONZE
3	CLOSED BOWL F12YC COMBINED	1	SF1531401	CLASS 40 CAST IRON
4	OCT RUBBER BEARING 1.938 x 3.000 x 3.000	1	CTE193840641	B-72-2 NEOPRENE DURO 70A
5	HEX BOLT 0.625 x 1.750	12	GRAL62520451	GRADE 5

**OPTIONAL**

ITEM NO.	PART NAME	PART No.	MATERIAL
1	DISCHARGE CASE SF15YC 2.5-RH	SF1521301	CLASS 40 CAST IRON



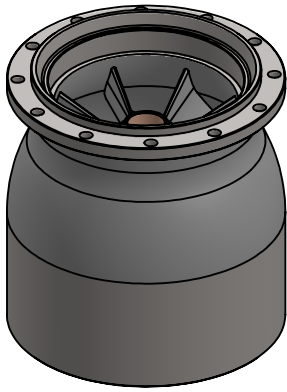
**BOMBAS KLASSEN S.A DE C.V**  
THIS DRAWING IS THE EXCLUSIVE PROPERTY OF  
**BOMBAS KLASSEN S.A DE C.V**

NO USE WHATSOEVER OF THE INFORMATION  
CONTAINED HEREON MAY BE USED WITHOUT WRITTEN PERMISSION

DEPARTMENT: *GENERAL*

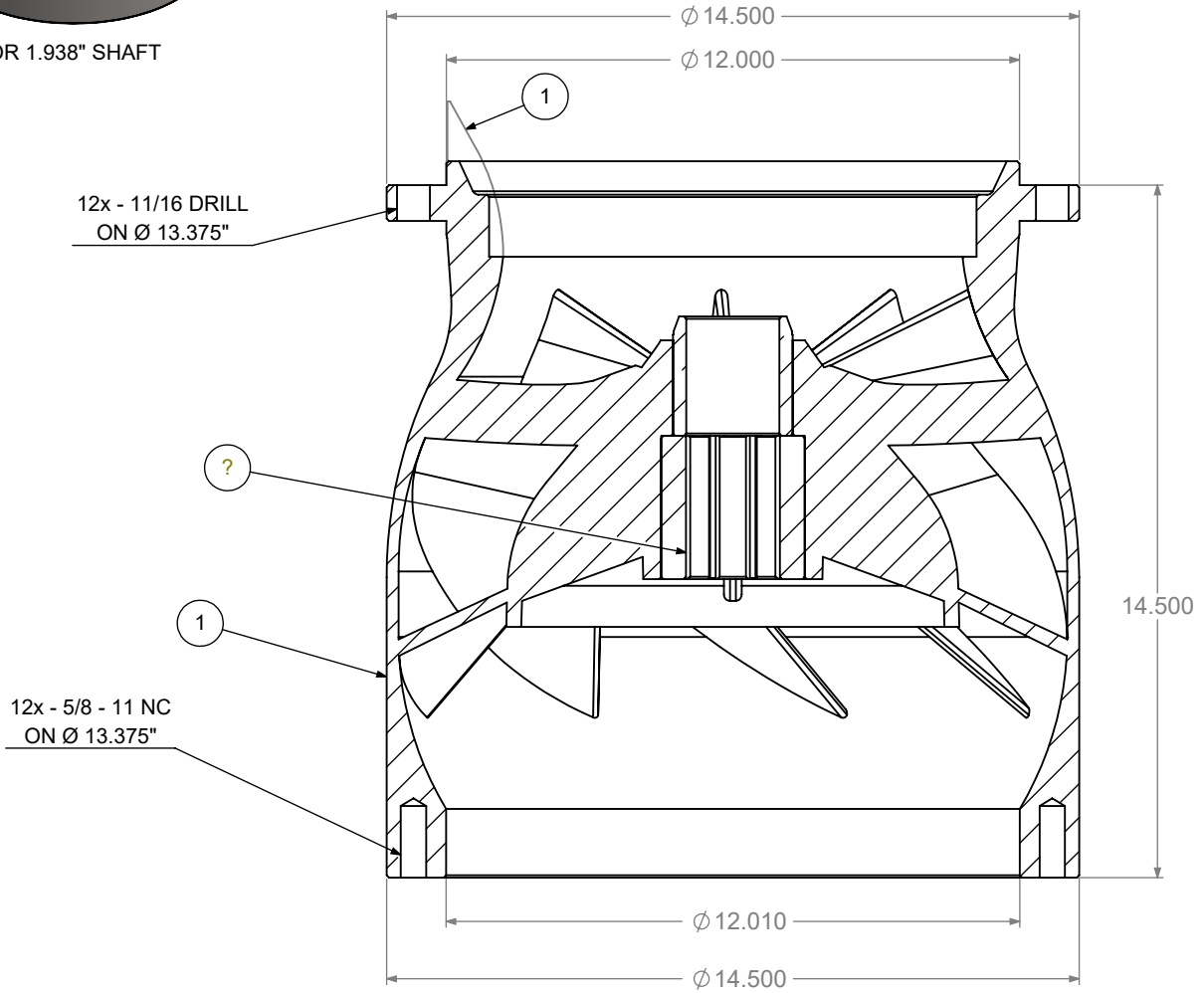
UNLESS OTHERWISE SPECIFIED  
DIMENSIONS ARE IN INCHES

Rev: *0.0.0* SHEET 1 OF 1



FOR 1.938" SHAFT

ASSEMBLY NAME	ASSEMBLY PART No.
Closed Bowl w/ brz brg SF15YC	SF1531360
Open Bowl w/ brz brg SF15YO	SF1530360



**BILL OF MATERIALS**

ITEM NO.	PART NAME	QTY	PART No.	MATERIAL
1	CLOSED BOWL SF15YC COMBINED	1	SF1531401	CLASS 40 CAST IRON
2	OCT RUBBER BEARING 1.938 x 3.000 x 3.000	1	CTE193840641	B-72-2 NEOPRENE DURO 70A
3	BOWL BRONZE BEARING 1.938 x 2.500 x 2.500	1	CT193811213	C-844 BRONZE

**OPTIONAL**

ITEM NO.	PART NAME	PART No.	MATERIAL
1	OPEN BOWL SF15YO COMBINED	SF1530401	CLASS 40 CAST IRON



**BOMBAS KLASSEN S.A DE C.V**  
 THIS DRAWING IS THE EXCLUSIVE PROPERTY OF  
**BOMBAS KLASSEN S.A DE C.V**

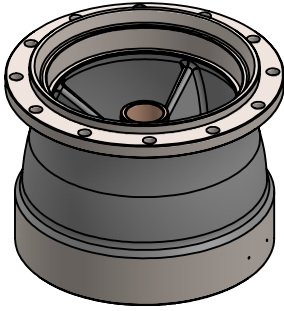
NO USE WHATSOEVER OF THE INFORMATION  
 CONTAINED HEREON MAY BE USED WITHOUT WRITTEN PERMISSION

DEPARTMENT: *GENERAL*

UNLESS OTHERWISE SPECIFIED  
 DIMENSIONS ARE IN INCHES

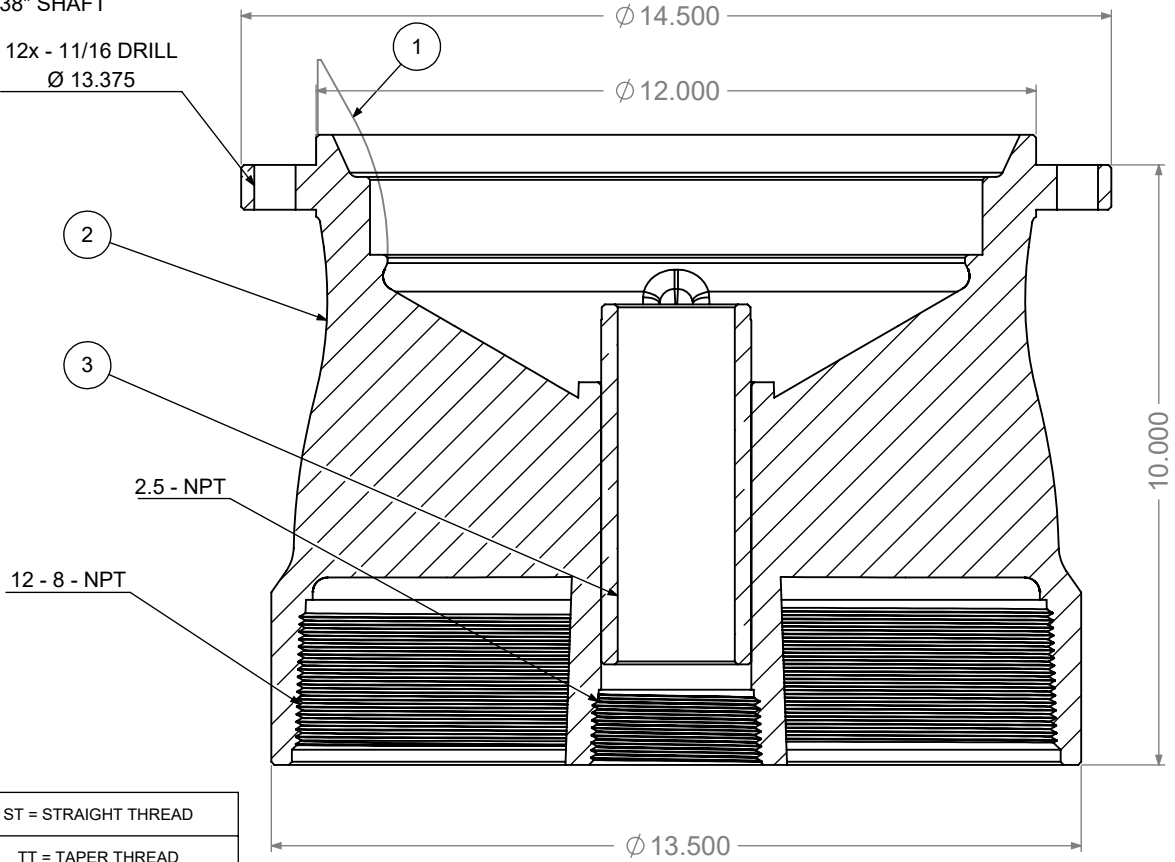
Rev: *0.0.0* SHEET 1 OF 1

ASSEMBLY NAME	ASSEMBLY PART No.
Suction case w/brz bearing SF15YO open 12-TT	SF1542260
Suction case w/brz bearing SF15YC closed 12-TT	SF1541260
Suction case w/brz bearing SF15YO open 12-ST	SF1541160
Suction case w/brz bearing SF15YO closed 12-ST	SF1542101



FOR 1.938" SHAFT

12x - 11/16 DRILL  
Ø 13.375



ST = STRAIGHT THREAD
TT = TAPER THREAD

**BILL OF MATERIALS**

ITEM NO.	PART NAME	QTY	PART No.	MATERIAL
1	SUCTION CASE SF15YO 12-TT	1	SF1542201	CLASS 40 CAST IRON
2	SUCTION CASE SF15YC 12-TT	1	SF1542201	CLASS 40 CAST IRON
3	SUCTION CASE BEARING 1.938 x 2.814 x 8.000	1	CT193812113	C-844 BRONZE

**OPTIONAL**

ITEM NO.	PART NAME	PART No.	MATERIAL
1	SUCTION CASE SF15YO 12-ST	SF1541101	CLASS 40 CAST IRON
2	SUCTION CASE SF15YC 12-ST	SF1542101	CLASS 40 CAST IRON



**BOMBAS KLASSEN S.A DE C.V.**  
THIS DRAWING IS THE EXCLUSIVE PROPERTY OF  
**BOMBAS KLASSEN S.A DE C.V.**

NO USE WHATSOEVER OF THE INFORMATION  
CONTAINED HEREON MAY BE USED WITHOUT WRITTEN PERMISSION

DEPARTMENT: *GENERAL*

UNLESS OTHERWISE SPECIFIED  
DIMENSIONS ARE IN INCHES

Rev: *0.0.0* SHEET 1 OF 1