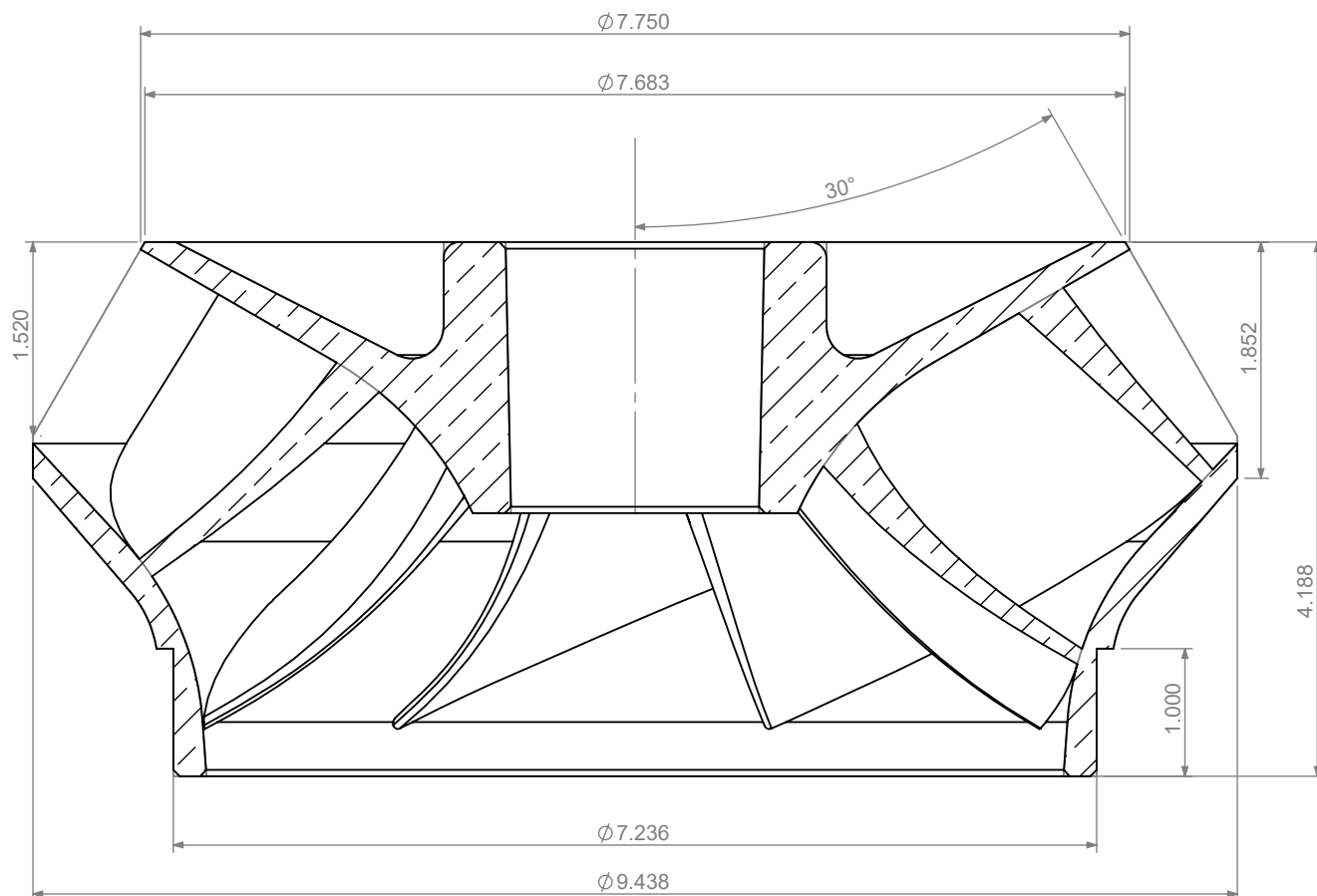


FOR 1.688" SHAFT

NAME	PART No.	MATERIAL
Closed Impeller F12MC	F1211703	CDA836 Pb RED BRASS



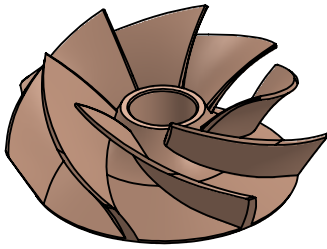
BOMBAS KLASSEN S.A DE C.V
 THIS DRAWING IS THE EXCLUSIVE PROPERTY OF
BOMBAS KLASSEN S.A DE C.V

NO USE WHATSOEVER OF THE INFORMATION
 CONTAINED HEREON MAY BE USED WITHOUT WRITTEN PERMISSION

UNLESS OTHERWISE SPECIFIED
 DIMENSIONS ARE IN INCHES

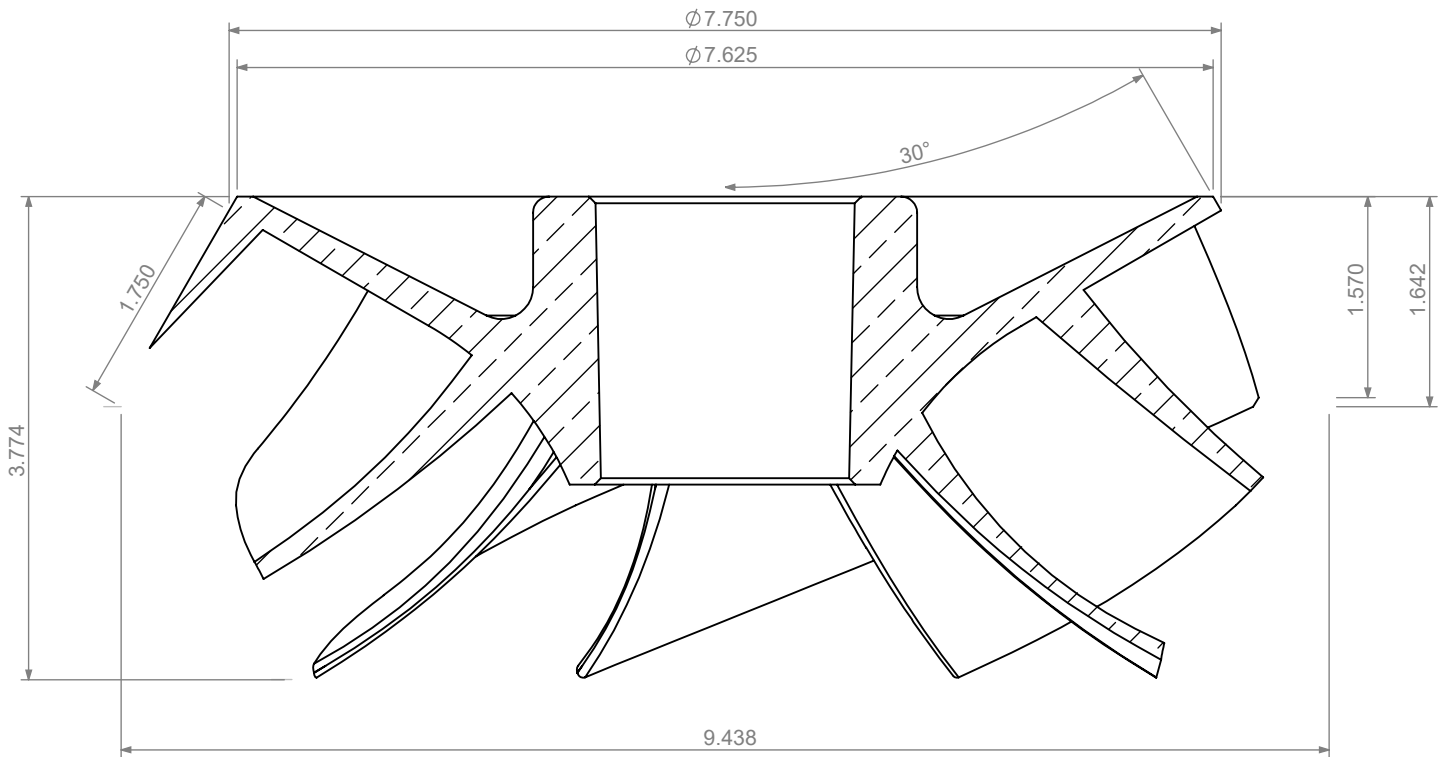
DEPARTMENT: *GENERAL*

Rev: *0.0.0* SHEET 1 OF 1



FOR 1.688" SHAFT

NAME	PART No.	MATERIAL
Open Impeller SF12MO	SF1210703	CDA836 Pb RED BRASS



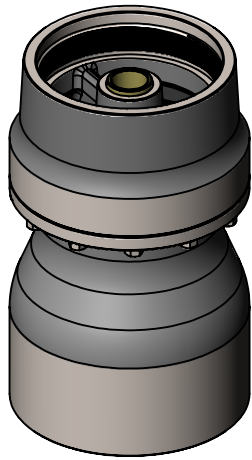
BOMBAS KLASSEN S.A DE C.V
 THIS DRAWING IS THE EXCLUSIVE PROPERTY OF
BOMBAS KLASSEN S.A DE C.V

NO USE WHATSOEVER OF THE INFORMATION
 CONTAINED HEREON MAY BE USED WITHOUT WRITTEN PERMISSION

UNLESS OTHERWISE SPECIFIED
 DIMENSIONS ARE IN INCHES

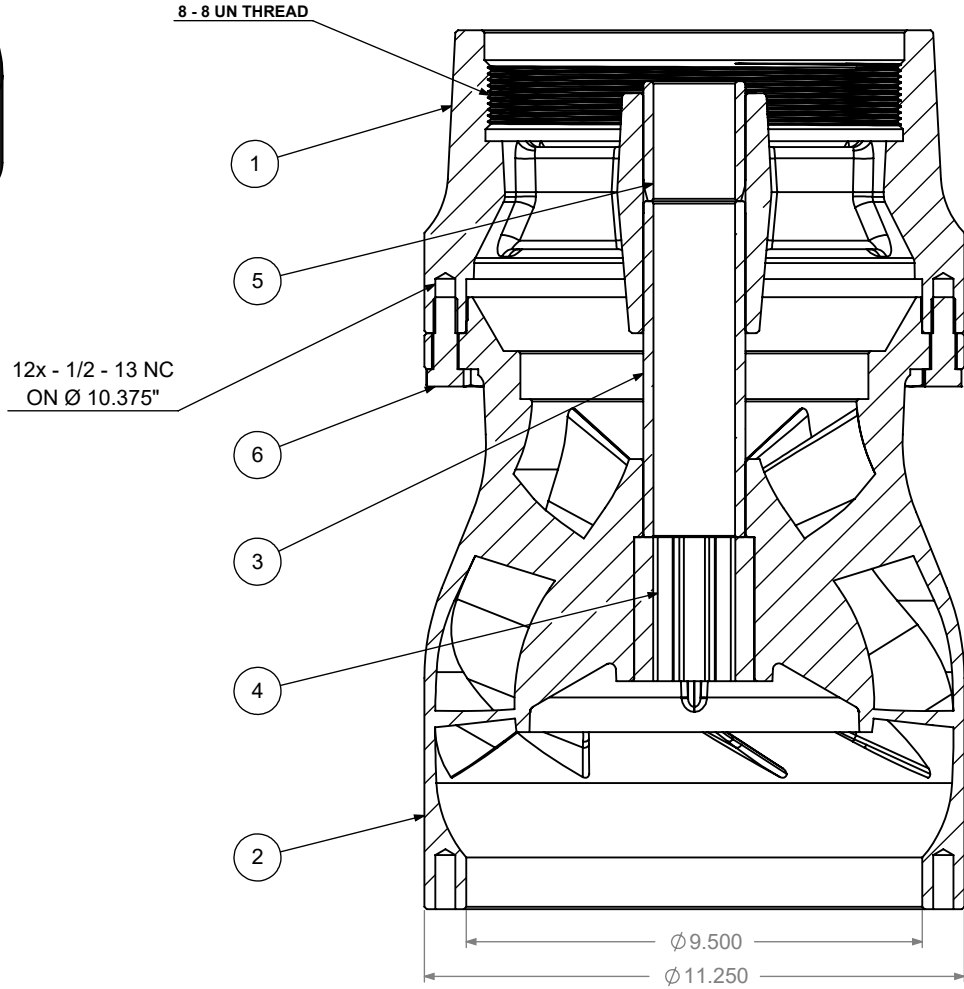
DEPARTMENT: *GENERAL*

Rev: *0.0.0* SHEET 1 OF 1



FOR 1.688" SHAFT

ASSEMBLY NAME	ASSEMBLY PART No.
WL Column adapter w bow/brz brg SF12 8-ST	SF1256160



BILL OF MATERIALS

ITEM NO.	PART NAME	QTY	PART No.	MATERIAL
1	WL COLUMN ADAPTER R12YC 8-ST	1	SF1256101	CLASS 40 CAST IRON
2	CLOSED BOWL SF12YC COMBINED	1	SF1231401	CLASS 40 CAST IRON
3	DISCHARGE BEARING 1.688 X 2.125 X 7.000	1	CT168810113	C-844 BRONZE
4	OCT RUBBER BEARING 1.688 x 2.125 x 3.000	1	CTE168840841	B-72-2 NEOPRENE DURO 70A
5	BOWL BRONZE BEARING 1.688 x 2.125 x 2.500	1	CT16881513	C-844 BRONZE
6	HEX BOLT 0.500 x 1.500	12	GRAL50020451	GRADE 5

OPTIONAL

ITEM NO.	PART NAME	PART No.	MATERIAL
1	WL COLUMN ADAPTER SF12YC 8-ST	SF1256101	CLASS 40 CAST IRON



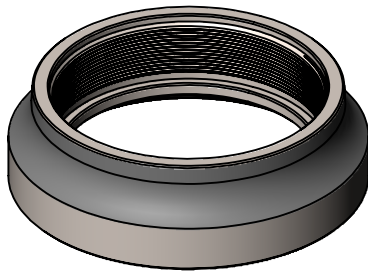
BOMBAS KLASSEN S.A DE C.V
THIS DRAWING IS THE EXCLUSIVE PROPERTY OF
BOMBAS KLASSEN S.A DE C.V

NO USE WHATSOEVER OF THE INFORMATION
CONTAINED HEREON MAY BE USED WITHOUT WRITTEN PERMISSION

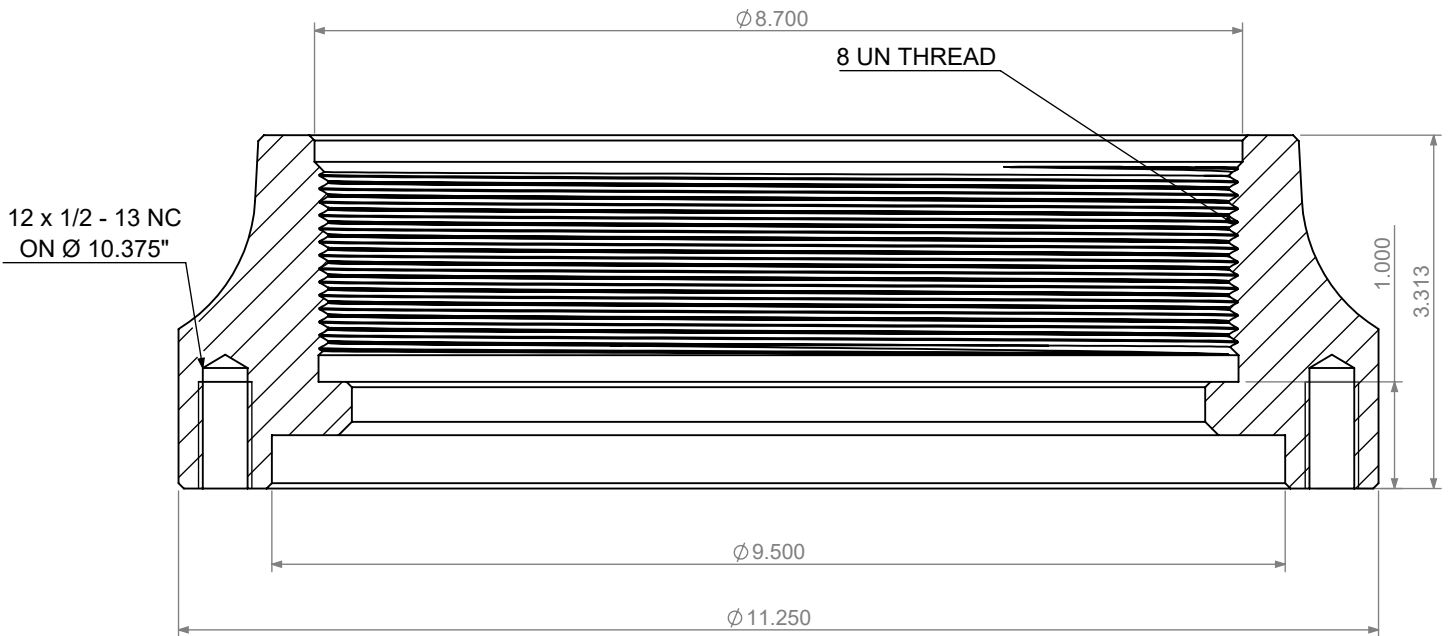
DEPARTMENT: *GENERAL*

UNLESS OTHERWISE SPECIFIED
DIMENSIONS ARE IN INCHES

Rev: *0.0.0* SHEET 1 OF 1



NAME	PART No.	MATERIAL
Column Adapter SF12YC 8-ST	SF1251101	CLASS 40 CAST IRON
Column Adapter SF12YC 8-TT	SF1251201	CLASS 40 CAST IRON



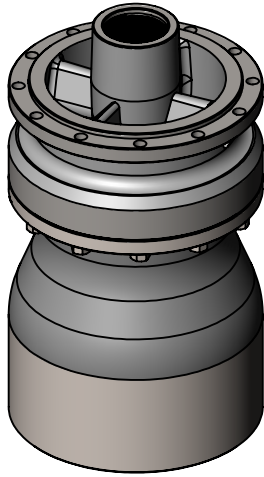
BOMBAS KLASSEN S.A DE C.V
 THIS DRAWING IS THE EXCLUSIVE PROPERTY OF
BOMBAS KLASSEN S.A DE C.V

NO USE WHATSOEVER OF THE INFORMATION
 CONTAINED HEREON MAY BE USED WITHOUT WRITTEN PERMISSION

DEPARTMENT: *GENERAL*

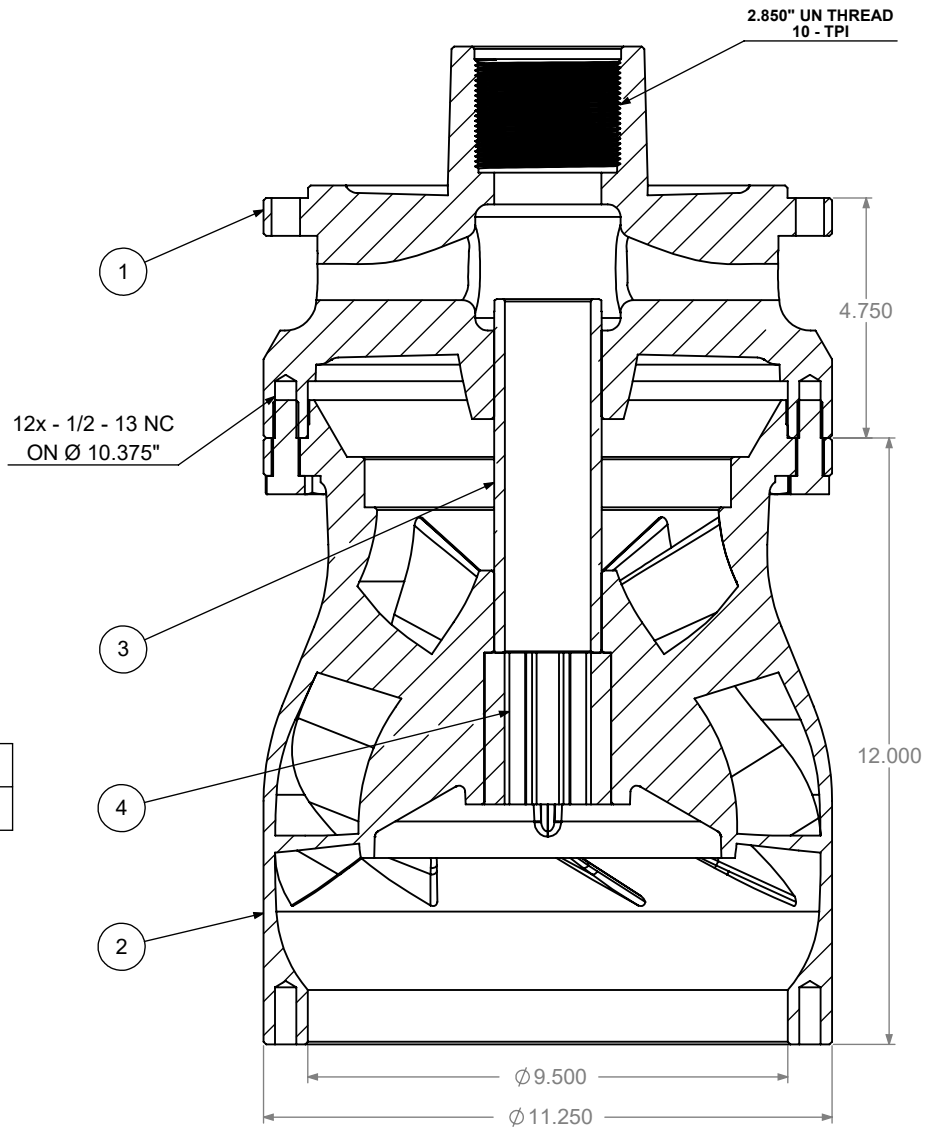
UNLESS OTHERWISE SPECIFIED
 DIMENSIONS ARE IN INCHES

Rev: *0.0.0* SHEET 1 OF 1



FOR 1.688" SHAFT

ASSEMBLY NAME	ASSEMBLY PART No.
Discharge w/ enc. bowl and dual brgs SF12 2.5-LH	SF1222060
Discharge w/ enc. bowl and dual brgs SF12 2.5-RH	SF1222160



RH = RIGHT HAND
LH = LEFT HAND

BILL OF MATERIALS

ITEM NO.	PART NAME	QTY	PART No.	MATERIAL
1	DISCHARGE CASE SF12YC 2.5-LH	1	SF1220301	CLASS 40 CAST IRON
2	CLOSED BOWL SF12YC COMBINED	1	SF1231401	CLASS 40 CAST IRON
3	DISCHARGE BEARING 1.688 X 2.125 X 7.000	1	CT168810113	C-844 BRONZE
4	OCT RUBBER BEARING 1.688 x 2.125 x 3.000	1	CTE168840841	B-72-2 NEOPRENE DURO 70A
5	HEX BOLT 0.500 x 1.500	12	GRAL50020451	GRADE 5

OPTIONAL

ITEM NO.	PART NAME	PART No.	MATERIAL
1	DISCHARGE CASE SF12YC 2.5-RH	SF1221301	CLASS 40 CAST IRON



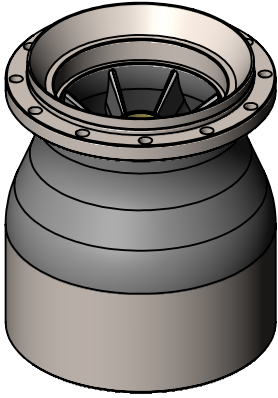
BOMBAS KLASSEN S.A DE C.V
THIS DRAWING IS THE EXCLUSIVE PROPERTY OF
BOMBAS KLASSEN S.A DE C.V

NO USE WHATSOEVER OF THE INFORMATION
CONTAINED HEREON MAY BE USED WITHOUT WRITTEN PERMISSION

DEPARTMENT: *GENERAL*

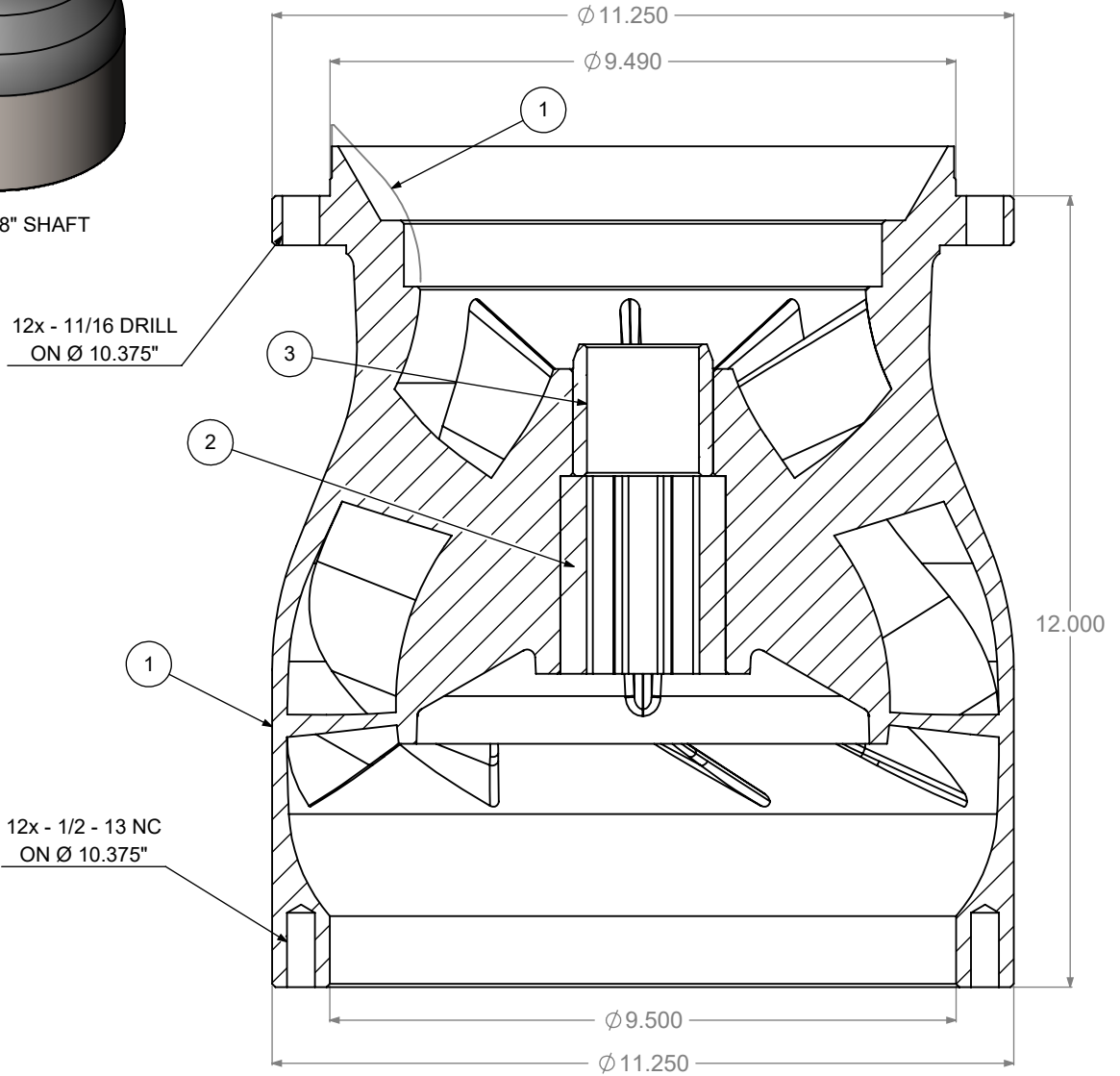
UNLESS OTHERWISE SPECIFIED
DIMENSIONS ARE IN INCHES

Rev: *0.0.0* SHEET 1 OF 1



FOR 1.688" SHAFT

ASSEMBLY NAME	ASSEMBLY PART No.
Closed Bowl w/ dual brgs W12YC	W1231460



BILL OF MATERIALS

ITEM NO.	PART NAME	QTY	PART No.	MATERIAL
1	CLOSED BOWL SF12YC COMBINED	1	SF1231401	CLASS 40 CAST IRON
2	OCT RUBBER BEARING 1.688 x 2.125 x 3.000	1	CTE168840841	B-72-2 NEOPRENE DURO 70A
3	BOWL BRONZE BEARING 1.688 X 2.125 X 2.000	1	CT168811413	C-844 BRONZE

OPTIONAL

ITEM NO.	PART NAME	PART No.	MATERIAL
1	OPEN BOWL SF12YO COMBINED	SF1230401	CLASS 40 CAST IRON



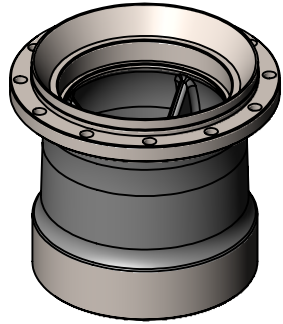
BOMBAS KLASSEN S.A DE C.V
 THIS DRAWING IS THE EXCLUSIVE PROPERTY OF
BOMBAS KLASSEN S.A DE C.V

NO USE WHATSOEVER OF THE INFORMATION
 CONTAINED HEREON MAY BE USED WITHOUT WRITTEN PERMISSION

DEPARTMENT: *GENERAL*

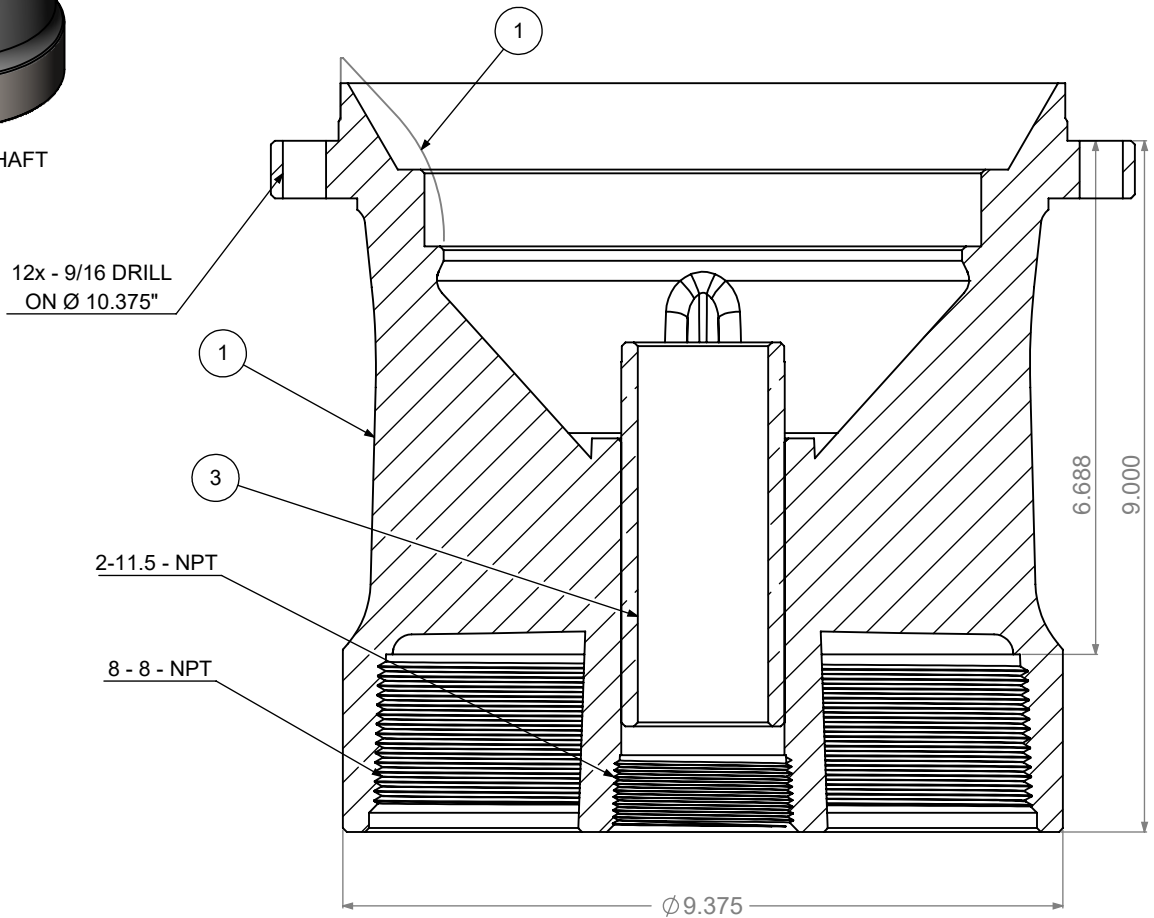
UNLESS OTHERWISE SPECIFIED
 DIMENSIONS ARE IN INCHES

Rev: *0.0.0* SHEET 1 OF 1



FOR 1.688" SHAFT

ASSEMBLY NAME	ASSEMBLY PART No.
Suction case w/brz bearing SF12YO closed 8-TT	SF1241860
Suction case w/brz bearing SF12YC closed 8-TT	SF1241860
Suction case w/brz bearing SF12YC closed 8-ST	SF1241760
Suction case w/brz bearing SF12YO closed 8-ST	SF1240760



ST = STRAIGHT THREAD
TT = TAPER THREAD

BILL OF MATERIALS

ITEM NO.	PART NAME	QTY	PART No.	MATERIAL
1	SUCTION CASE SF12YO 8-TT	1	SF1240801	CLASS 40 CAST IRON
2	SUCTION CASE SF12YC 8-TT	1	SF1241801	CLASS 40 CAST IRON
3	SUCTION CASE BEARING 1.688 x 2.125 x 5.000	1	CT168811213	C-844 BRONZE

OPTIONAL

ITEM NO.	PART NAME	PART No.	MATERIAL
1	SUCTION CASE SF12YO 8-TT	SF1240701	CLASS 40 CAST IRON
2	SUCTION CASE SF12YC 8-TT	SF1241701	CLASS 40 CAST IRON



BOMBAS KLASSEN S.A DE C.V
THIS DRAWING IS THE EXCLUSIVE PROPERTY OF
BOMBAS KLASSEN S.A DE C.V

NO USE WHATSOEVER OF THE INFORMATION
CONTAINED HEREON MAY BE USED WITHOUT WRITTEN PERMISSION

DEPARTMENT: *GENERAL*

UNLESS OTHERWISE SPECIFIED
DIMENSIONS ARE IN INCHES

Rev: *0.0.0* SHEET 1 OF 1