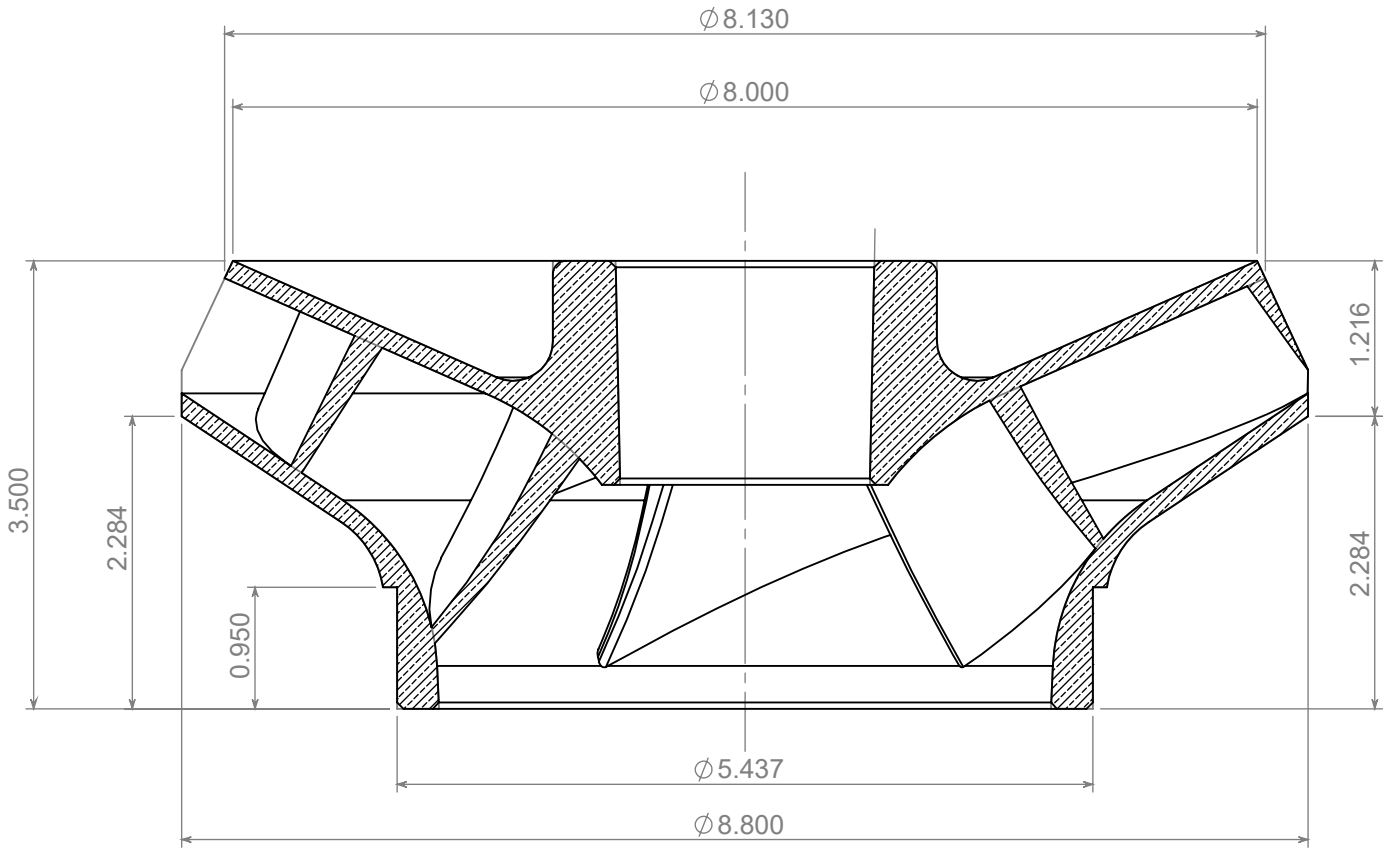


FOR 1.688" SHAFT

NAME	PART No.	MATERIAL
Closed Impeller R11LC	R1111503	CDA836 Pb RED BRASS
Closed Impeller R11MC	R1111703	CDA836 Pb RED BRASS
Closed Impeller R11HC	R1111803	CDA836 Pb RED BRASS



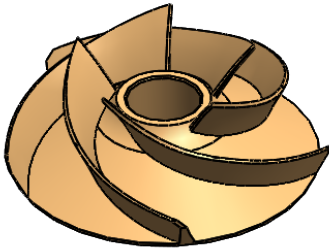
**BOMBAS KLASSEN S.A DE C.V**  
 THIS DRAWING IS THE EXCLUSIVE PROPERTY OF  
**BOMBAS KLASSEN S.A DE C.V**

NO USE WHATSOEVER OF THE INFORMATION  
 CONTAINED HEREON MAY BE USED WITHOUT WRITTEN PERMISSION

DEPARTMENT: *MACHINING*

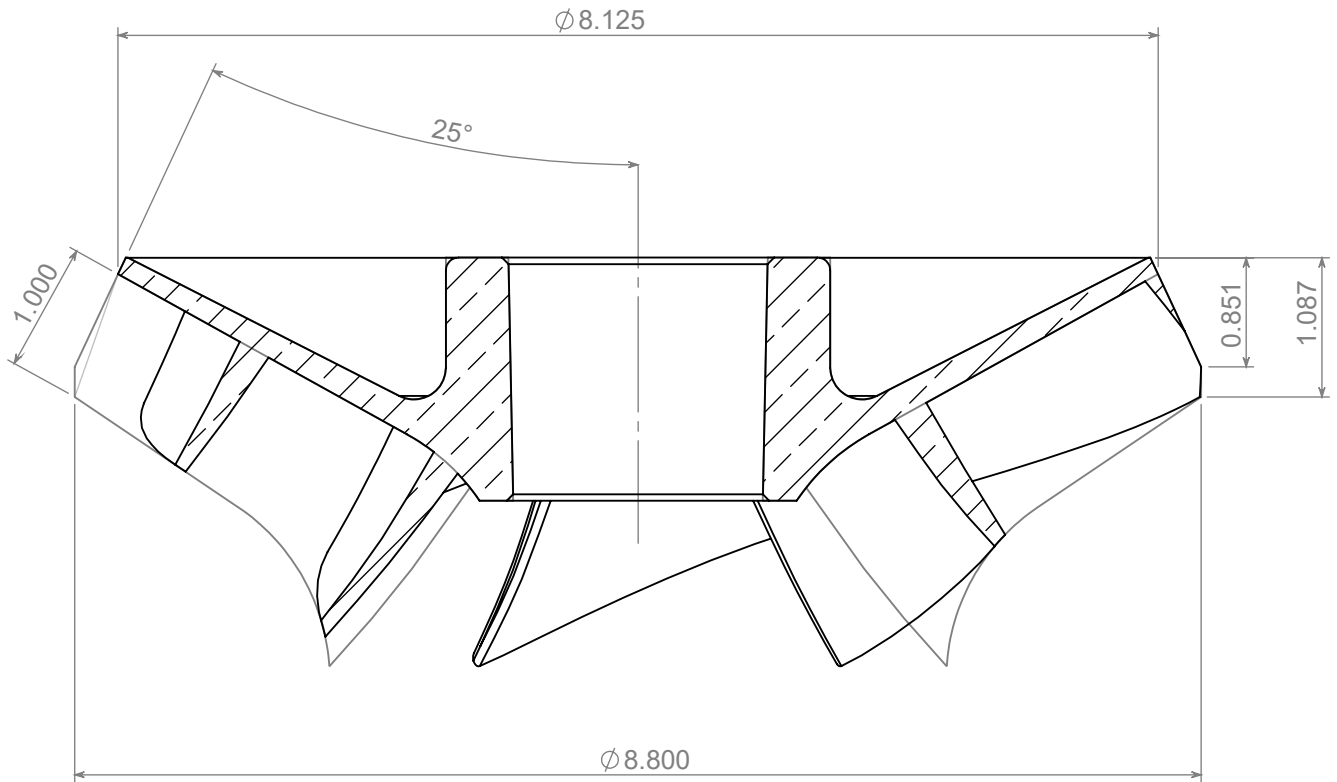
UNLESS OTHERWISE SPECIFIED  
 DIMENSIONS ARE IN INCHES

Rev: *0.0.0* SHEET 1 OF 1



FOR 1.688" SHAFT

NAME	PART No.	MATERIAL
Open Impeller R11LO	R1110503	CDA836 Pb RED BRASS
Open Impeller R11MO	R1110703	CDA836 Pb RED BRASS
Open Impeller R11HO	R1110803	CDA836 Pb RED BRASS



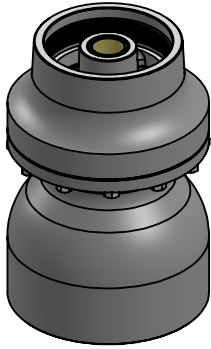
**BOMBAS KLASSEN S.A DE C.V**  
 THIS DRAWING IS THE EXCLUSIVE PROPERTY OF  
**BOMBAS KLASSEN S.A DE C.V**

NO USE WHATSOEVER OF THE INFORMATION  
 CONTAINED HEREON MAY BE USED WITHOUT WRITTEN PERMISSION

UNLESS OTHERWISE SPECIFIED  
 DIMENSIONS ARE IN INCHES

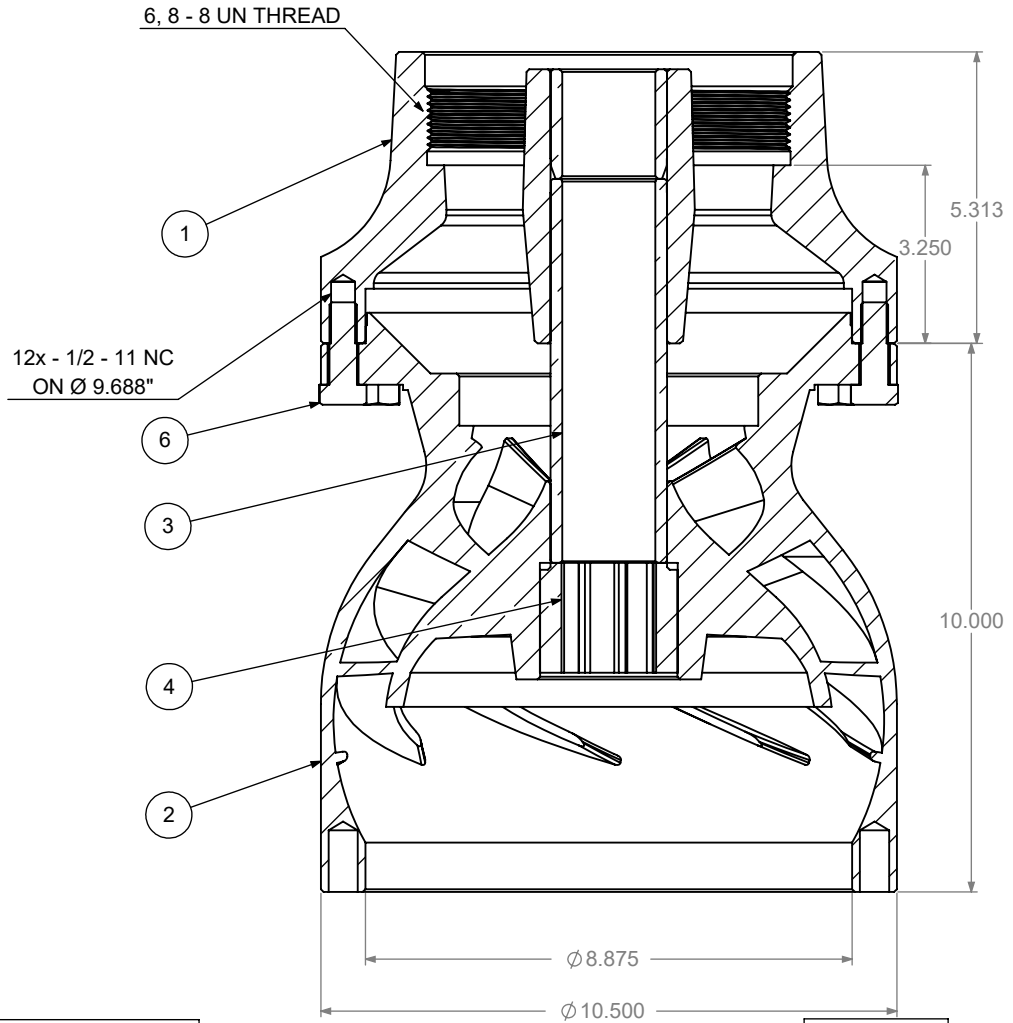
DEPARTMENT: *MACHINING*

Rev: *0.0.0* SHEET 1 OF 1



FOR 1.688" SHAFT

ASSEMBLY NAME	ASSEMBLY PART No.
WL Column adapter w bowl/brz brg S11 6-ST	S1155960
WL Column adapter w bowl/brz brg S11 8-ST	S1156160



**BILL OF MATERIALS**

ITEM NO.	PART NAME	QTY	PART No.	MATERIAL
1	WL COLUMN ADAPTER S11 F11 6-ST	1	S1155901	CLASS 40 CAST IRON
2	CLOSED BOWL S11YC COMBINED	1	S1131401	CLASS 40 CAST IRON
3	DISCHARGE CASE BEARING 1.688	1	CT168810113	C-844 BRONZE
4	OCT RUBBER BEARING 1.688 x 2.500 x 2.000	1	CTE168840441	B-72-2 NEOPRENE DURO 70A
5	BOWL BRONZE BEARING 1.688 x 2.125 x 2.000	1	CT168811413	C-844 BRONZE
6	HEX BOLT 0.500 x 1.500	12	GRAL50020451	GRADE 5

**OPTIONAL**

ITEM NO.	PART NAME	PART No.	MATERIAL
1	WL COLUMN ADAPTER S11 F11 8-ST	S1155901	CLASS 40 CAST IRON



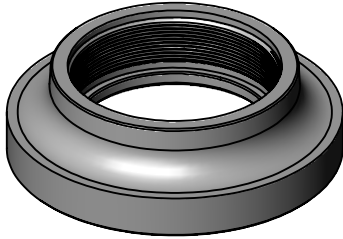
**BOMBAS KLASSEN S.A DE C.V**  
THIS DRAWING IS THE EXCLUSIVE PROPERTY OF  
**BOMBAS KLASSEN S.A DE C.V**

NO USE WHATSOEVER OF THE INFORMATION  
CONTAINED HEREON MAY BE USED WITHOUT WRITTEN PERMISSION

DEPARTMENT: *GENERAL*

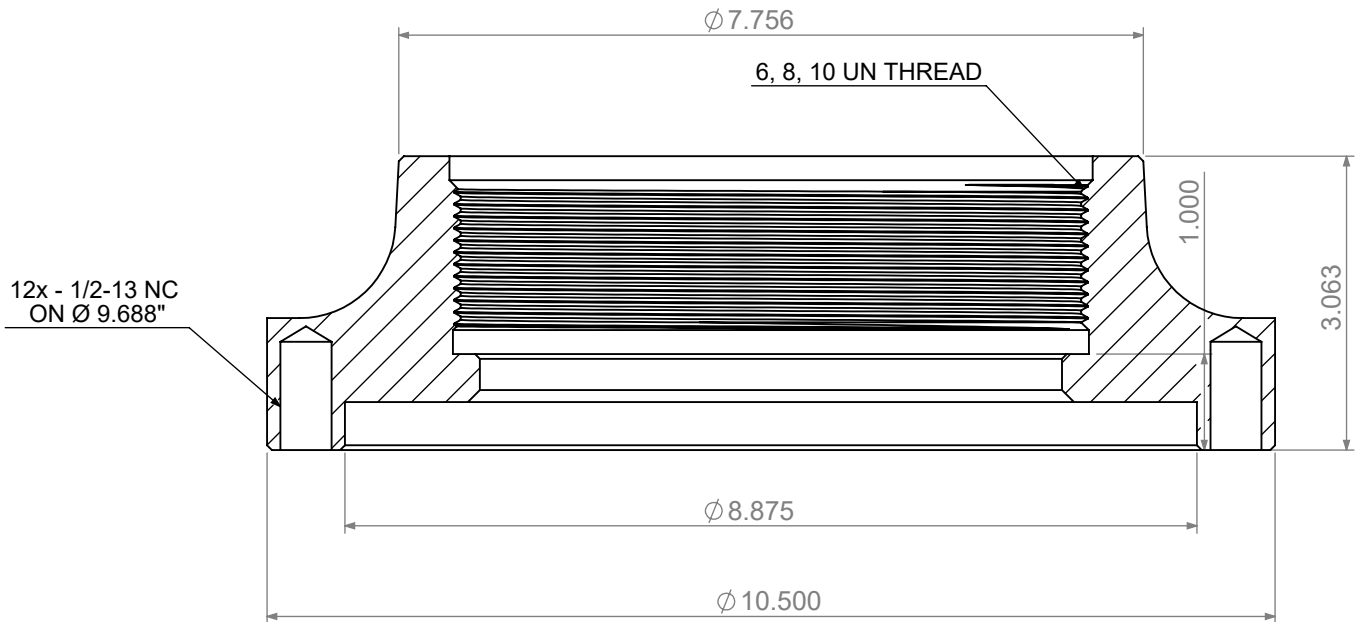
UNLESS OTHERWISE SPECIFIED  
DIMENSIONS ARE IN INCHES

Rev: *0.0.0* SHEET 1 OF 1



ASSEMBLY NAME	ASSEMBLY PART No.	MATERIAL
Column adapter S11 F11 6-ST	S1150901	CLASS 40 CAST IRON
Column adapter S11 F11 8-ST	S1151101	CLASS 40 CAST IRON
Column adapter S11 F11 10-ST	S1151301	CLASS 40 CAST IRON
Column adapter S11 F11 6-TT	S1151001	CLASS 40 CAST IRON
Column adapter S11 F11 8-TT	S1151201	CLASS 40 CAST IRON
Column adapter S11 F11 10-TT	S1151401	CLASS 40 CAST IRON

\*OD 10" Column Adapter is 11.750"



**BOMBAS KLASSEN S.A DE C.V**  
 THIS DRAWING IS THE EXCLUSIVE PROPERTY OF  
**BOMBAS KLASSEN S.A DE C.V**

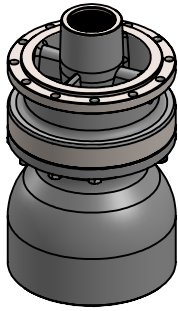
NO USE WHATSOEVER OF THE INFORMATION  
 CONTAINED HEREON MAY BE USED WITHOUT WRITTEN PERMISSION

DEPARTMENT: *GENERAL*

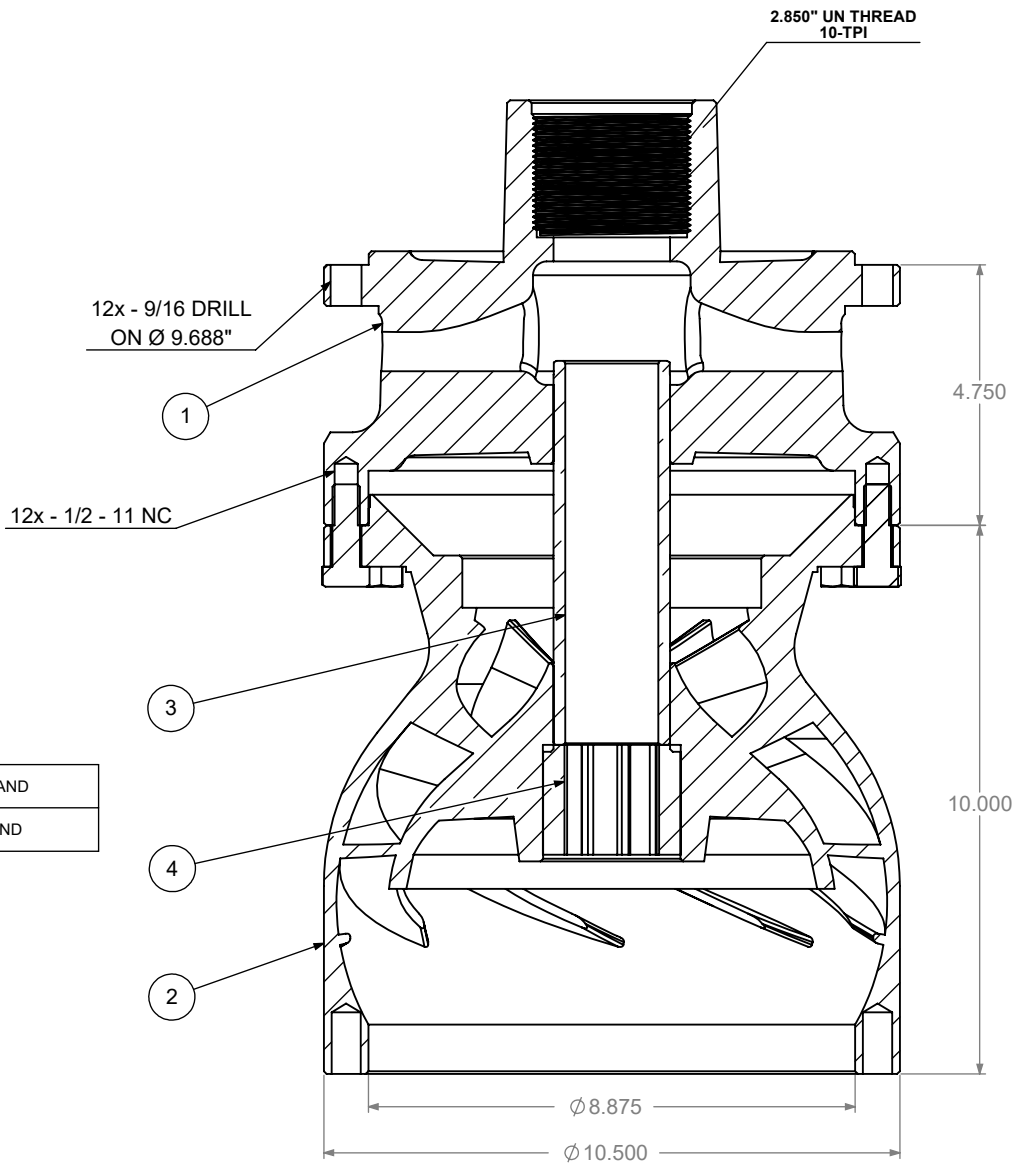
UNLESS OTHERWISE SPECIFIED  
 DIMENSIONS ARE IN INCHES

Rev: *0.0.0* SHEET 1 OF 1

ASSEMBLY NAME	ASSEMBLY PART No.
Discharge w/ enc. bowl and dual brgs S11 2.5-LH	S1122060
Discharge w/ enc. bowl and dual brgs S11 2.5-RH	S1122160



FOR 1.688" SHAFT



RH = RIGHT HAND
LH = LEFT HAND

**BILL OF MATERIALS**

ITEM NO.	PART NAME	QTY	PART No.	MATERIAL
1	DISCHARGE CASE S11 F11 2.5 LH	1	S1120301	CLASS 40 CAST IRON
2	CLOSED BOWL S11YC COMBINED	1	S1131401	CLASS 40 CAST IRON
3	DISCHARGE BEARING 1.688 x 2.125 x 7.000	1	CT168810113	C-844 BRONZE
4	OCT RUBBER BEARING 1.688 x 2.500 x 2.000	1	CTE168840441	B-72-2 NEOPRENE DURO 70A
5	HEX BOLT 0.500 x 1.500	12	GRAL50020451	GRADE 5

**OPTIONAL**

ITEM NO.	PART NAME	PART No.	MATERIAL
1	DISCHARGE CASE S11 F11 2.5 RH	S1120301	CLASS 40 CAST IRON



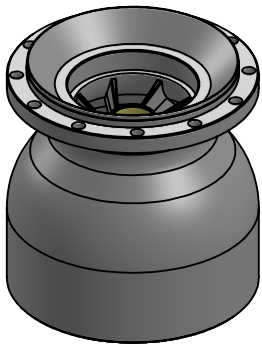
**BOMBAS KLASSEN S.A DE C.V**  
THIS DRAWING IS THE EXCLUSIVE PROPERTY OF  
**BOMBAS KLASSEN S.A DE C.V**

NO USE WHATSOEVER OF THE INFORMATION  
CONTAINED HEREON MAY BE USED WITHOUT WRITTEN PERMISSION

DEPARTMENT: *MACHINING*

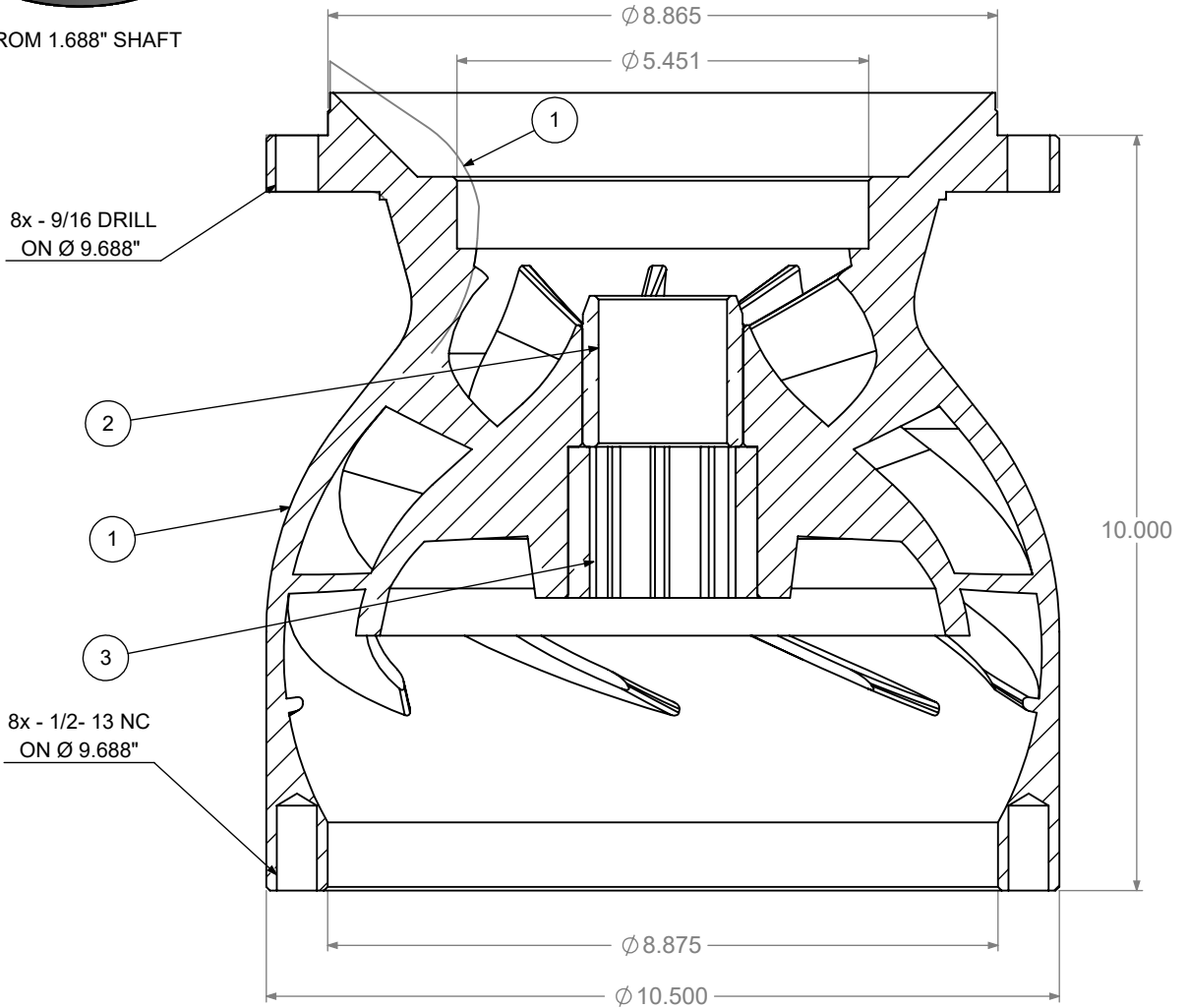
UNLESS OTHERWISE SPECIFIED  
DIMENSIONS ARE IN INCHES

Rev: *0.0.0* SHEET 1 OF 1



FROM 1.688" SHAFT

ASSEMBLY NAME	ASSEMBLY PART No.
Closed Bowl w/ dual brgs S11YC	S1131460
Open Bowl w/ dual brgs S11YO	S1130460



**BILL OF MATERIALS**

ITEM No.	PART NAME	QTY	PART No.	MATERIAL
1	CLOSED BOWL S11YC COMBINED	1	S1131401	CLASS 40 CAST IRON
2	BOWL BRONZE BEARING 1.688 x 2.125 x 2.000	1	CT168811413	C-844 BRONZE
3	OCT RUBBER BEARING 1.688 x 2.500 x 2.000	1	CTE168840441	B-72-2 NEOPRENE DURO 70A

**OPTIONAL**

ITEM NO.	PART NAME	PART No.	MATERIAL
1	OPEN BOWL S11YO COMBINED	S1130401	CLASS 40 CAST IRON



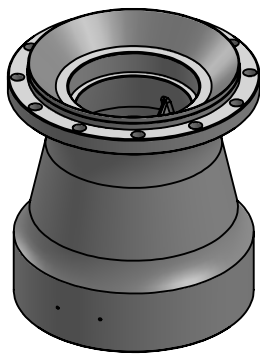
**BOMBAS KLASSEN S.A DE C.V**  
THIS DRAWING IS THE EXCLUSIVE PROPERTY OF  
**BOMBAS KLASSEN S.A DE C.V**

NO USE WHATSOEVER OF THE INFORMATION  
CONTAINED HEREON MAY BE USED WITHOUT WRITTEN PERMISSION

DEPARTMENT: **GENERAL**

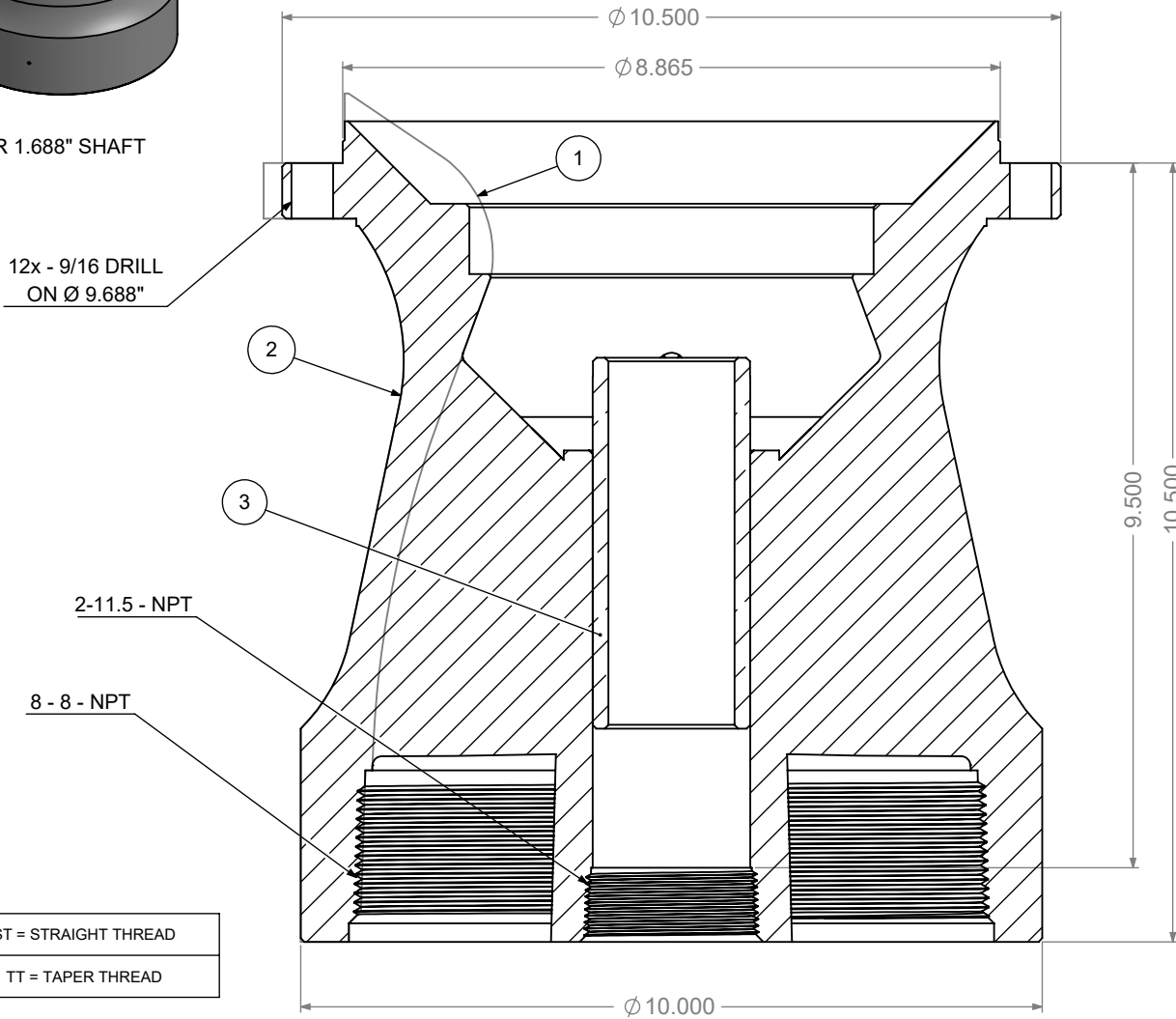
UNLESS OTHERWISE SPECIFIED  
DIMENSIONS ARE IN INCHES

Rev: **0.0.0** SHEET 1 OF 1



FOR 1.688" SHAFT

ASSEMBLY NAME	ASSEMBLY PART No.
Suction case w/brz bearing S11YO open 8-ST	S1140760
Suction case w/brz bearing S11YO open 8-TT	S1140860
Suction case w/brz bearing S11YC closed 8-ST	S1141760
Suction case w/brz bearing S11YC closed 8-TT	S1141860



ST = STRAIGHT THREAD
TT = TAPER THREAD

**BILL OF MATERIALS**

ITEM NO.	PART NAME	QTY	PART No.	MATERIAL
1	SUCTION CASE S11YO OPEN 8-TT	1	S1140801	CLASS 40 CAST IRON
2	SUCTION CASE S11YC CLOSED 8-TT	1	S1141801	CLASS 40 CAST IRON
3	SUCTION CASE BEARING 1.688 x 2.125 x 5.000	1	CT168811213	C-844 BRONZE

**OPTIONAL**

ITEM NO.	PART NAME	PART No.	MATERIAL
1	SUCTION CASE S11YO 8-ST	S1140701	CLASS 40 CAST IRON
2	SUCTION CASE S11YC 8-ST	S1141701	CLASS 40 CAST IRON



**BOMBAS KLASSEN S.A DE C.V.**  
 THIS DRAWING IS THE EXCLUSIVE PROPERTY OF  
**BOMBAS KLASSEN S.A DE C.V.**

NO USE WHATSOEVER OF THE INFORMATION  
 CONTAINED HEREON MAY BE USED WITHOUT WRITTEN PERMISSION

DEPARTMENT: <b>GENERAL</b>
Rev: <b>0.0.0</b> SHEET 1 OF 1

UNLESS OTHERWISE SPECIFIED  
 DIMENSIONS ARE IN INCHES