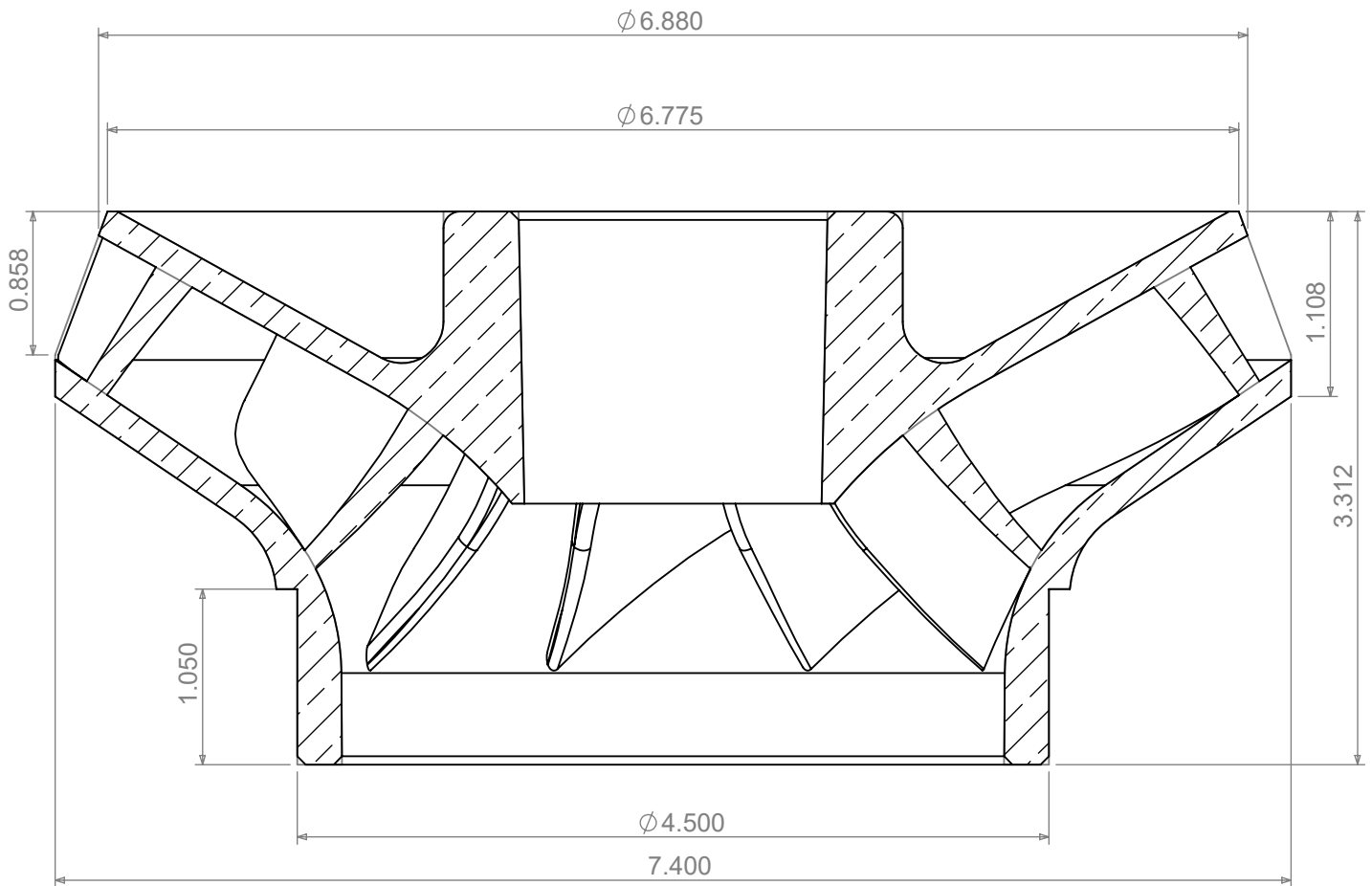


FOR 1.500" SHAFT

NAME	PART No.	MATERIAL
Closed Impeller R9LC	R911503	CDA836 Pb RED BRASS
Closed Impeller R9MC	R911703	CDA836 Pb RED BRASS
Closed Impeller R9HC	R911803	CDA836 Pb RED BRASS



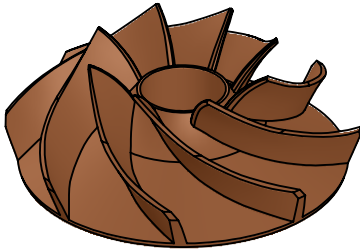
BOMBAS KLASSEN S.A DE C.V
 THIS DRAWING IS THE EXCLUSIVE PROPERTY OF
BOMBAS KLASSEN S.A DE C.V

NO USE WHATSOEVER OF THE INFORMATION
 CONTAINED HEREON MAY BE USED WITHOUT WRITTEN PERMISSION

DEPARTMENT: *GENERAL*

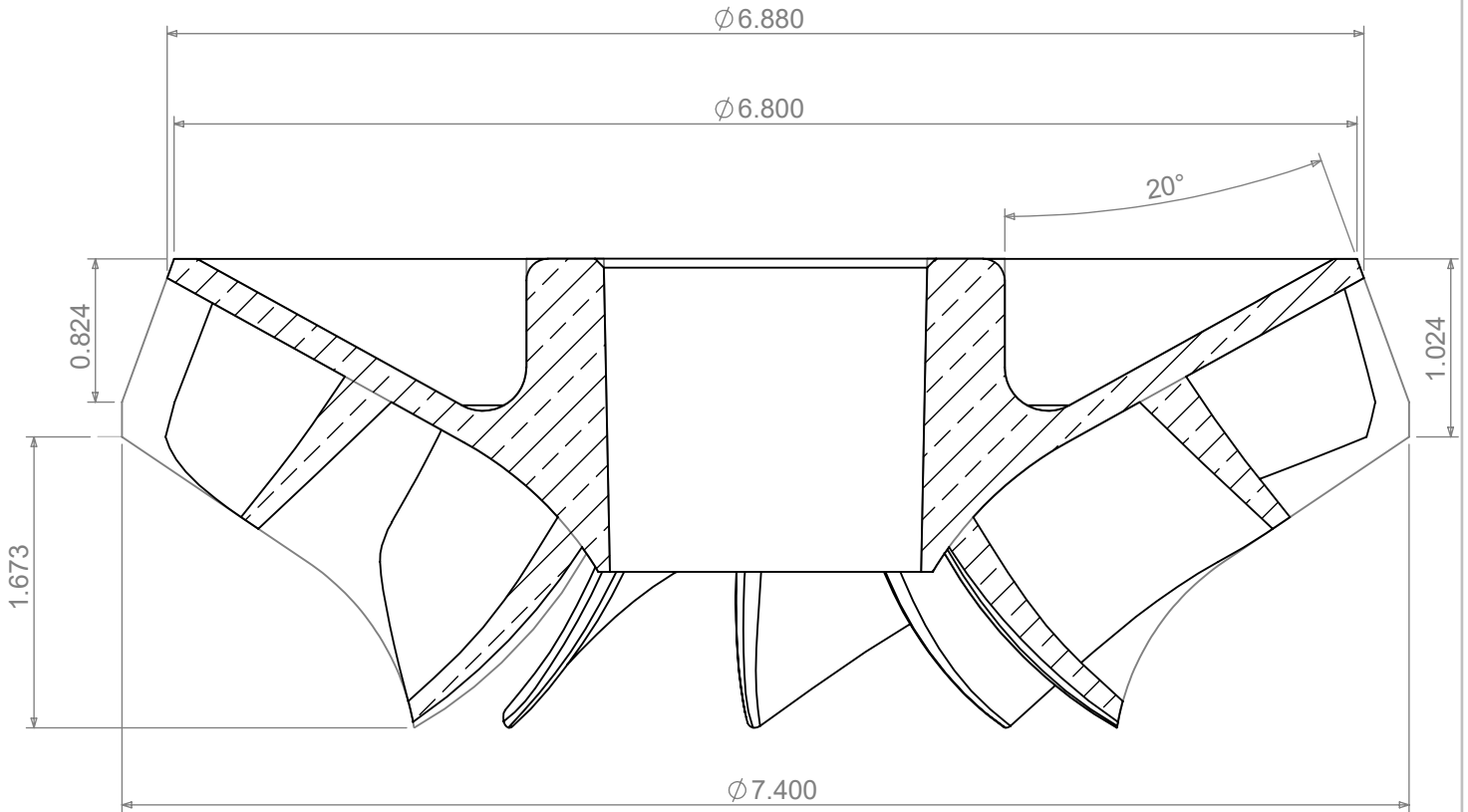
UNLESS OTHERWISE SPECIFIED
 DIMENSIONS ARE IN INCHES

Rev: *0.0.0* SHEET 1 OF 1



FOR 1.500" SHAFT

NAME	PART No.	MATERIAL
Open Impeller R9LO	R910503	CDA836 Pb RED BRASS
Open Impeller R9MO	R910703	CDA836 Pb RED BRASS
Open Impeller R9HO	R910803	CDA836 Pb RED BRASS



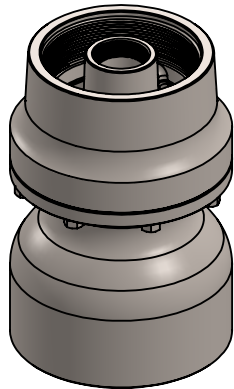
BOMBAS KLASSEN S.A DE C.V
 THIS DRAWING IS THE EXCLUSIVE PROPERTY OF
BOMBAS KLASSEN S.A DE C.V

NO USE WHATSOEVER OF THE INFORMATION
 CONTAINED HEREON MAY BE USED WITHOUT WRITTEN PERMISSION

DEPARTMENT: *GENERAL*

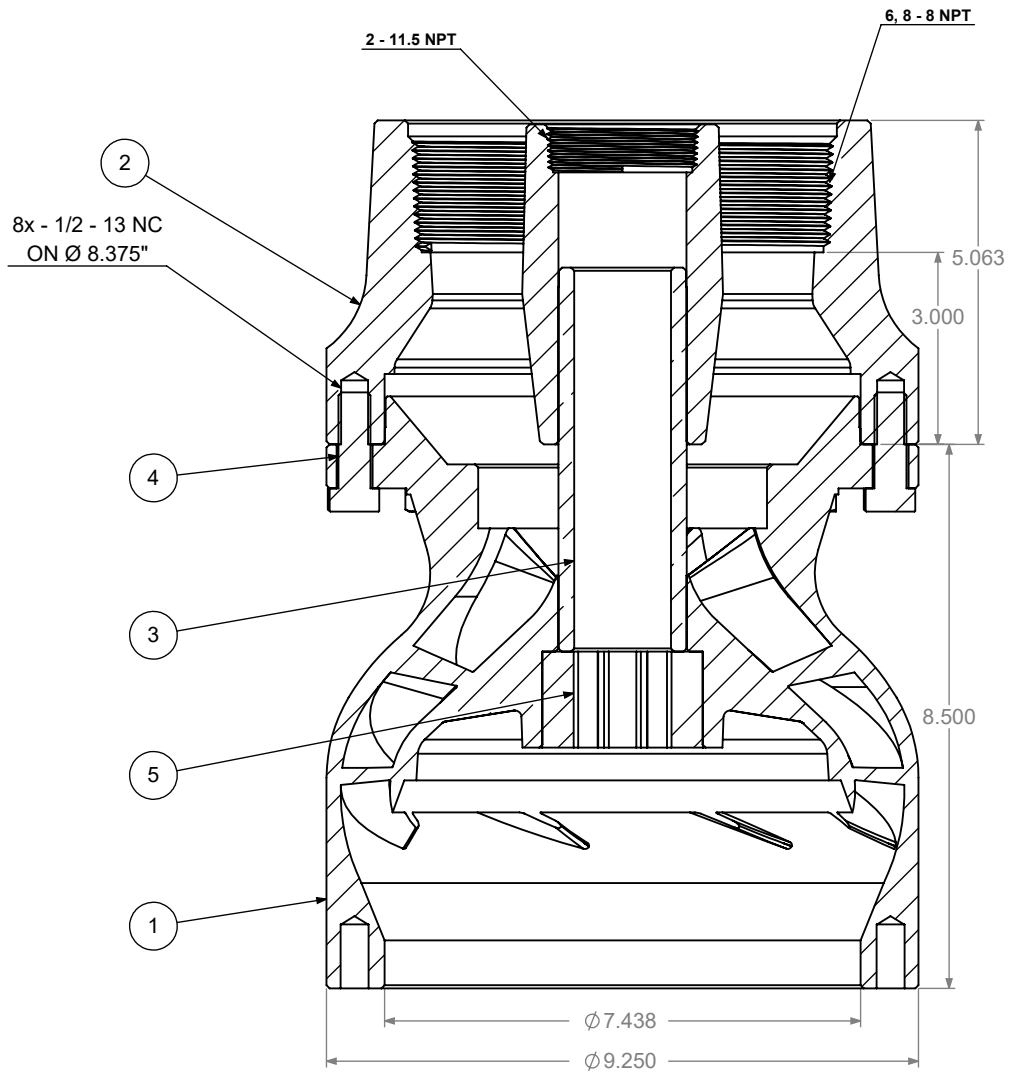
UNLESS OTHERWISE SPECIFIED
 DIMENSIONS ARE IN INCHES

Rev: *0.0.0* SHEET 1 OF 1



FOR 1.500" SHAFT

ASSEMBLY NAME	ASSEMBLY PART No.
Sub Column adapter w bowl/brz brg R9 6-TT	R956060
Sub Column adapter w bowl/brz brg R9 8-TT	R956260



BILL OF MATERIALS

ITEM NO.	PART NAME	QTY	PART No.	MATERIAL
1	SUB COLUMN ADAPTER R9YC 6-TT	1	R956001	CLASS 40 CAST IRON
2	CLOSED BOWL R9YC	1	R931401	CLASS 40 CAST IRON
3	DISCHARGE BEARING 1.500 x 2.000 x 6.000	1	CT150010213	C-844 BRONZE
4	BOWL RUBBER BEARING 1.500 x 2.500 x 1.500	1	CTE150040641	B-72-2 NEOPRENE DURO 70A
5	HEX BOLT 0.500 x 1.500	8	GRAL50020451	GRADE 5

OPTIONAL

ITEM NO.	PART NAME	PART No.	MATERIAL
1	SUB COLUMN ADAPTER R9YC 8-ST	R956201	CLASS 40 CAST IRON



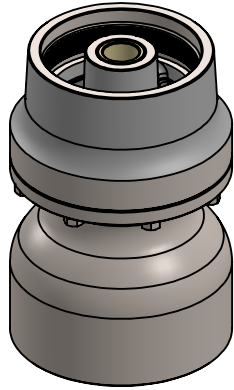
BOMBAS KLASSEN S.A DE C.V.
THIS DRAWING IS THE EXCLUSIVE PROPERTY OF
BOMBAS KLASSEN S.A DE C.V.

NO USE WHATSOEVER OF THE INFORMATION
CONTAINED HEREON MAY BE USED WITHOUT WRITTEN PERMISSION

DEPARTMENT: *GENERAL*

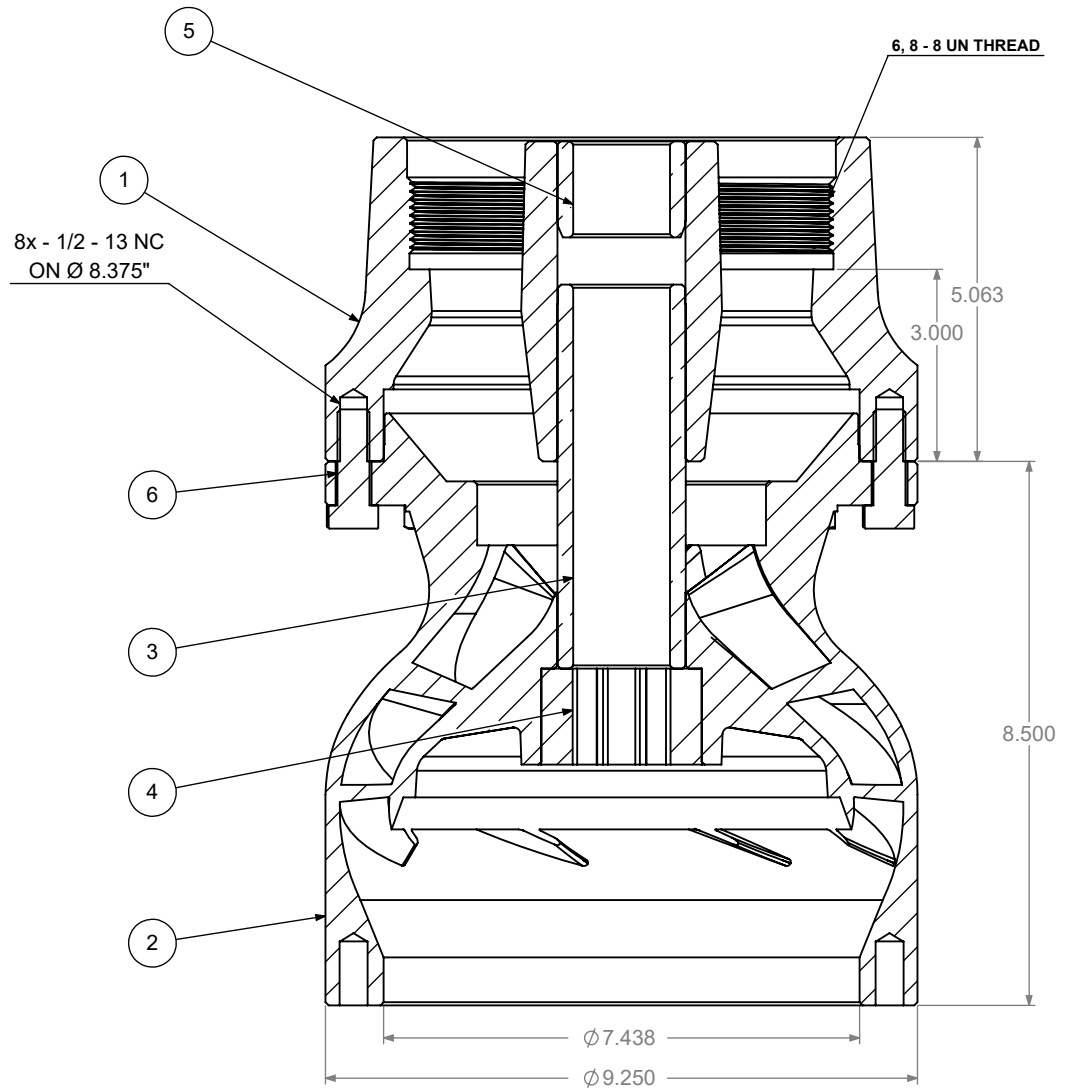
UNLESS OTHERWISE SPECIFIED
DIMENSIONS ARE IN INCHES

Rev: *0.0.0* SHEET 1 OF 1



FOR 1.500" SHAFT

ASSEMBLY NAME	ASSEMBLY PART No.
WL Column adapter w bowl/brz brg R9 6-ST	R955960
WL Column adapter w bowl/brz brg R9 8-ST	R956160



BILL OF MATERIALS

ITEM NO.	PART NAME	QTY	PART No.	MATERIAL
1	WL COLUMN ADAPTER R9YC 6-ST	1	R955901	CLASS 40 CAST IRON
2	CLOSED BOWL R9YC	1	R931401	CLASS 40 CAST IRON
3	DISCHARGE BEARING 1.500 x 2.000 x 6.000	1	CT150010213	C-844 BRONZE
4	BOWL RUBBER BEARING 1.500 x 2.500 x 1.500	1	CTE150040641	B-72-2 NEOPRENE DURO 70A
5	BOWL BRONZE BEARING 1.500 x 2.000 x 1.500	1	CT150011413	C-844 BRONZE
6	HEX BOLT 0.500 x 1.500	8	GRAL50020451	GRADE 5

OPTIONAL

ITEM NO.	PART NAME	PART No.	MATERIAL
1	WL COLUMN ADAPTER R9YC 8-ST	R956101	CLASS 40 CAST IRON



BOMBAS KLASSEN S.A DE C.V
THIS DRAWING IS THE EXCLUSIVE PROPERTY OF
BOMBAS KLASSEN S.A DE C.V

NO USE WHATSOEVER OF THE INFORMATION
CONTAINED HEREON MAY BE USED WITHOUT WRITTEN PERMISSION

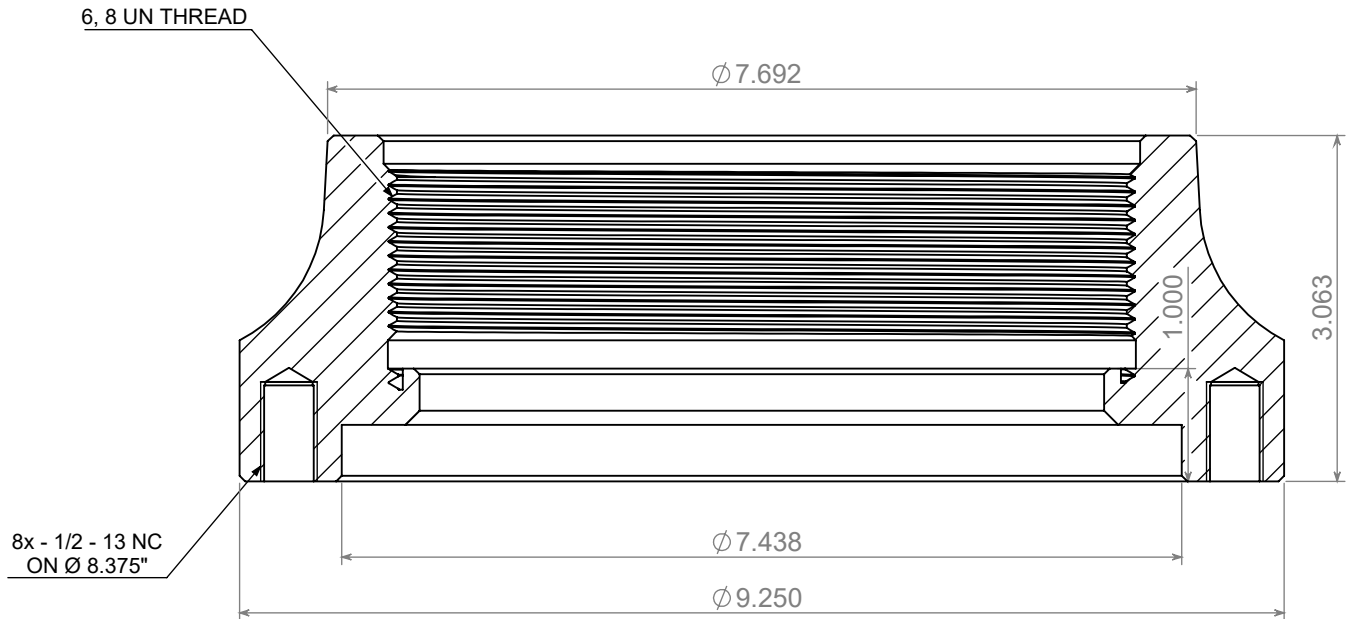
DEPARTMENT: *GENERAL*

UNLESS OTHERWISE SPECIFIED
DIMENSIONS ARE IN INCHES

Rev: *0.0.0* SHEET 1 OF 1



NAME	PART No.	MATERIAL
Column Adapter R9YC 6-ST	R950901	CLASS 40 CAST IRON
Column Adapter R9YC 8-ST	R951101	CLASS 40 CAST IRON
Column Adapter R9YC 6-TT	R951001	CLASS 40 CAST IRON
Column Adapter R9YC 8-TT	R951201	CLASS 40 CAST IRON



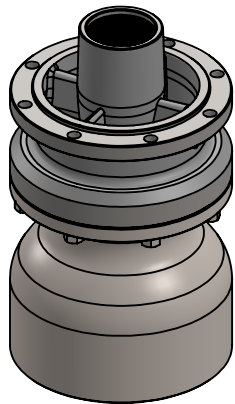
BOMBAS KLASSEN S.A DE C.V
THIS DRAWING IS THE EXCLUSIVE PROPERTY OF
BOMBAS KLASSEN S.A DE C.V

NO USE WHATSOEVER OF THE INFORMATION
CONTAINED HEREON MAY BE USED WITHOUT WRITTEN PERMISSION

UNLESS OTHERWISE SPECIFIED
DIMENSIONS ARE IN INCHES

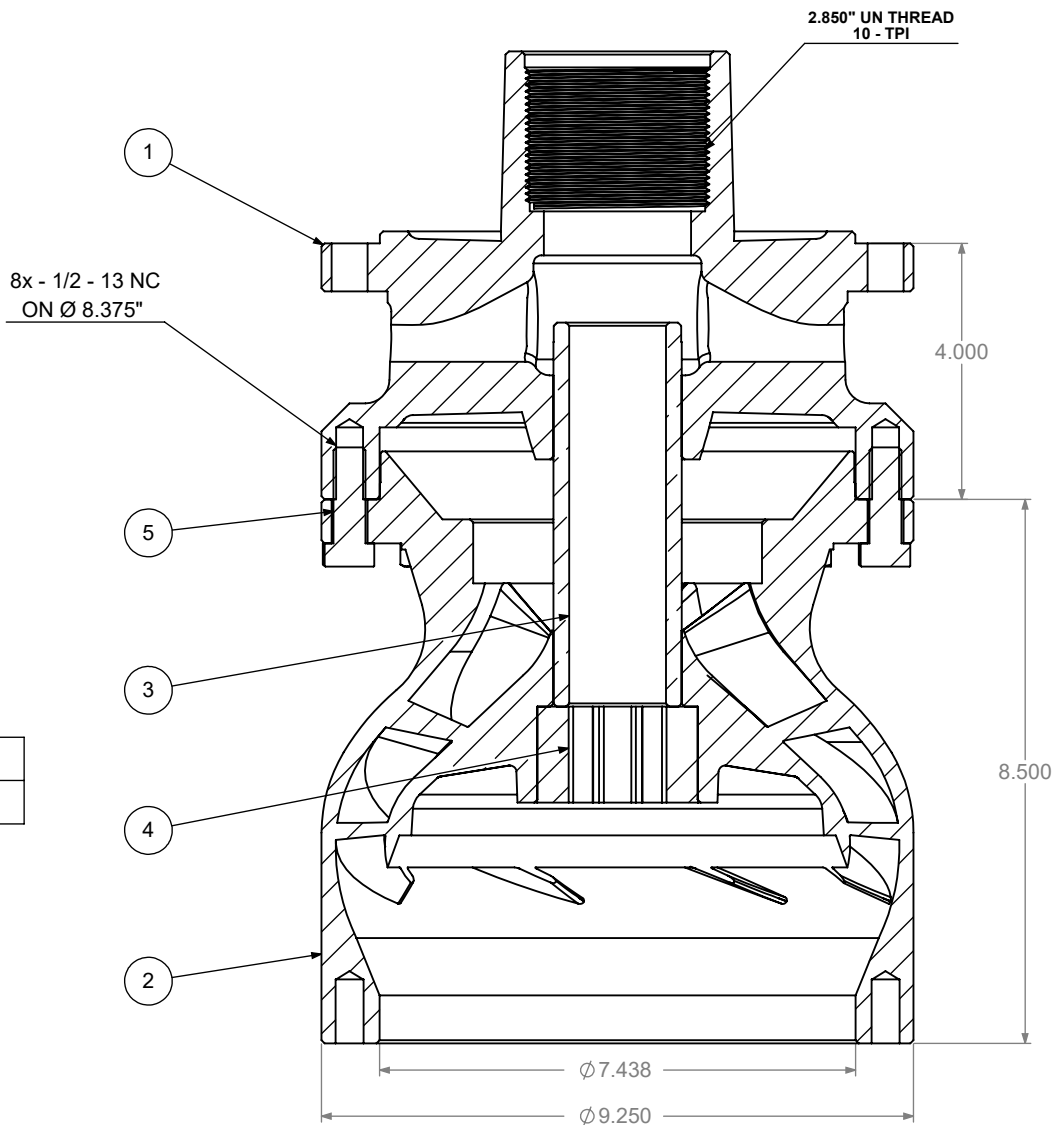
DEPARTMENT: *GENERAL*

Rev: *0.0.0* SHEET 1 OF 1



FOR 1.500" SHAFT

ASSEMBLY NAME	ASSEMBLY PART No.
Discharge w/ enc. bowl and dual brgs R9 2.5-LH	R922060
Discharge w/ enc. bowl and dual brgs R9 2.5-RH	R922160



RH = RIGHT HAND
LH = LEFT HAND

BILL OF MATERIALS

ITEM NO.	PART NAME	QTY	PART No.	MATERIAL
1	DISCHARGE R9YC 2.5-LH	1	R920301	CLASS 40 CAST IRON
2	CLOSED BOWL R9YC	1	R931401	CLASS 40 CAST IRON
3	DISCHARGE BEARING 1.500 x 2.000 x 6.000	1	CT150010213	C-844 BRONZE
4	BOWL RUBBER BEARING 1.500 x 2.500 x 1.500	1	CTE150040641	B-72-2 NEOPRENE DURO 70A
5	HEX BOLT 0.500 x 1.500	8	GRAL50020451	GRADE 5

OPTIONAL

ITEM NO.	PART NAME	PART No.	MATERIAL
1	DISCHARGE R9YC 2.5-RH	R921301	CLASS 40 CAST IRON



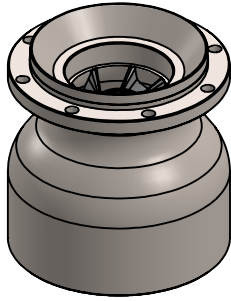
BOMBAS KLASSEN S.A DE C.V
THIS DRAWING IS THE EXCLUSIVE PROPERTY OF
BOMBAS KLASSEN S.A DE C.V

NO USE WHATSOEVER OF THE INFORMATION
CONTAINED HEREON MAY BE USED WITHOUT WRITTEN PERMISSION

DEPARTMENT: *GENERAL*

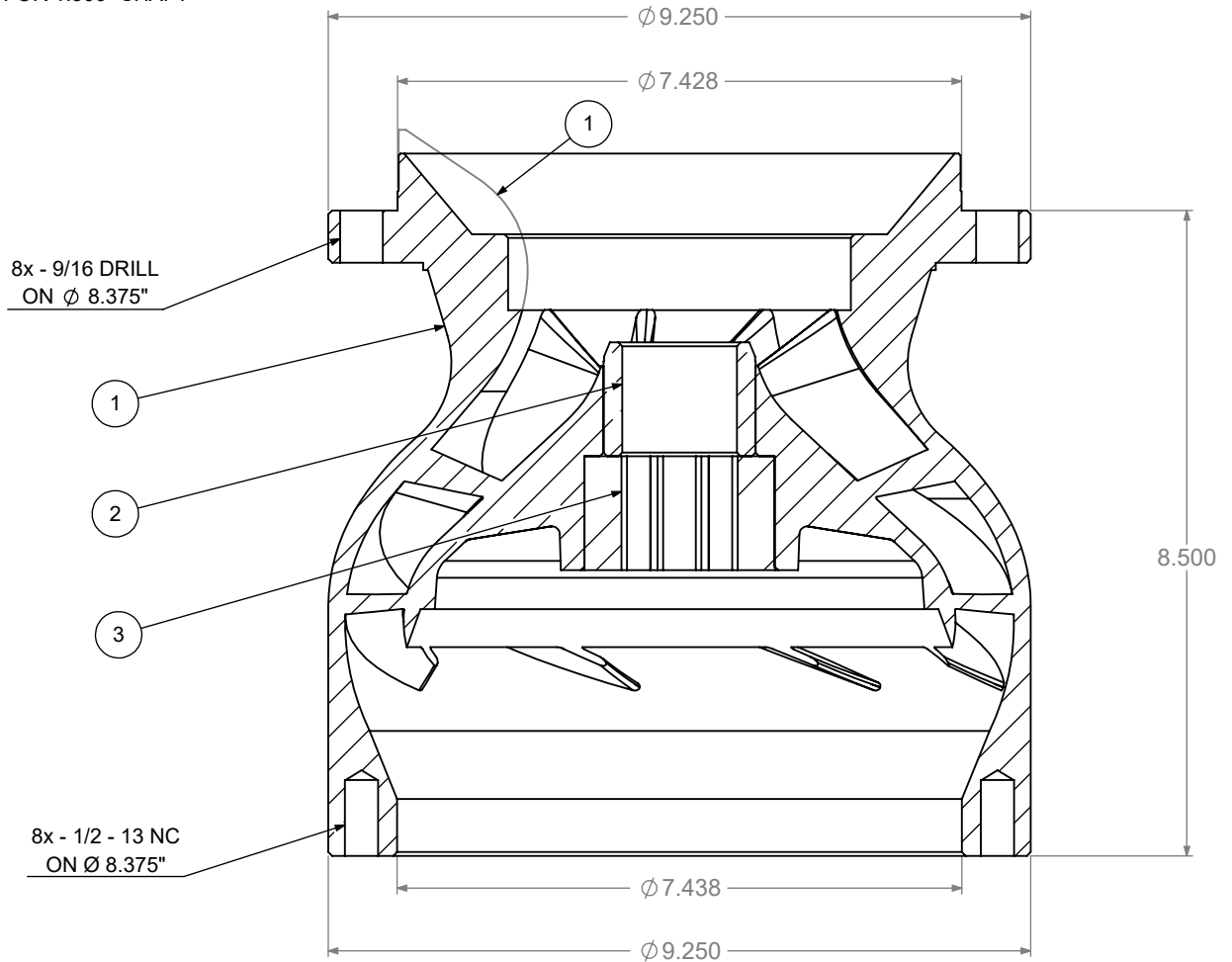
UNLESS OTHERWISE SPECIFIED
DIMENSIONS ARE IN INCHES

Rev: *0.0.0* SHEET 1 OF 1



FOR 1.500" SHAFT

ASSEMBLY NAME	ASSEMBLY PART No.
Closed Bowl w/ dual brgs R9YC	R931460
Open Bowl w/ dual brgs R9YO	R930460



BILL OF MATERIALS

ITEM NO.	PART NAME	QTY	PART No.	MATERIAL
1	CLOSED BOWL R9YC	1	R931401	CLASS 40 CAST IRON
2	BOWL BRONZE BEARING 1.500 x 2.000 x 1.500	1	CT150011413	C-844 BRONZE
3	BOWL RUBBER BEARING 1.500 x 2.500 x 1.500	1	CTE150040641	B-72-2 NEOPRENE DURO 70A

OPTIONAL

ITEM NO.	PART NAME	PART No.	MATERIAL
1	OPEN BOWL R9YO	R930401	CLASS 40 CAST IRON



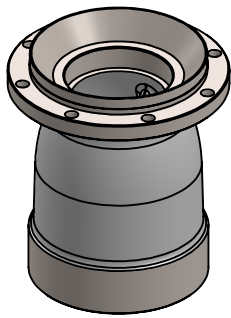
BOMBAS KLASSEN S.A DE C.V
THIS DRAWING IS THE EXCLUSIVE PROPERTY OF
BOMBAS KLASSEN S.A DE C.V

NO USE WHATSOEVER OF THE INFORMATION
CONTAINED HEREON MAY BE USED WITHOUT WRITTEN PERMISSION

DEPARTMENT: *GENERAL*

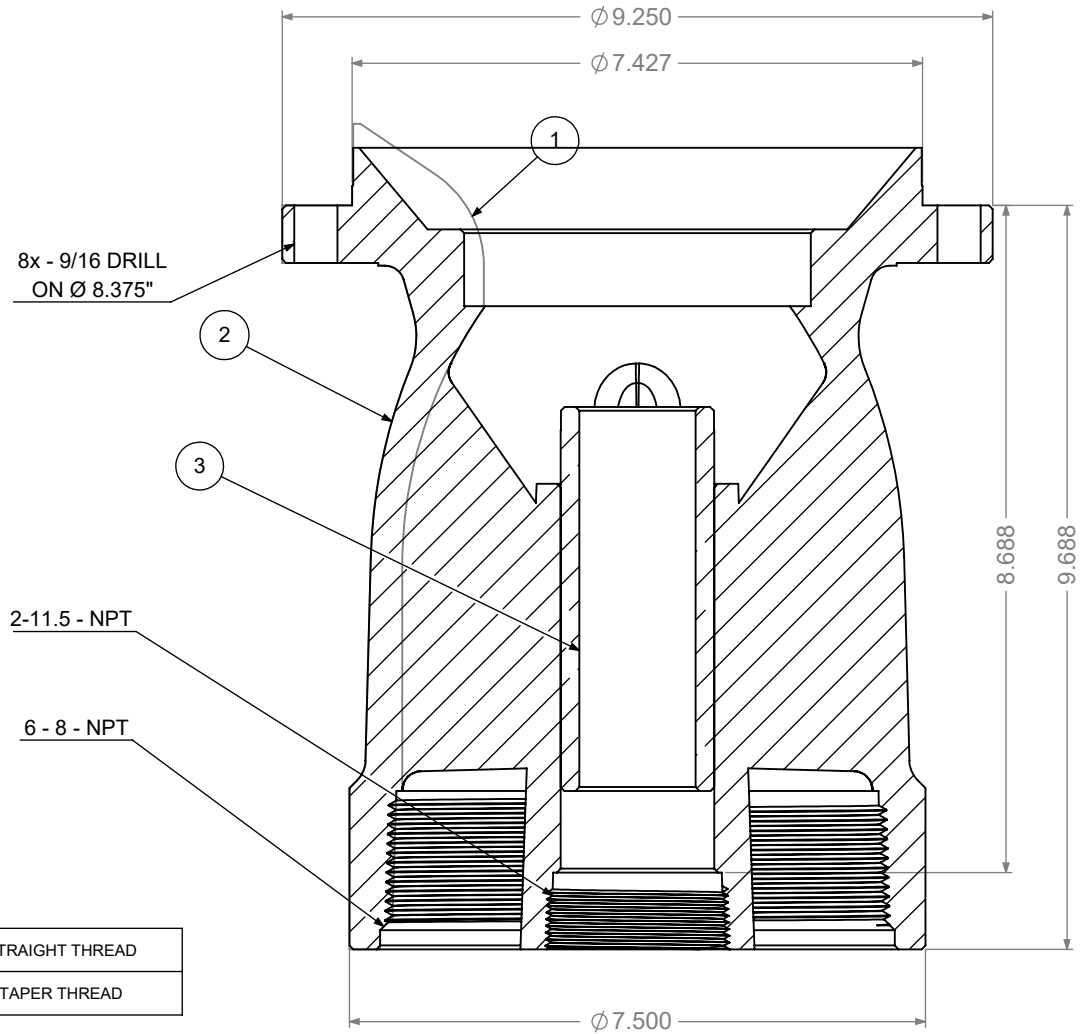
UNLESS OTHERWISE SPECIFIED
DIMENSIONS ARE IN INCHES

Rev: *0.0.0* SHEET 1 OF 1



FOR 1.500" SHAFT

ASSEMBLY NAME	ASSEMBLY PART No.
Suction case w/brz bearing R9YO open 6-ST	R940560
Suction case w/brz bearing R9YO open 6-TT	R940660
Suction case w/brz bearing R9YC closed 6-ST	R941560
Suction case w/brz bearing R9YC closed 6-TT	R941660



ST = STRAIGHT THREAD
TT = TAPER THREAD

BILL OF MATERIALS

ITEM No.	NAME	QTY	PART No.	MATERIAL
1	SUCTION CASE R9YO 6-TT	1	R940601	CLASS 40 CAST IRON
2	SUCTION CASE R9YC 6-TT	1	R941601	CLASS 40 CAST IRON
3	SUCTION BOWL BEARING 1.500 x 2.000 x 5.000	1	CT150012113	C-844 BRONZE

OPTIONAL

ITEM NO.	PART NAME	PART No.	MATERIAL
1	SUCTION CASE R9YO 6-ST	R940501	CLASS 40 CAST IRON
2	SUCTION CASE R9YC 6-ST	R941501	CLASS 40 CAST IRON



BOMBAS KLASSEN S.A DE C.V.
THIS DRAWING IS THE EXCLUSIVE PROPERTY OF
BOMBAS KLASSEN S.A DE C.V.

NO USE WHATSOEVER OF THE INFORMATION
CONTAINED HEREON MAY BE USED WITHOUT WRITTEN PERMISSION

DEPARTMENT: *GENERAL*

UNLESS OTHERWISE SPECIFIED
DIMENSIONS ARE IN INCHES

Rev: *0.0.0* SHEET 1 OF 1