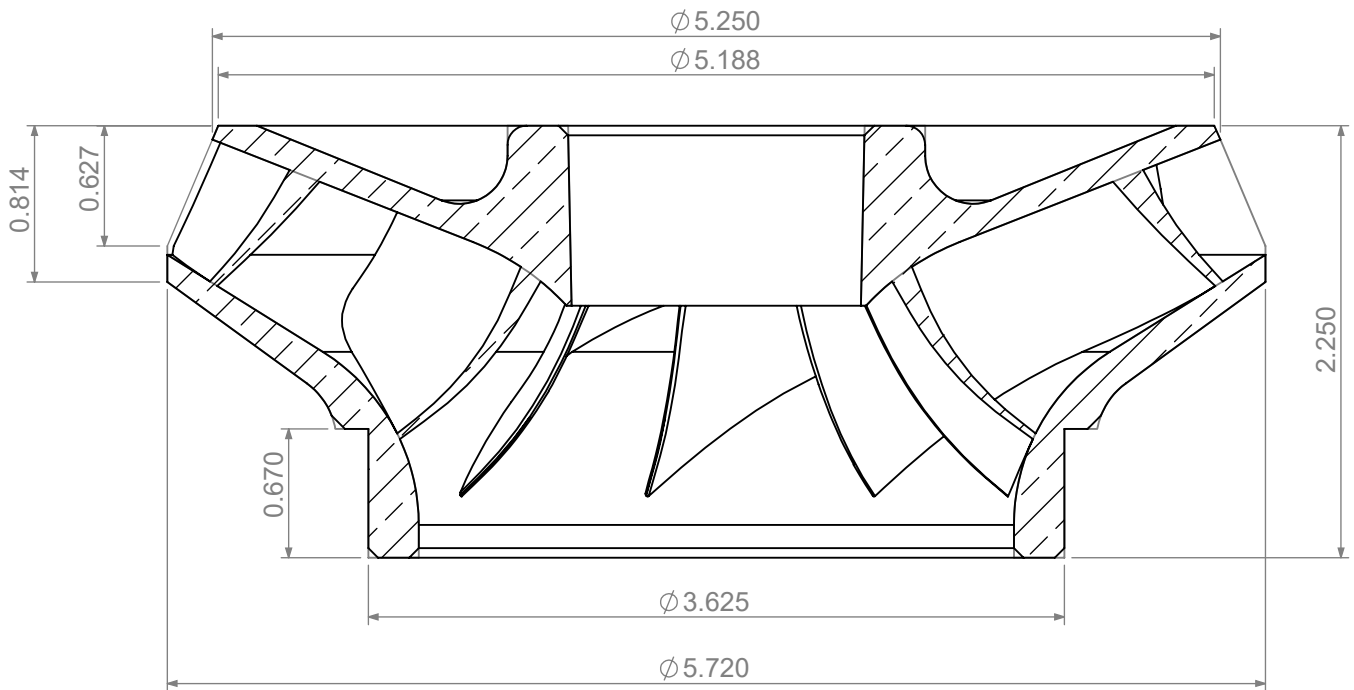


FOR 1.188" SHAFT

NAME	PART No.	MATERIAL
Closed Impeller R7LC	R711503	CDA836 Pb RED BRASS
Closed Impeller R7HC	R711803	CDA836 Pb RED BRASS



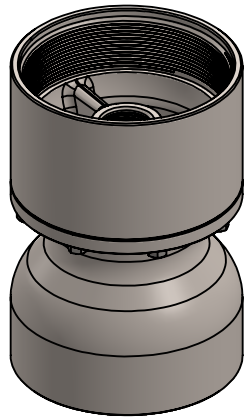
**BOMBAS KLASSEN S.A DE C.V**  
 THIS DRAWING IS THE EXCLUSIVE PROPERTY OF  
**BOMBAS KLASSEN S.A DE C.V**

NO USE WHATSOEVER OF THE INFORMATION  
 CONTAINED HEREON MAY BE USED WITHOUT WRITTEN PERMISSION

DEPARTMENT: *GENERAL*

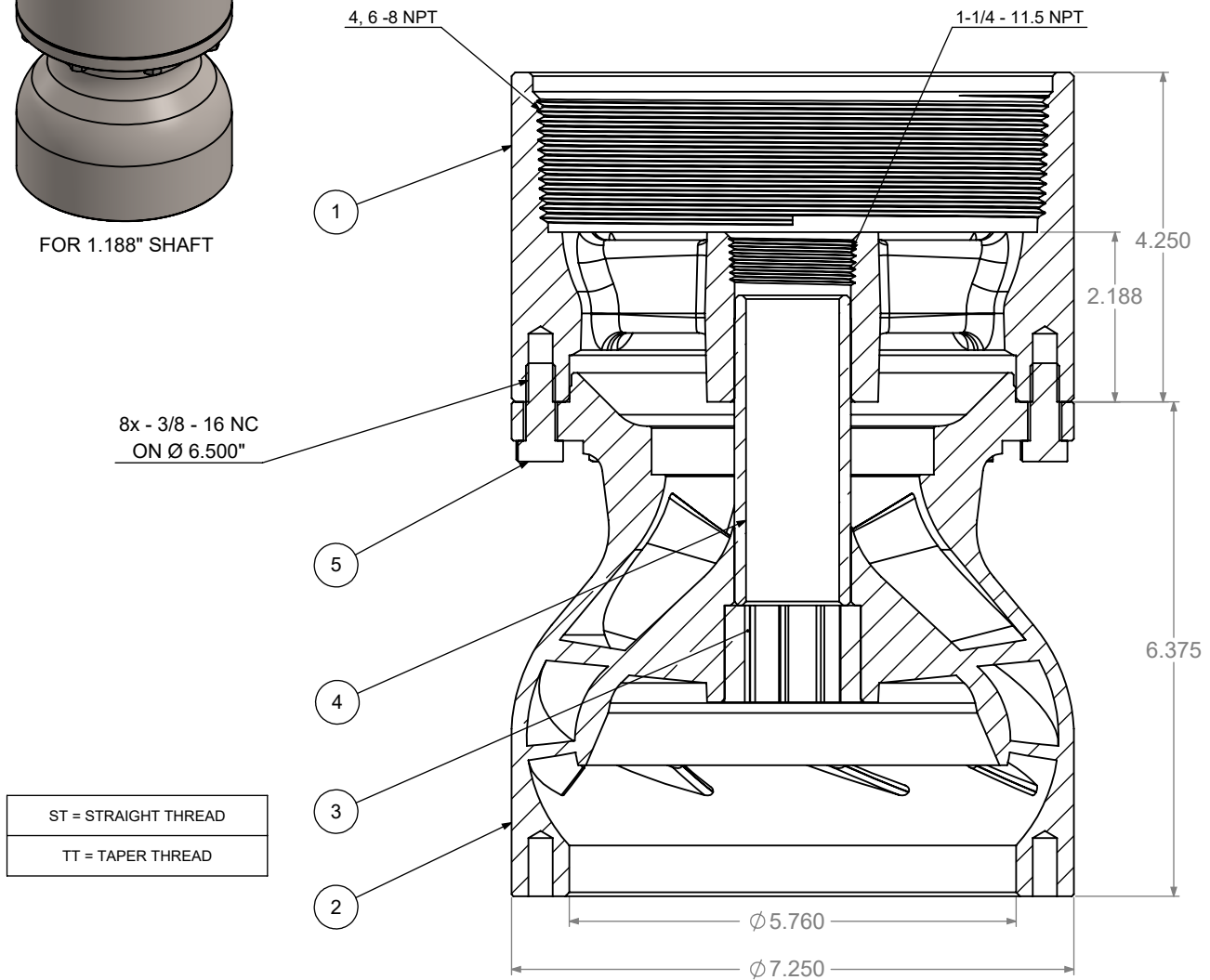
UNLESS OTHERWISE SPECIFIED  
 DIMENSIONS ARE IN INCHES

Rev: *0.0.0* SHEET 1 OF 1



FOR 1.188" SHAFT

ASSEMBLY NAME	ASSEMBLY PART No.
Sub Column adapter w bowl/brz brg R7 4-TT	R755660
Sub Column adapter w bowl/brz brg R7 6-TT	R756060



**BILL OF MATERIALS**

ITEM NO.	PART NAME	QTY	PART No.	MATERIAL
1	SUB COLUMN ADAPTER R7YC 6-TT	1	R731401	CLASS 40 CAST IRON
2	COMBINED INTER BOWL R7YC CLOSED	1	R756001	CLASS 40 CAST IRON
3	BOWL RUBBER BEARING 1.188 x 1.750 x 1.250	1	CTE118840541	B-72-2 NEOPRENE DURO 70A
4	DISCHARGE CASE BEARING 1.188 x 1.500 x 4.000	1	CT118810313	C-844 BRONZE
5	HEX BOLT 0.375 x 1.000	8	GRAL37521715	304 STAINLESS STEEL

**OPTIONAL**

ITEM NO.	PART NAME	PART No.	MATERIAL
1	SUB COLUMN ADAPTER R7YC 4-TT	R755601	CLASS 40 CAST IRON



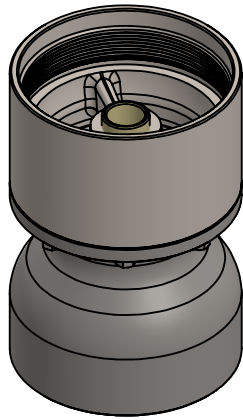
**BOMBAS KLASSEN S.A DE C.V**  
THIS DRAWING IS THE EXCLUSIVE PROPERTY OF  
**BOMBAS KLASSEN S.A DE C.V**

NO USE WHATSOEVER OF THE INFORMATION  
CONTAINED HEREON MAY BE USED WITHOUT WRITTEN PERMISSION

DEPARTMENT: *MACHINING*

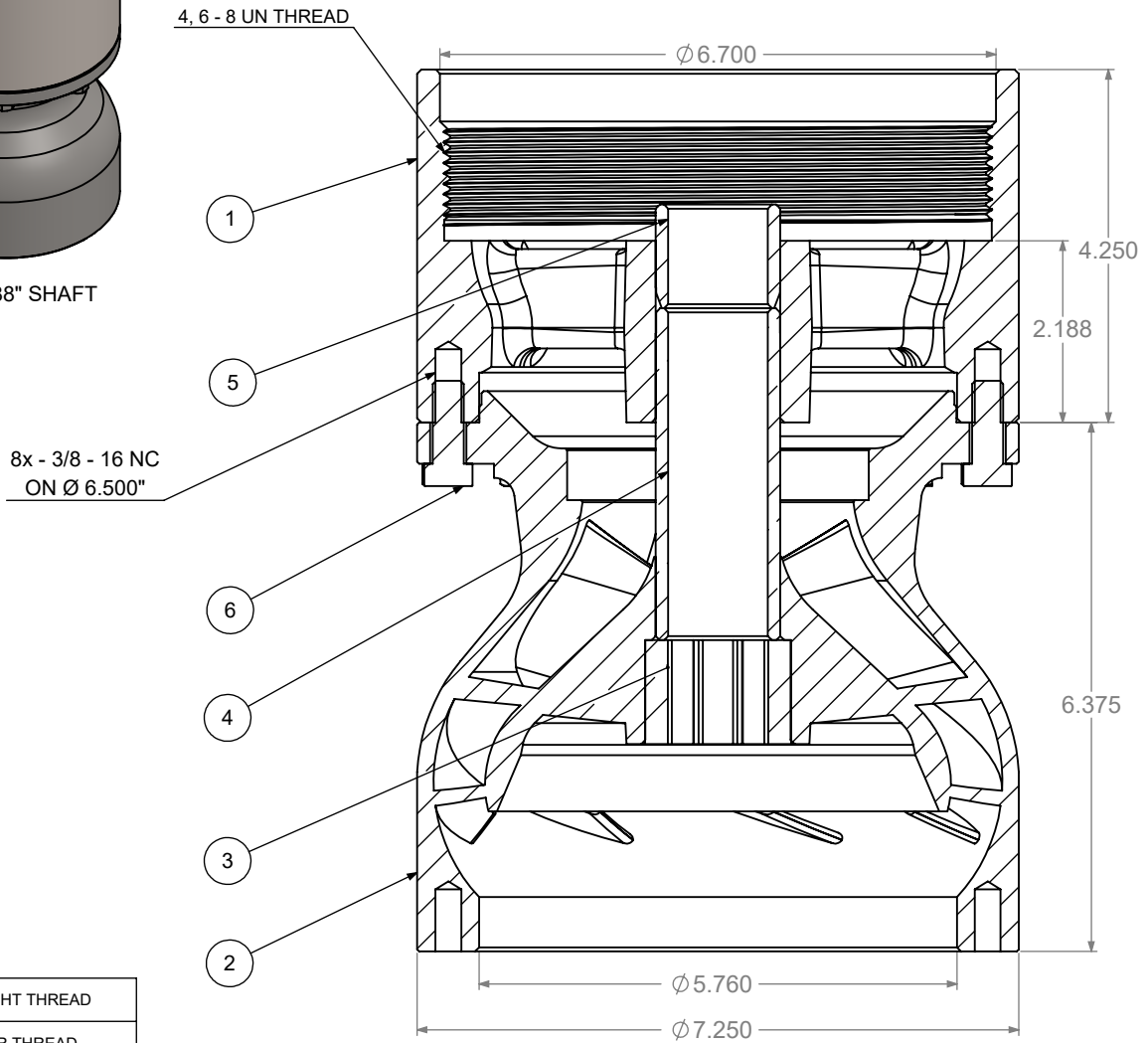
UNLESS OTHERWISE SPECIFIED  
DIMENSIONS ARE IN INCHES

Rev: *0.0.0* SHEET 1 OF 1



FOR 1.188" SHAFT

ASSEMBLY NAME	ASSEMBLY PART No.
WL Column adapter w bowl/brz brg R7 4-ST	R755560
WL Column adapter w bowl/brz brg R7 6-ST	R755960



ST = STRAIGHT THREAD
TT = TAPER THREAD

**BILL OF MATERIALS**

ITEM NO.	PART NAME	QTY	PART No.	MATERIAL
1	WL COLUMN ADAPTER R7YC 6-ST	1	R755901	CLASS 40 CAST IRON
2	COMBINED INTER BOWL R7YC CLOSED	1	R731401	CLASS 40 CAST IRON
3	BOWL RUBBER BEARING 1.188 x 1.750 x 1.250	1	CTE118840541	B-72-2 NEOPRENE DURO 70A
4	DISCHARGE CASE BEARING 1.188 x 1.500 x 4.000	1	CT118811213	C-844 BRONZE
5	BOWL BRONZE BEARING 1.188 x 1.500 x 1.250	1	CT118811213	C-844 BRONZE
6	HEX BOLT 0.375 x 1.000	8	GRAL37521715	304 STAINLESS STEEL

**OPTIONAL**

ITEM NO.	PART NAME	PART No.	MATERIAL
1	WL COLUMN ADAPTER R7YC 4-ST	R755501	CLASS 40 CAST IRON



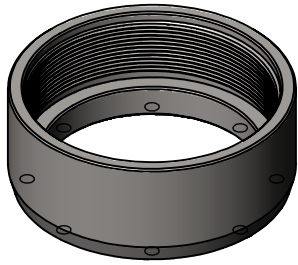
**BOMBAS KLASSEN S.A DE C.V**  
 THIS DRAWING IS THE EXCLUSIVE PROPERTY OF  
**BOMBAS KLASSEN S.A DE C.V**

NO USE WHATSOEVER OF THE INFORMATION  
 CONTAINED HEREON MAY BE USED WITHOUT WRITTEN PERMISSION

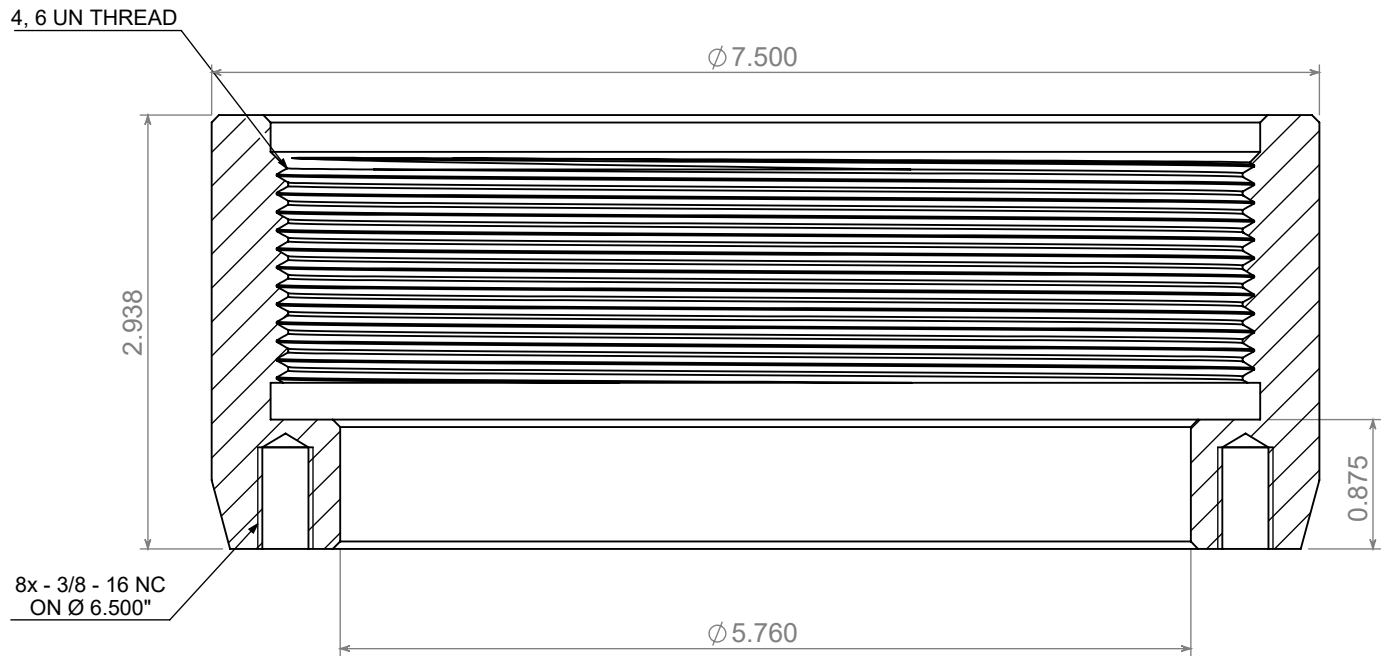
DEPARTMENT: *GENERAL*

UNLESS OTHERWISE SPECIFIED  
 DIMENSIONS ARE IN INCHES

Rev: *0.0.0* SHEET 1 OF 1



NAME	PART No.	MATERIAL
Column Adapter R7YC 4-ST	R750501	CLASS 40 CAST IRON
Column Adapter R7YC 6-ST	R750901	CLASS 40 CAST IRON
Column Adapter R7YC 4-TT	R750601	CLASS 40 CAST IRON
Column Adapter R7YC 6-TT	R751001	CLASS 40 CAST IRON



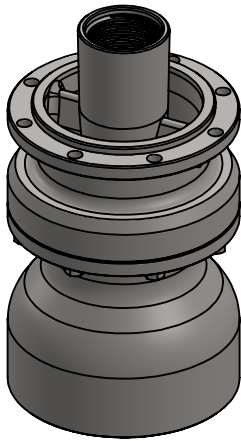
**BOMBAS KLASSEN S.A DE C.V**  
 THIS DRAWING IS THE EXCLUSIVE PROPERTY OF  
**BOMBAS KLASSEN S.A DE C.V**

NO USE WHATSOEVER OF THE INFORMATION  
 CONTAINED HEREON MAY BE USED WITHOUT WRITTEN PERMISSION

DEPARTMENT: *GENERAL*

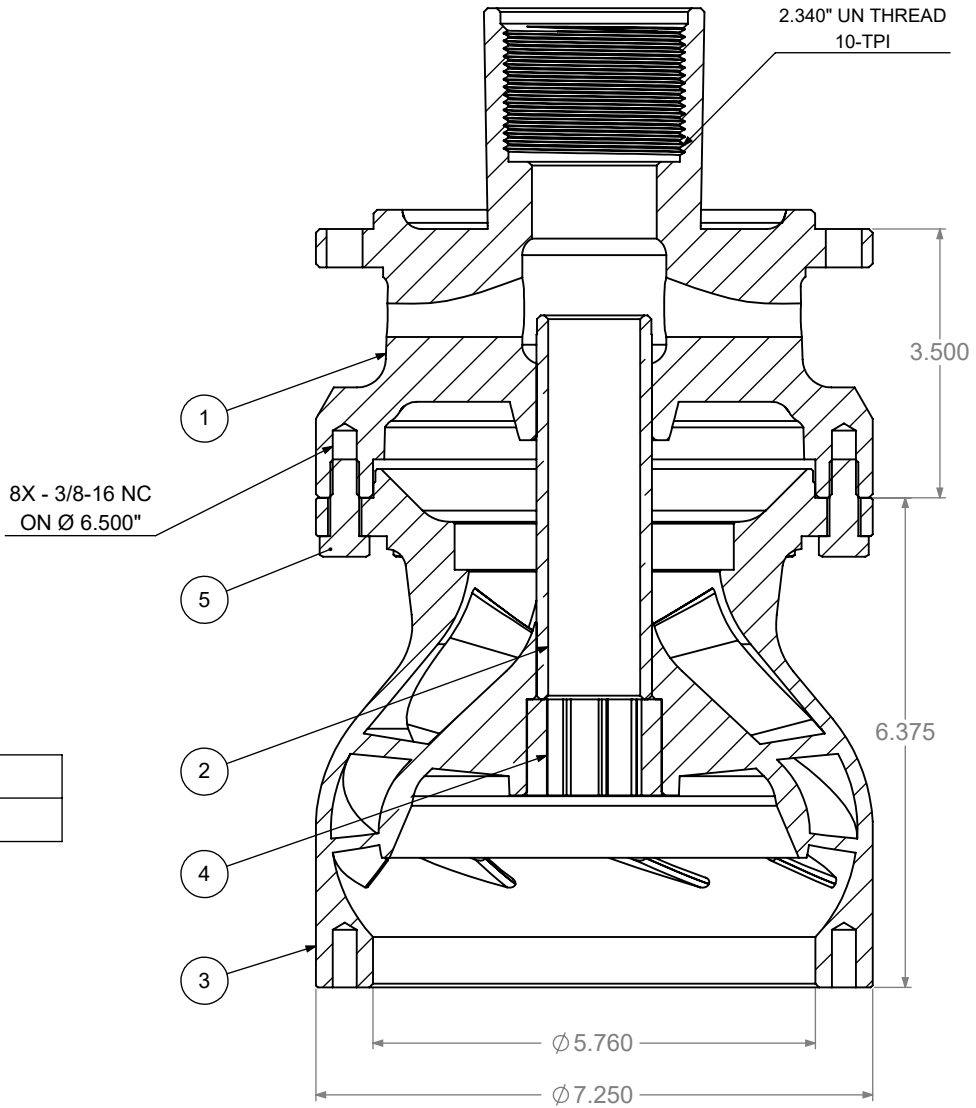
UNLESS OTHERWISE SPECIFIED  
 DIMENSIONS ARE IN INCHES

Rev: *0.0.0* SHEET 1 of 1



FOR 1.188" SHAFT

ASSEMBLY NAME	ASSEMBLY PART No.
Discharge w/ enc. bowl and dual brgs R7 2-LH	R722060
Discharge w/ enc. bowl and dual brgs R7 2-RH	R722160



RH = RIGHT HAND
LH = LEFT HAND

**BILL OF MATERIALS**

ITEM NO.	PART NAME	QTY	PART No.	MATERIAL
1	DISCHARGE R7YC 2-LH	1	R720201	CLASS 40 CAST IRON
2	DISCHARGE BEARING 1.188 x 1.500 x 5.000	1	CT118810113	C-844 BRONZE
3	COMBINED INTER BOWL R7YC CLOSED	1	R731401	CLASS 40 CAST IRON
4	BOWL RUBBER BEARING 1.188 x 1.750 x 1.250	1	CTE118840541	B-72-2 NEOPRENE DURO 70A
5	HEX BOLT 0.375 x 1.000	8	GRAL37521715	304 STAINLESS STEEL

**OPTIONAL**

ITEM NO.	PART NAME	PART No.	MATERIAL
1	DISCHARGE R7YC 2-RH	R721201	CLASS 40 CAST IRON



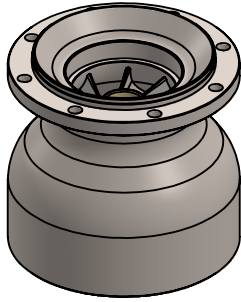
**BOMBAS KLASSEN S.A DE C.V**  
THIS DRAWING IS THE EXCLUSIVE PROPERTY OF  
**BOMBAS KLASSEN S.A DE C.V**

NO USE WHATSOEVER OF THE INFORMATION  
CONTAINED HEREON MAY BE USED WITHOUT WRITTEN PERMISSION

DEPARTMENT: *GENERAL*

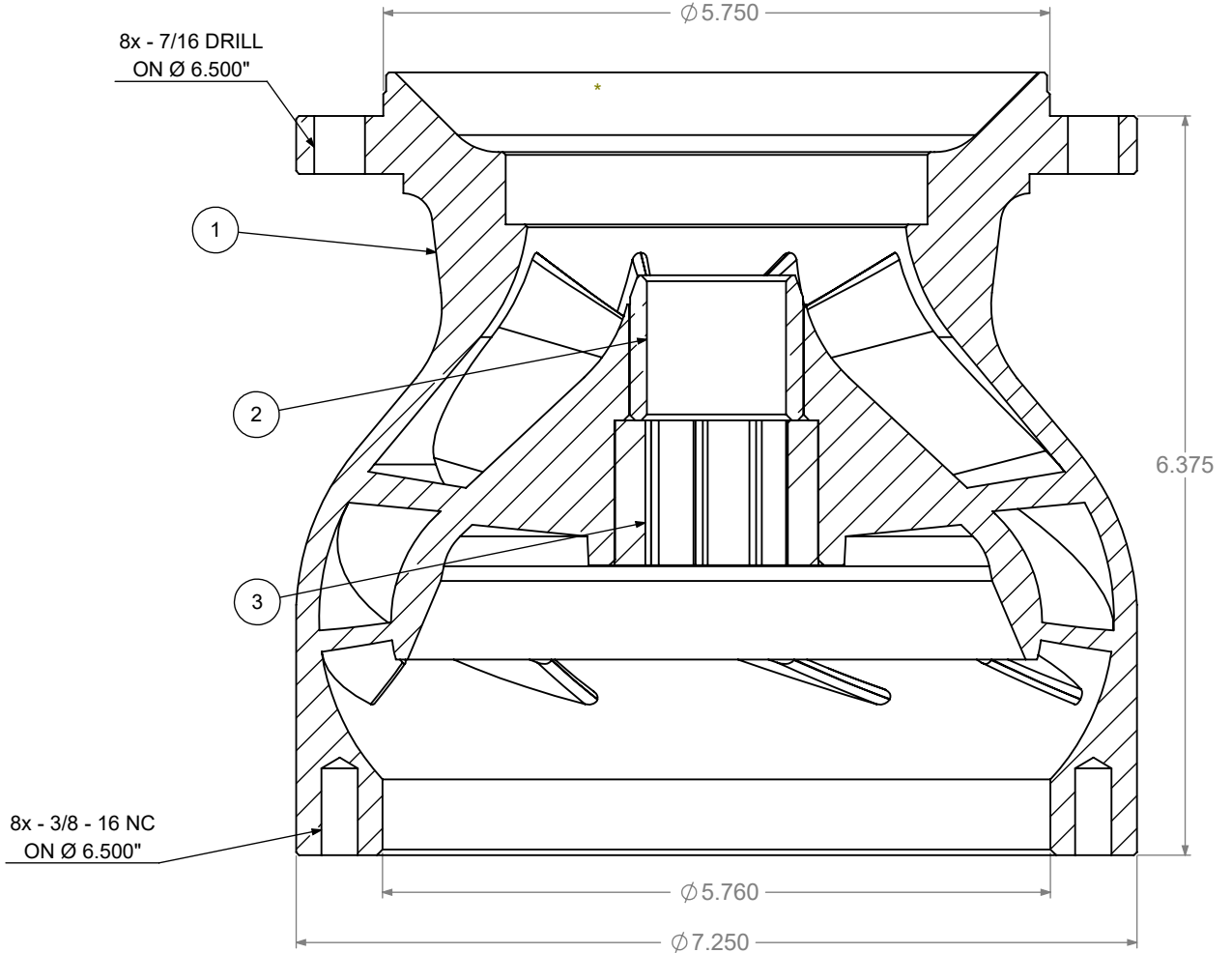
UNLESS OTHERWISE SPECIFIED  
DIMENSIONS ARE IN INCHES

Rev: *0.0.0* SHEET 1 OF 1



ASSEMBLY NAME	ASSEMBLY PART No.
Closed Bowl w/ dual brgs R7YC	R731460

FOR 1.188" SHAFT



BILL OF MATERIALS

ITEM NO.	PART NAME	QTY	PART No.	MATERIAL
1	COMBINED INTER BOWL R7YC CLOSED	1	R731401	CLASS 40 CAST IRON
2	BOWL BRONZE BEARING 1.188 x 1.500 x 1.250	1	CT118811213	C-844 BRONZE
3	BOWL RUBBER BEARING 1.188 x 1.750 x 1.250	1	CTE118840541	B-72-2 NEOPRENE DURO 70A

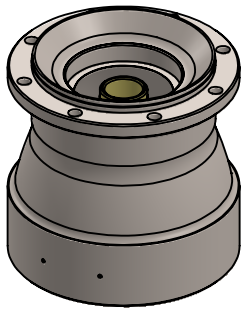


**BOMBAS KLASSEN S.A DE C.V**  
THIS DRAWING IS THE EXCLUSIVE PROPERTY OF  
**BOMBAS KLASSEN S.A DE C.V**

NO USE WHATSOEVER OF THE INFORMATION  
CONTAINED HEREON MAY BE USED WITHOUT WRITTEN PERMISSION

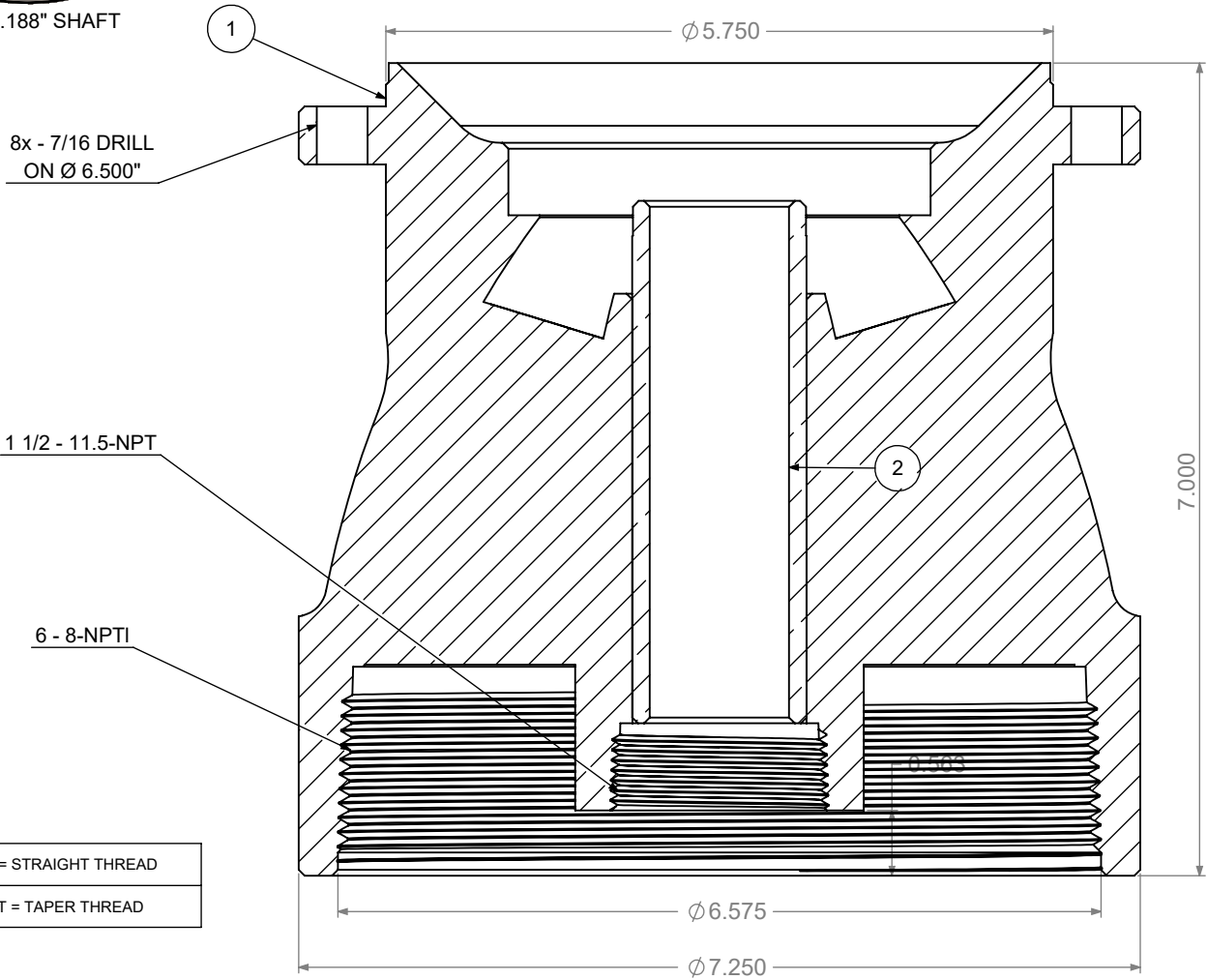
DEPARTMENT: <i>GENERAL</i>
Rev: <i>0.0.0</i> SHEET 1 OF 1

UNLESS OTHERWISE SPECIFIED  
DIMENSIONS ARE IN INCHES



FOR 1.188" SHAFT

ASSEMBLY NAME	ASSEMBLY PART No.
Suction case w/brz bearing R7YC closed 6-TT	R741660
Suction case w/brz bearing R7YC closed 6-ST	R741560



ST = STRAIGHT THREAD
TT = TAPER THREAD

**BILL OF MATERIALS**

ITEM NO.	PART NAME	QTY	PART No.	MATERIAL
1	SUCTION CASE R7YC 6-TT	1	R741601	CLASS 40 CAST IRON
2	SUCTION BOWL BEARING 1.188 X 1.500 X 4.500	1	CT118812113	C-844 BRONZE

**OPTIONAL**

ITEM NO.	PART NAME	PART No.	MATERIAL
1	SUCTION CASE R7YC 6-ST	R741501	CLASS 40 CAST IRON



**BOMBAS KLASSEN S.A DE C.V.**  
THIS DRAWING IS THE EXCLUSIVE PROPERTY OF  
**BOMBAS KLASSEN S.A DE C.V.**

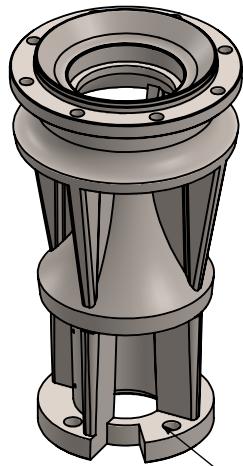
NO USE WHATSOEVER OF THE INFORMATION  
CONTAINED HEREON MAY BE USED WITHOUT WRITTEN PERMISSION

DEPARTMENT: *GENERAL*

UNLESS OTHERWISE SPECIFIED  
DIMENSIONS ARE IN INCHES

Rev: *0.0.0* SHEET 1 OF 1

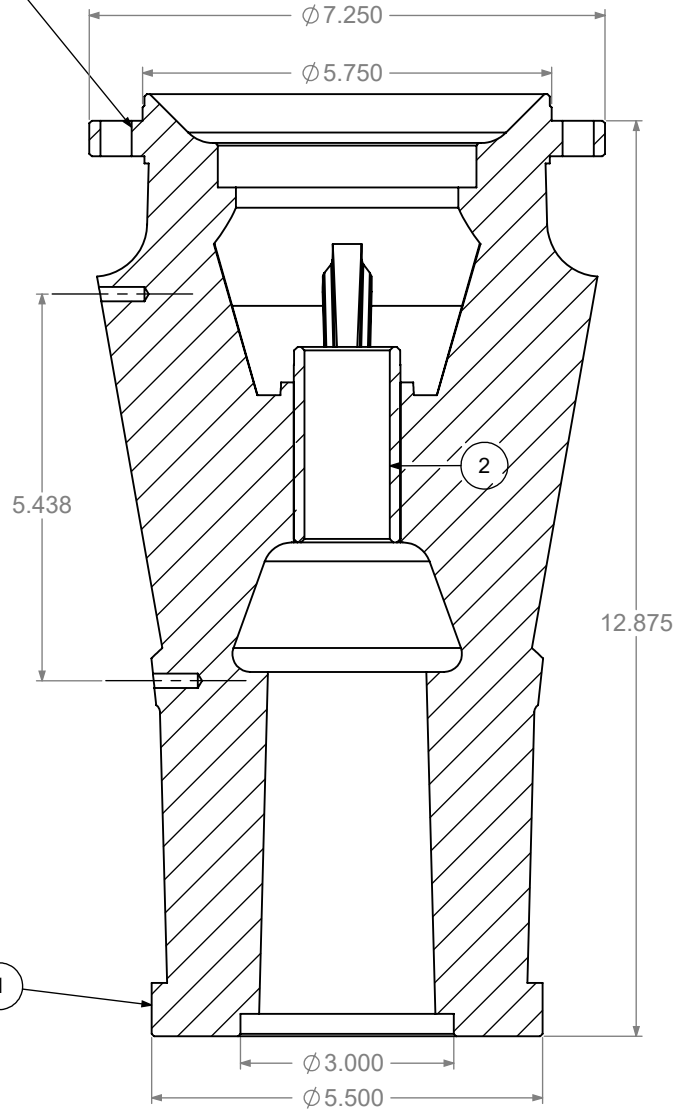
ASSEMBLY NAME	ASSEMBLY PART No.
Suction case w/brz bearing R7YC closed nema 6 CI	R744260



FOR 1.188" SHAFT

8x - 7/16 DRILL  
ON Ø 6.500"

4x - 9/16 DRILL  
ON Ø 4.375"



BILL OF MATERIALS

ITEM NO.	PART NAME	QTY	PART No.	MATERIAL
1	SUCTION CASE R7YC NEMA 6	1	R744201	CLASS 40 CAST IRON
2	BOWL BEARING 1.188 x 1.500 x 2.750	1	CT118811113	C-844 BRONZE



**BOMBAS KLASSEN S.A DE C.V**  
THIS DRAWING IS THE EXCLUSIVE PROPERTY OF  
**BOMBAS KLASSEN S.A DE C.V**

NO USE WHATSOEVER OF THE INFORMATION  
CONTAINED HEREON MAY BE USED WITHOUT WRITTEN PERMISSION

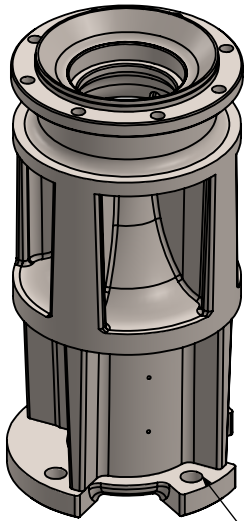
DEPARTMENT: *GENERAL*

UNLESS OTHERWISE SPECIFIED  
DIMENSIONS ARE IN INCHES

Rev: *0.0.0* SHEET 1 OF 1



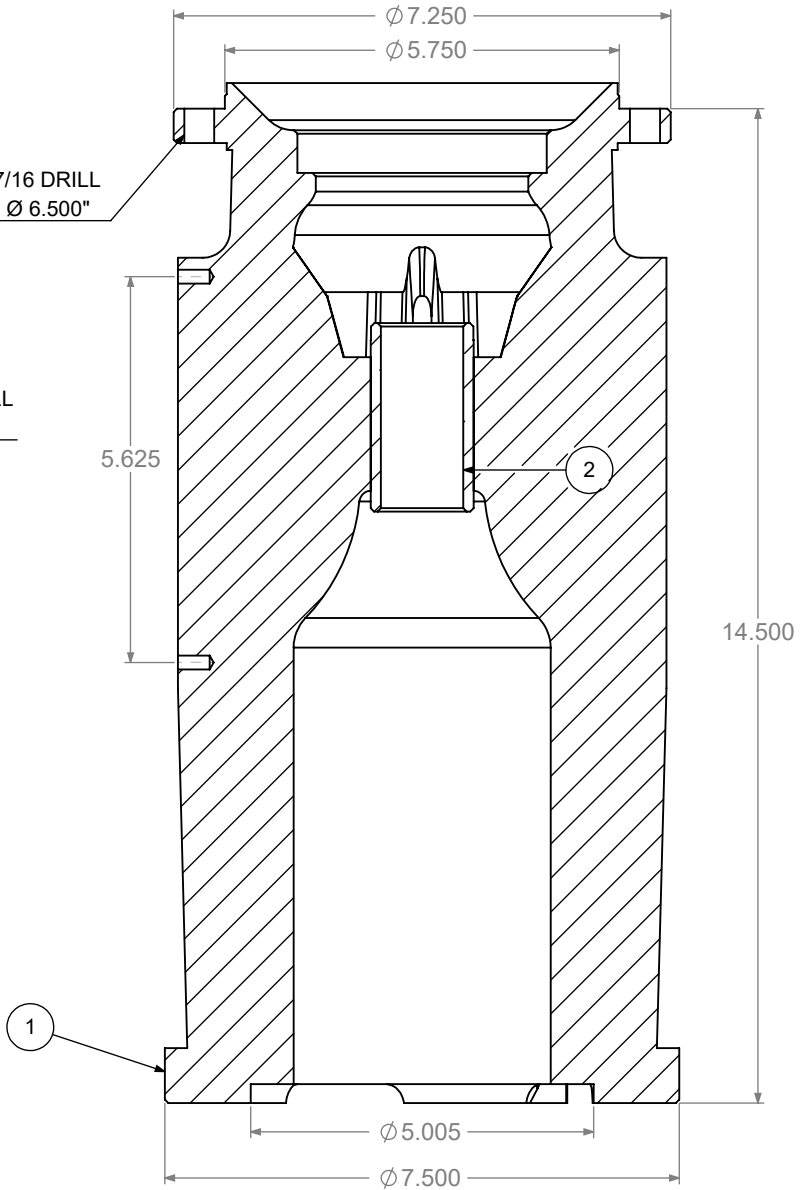
ASSEMBLY NAME	ASSEMBLY PART No.
Suction case w/brz bearing R7YC closed nema 8 CI	R744360



FOR 1.188" SHAFT

4x - 11/16 DRILL  
ON Ø 6.000"

8x - 7/16 DRILL  
ON Ø 6.500"



BILL OF MATERIALS

ITEM No.	NAME	QTY	PART No.	MATERIAL
1	SUCTION CASE R7YC NEMA 8	1	R744301	CLASS 40 CAST IRON
2	BOWL BEARING 1.188 x 1.500 x 2.750	1	CT118811113	C-844 BRONZE



**BOMBAS KLASSEN S.A DE C.V**  
THIS DRAWING IS THE EXCLUSIVE PROPERTY OF  
**BOMBAS KLASSEN S.A DE C.V**

NO USE WHATSOEVER OF THE INFORMATION  
CONTAINED HEREON MAY BE USED WITHOUT WRITTEN PERMISSION

DEPARTMENT: *GENERAL*

UNLESS OTHERWISE SPECIFIED  
DIMENSIONS ARE IN INCHES

Rev: *0.0.0* SHEET 1 OF 1