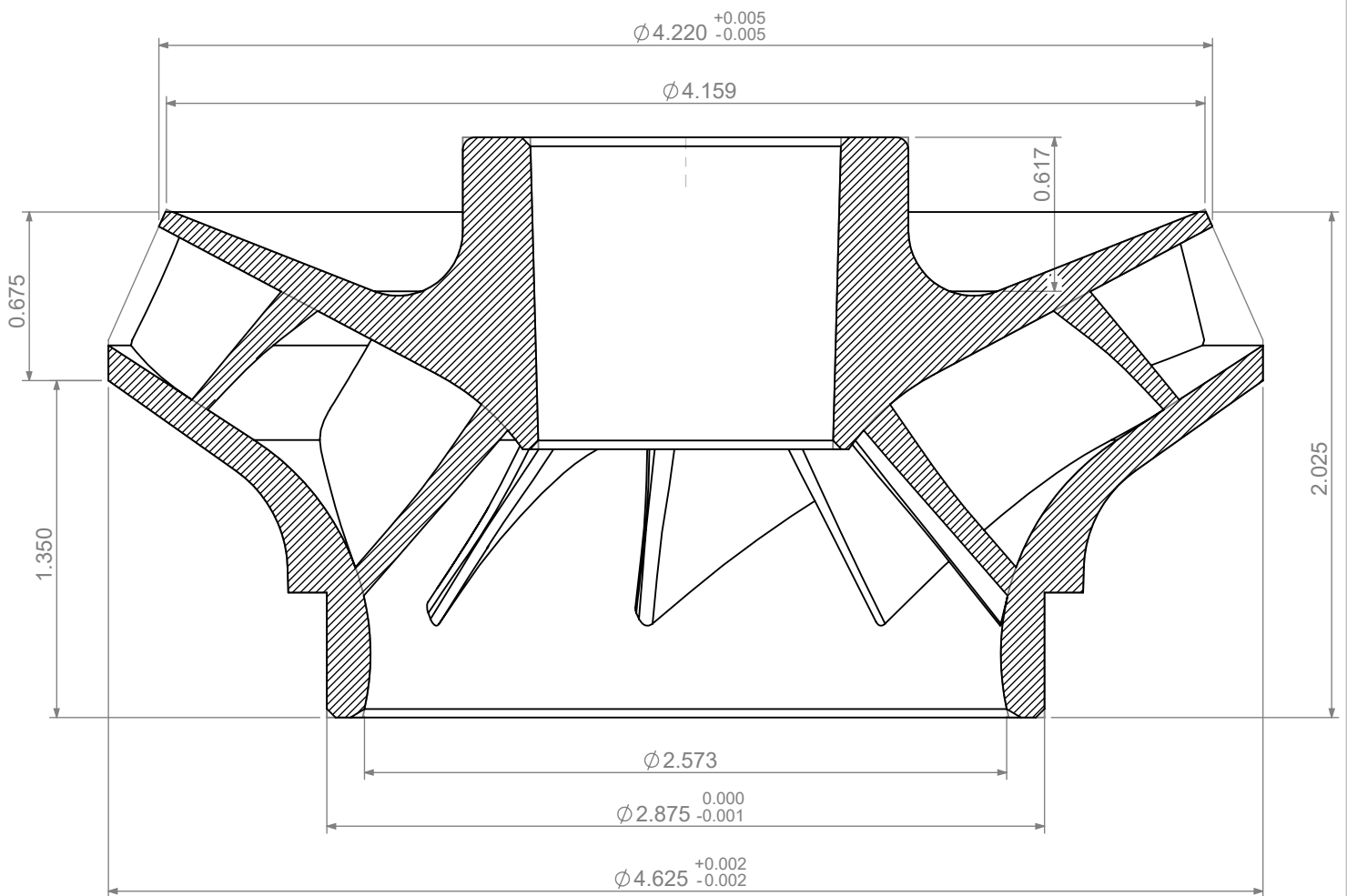


FOR 1.000" SHAFT

NAME	PART No.	MATERIAL
Closed Impeller R6LC	R611503	CDA836 Pb RED BRASS
Closed Impeller R6MC	R611703	CDA836 Pb RED BRASS
Closed Impeller R6HC	R611803	CDA836 Pb RED BRASS



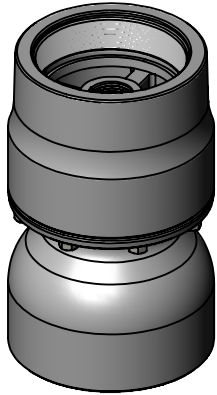
**BOMBAS KLASSEN S.A DE C.V**  
 THIS DRAWING IS THE EXCLUSIVE PROPERTY OF  
**BOMBAS KLASSEN S.A DE C.V**

NO USE WHATSOEVER OF THE INFORMATION  
 CONTAINED HEREON MAY BE USED WITHOUT WRITTEN PERMISSION

DEPARTMENT: *GENERAL*

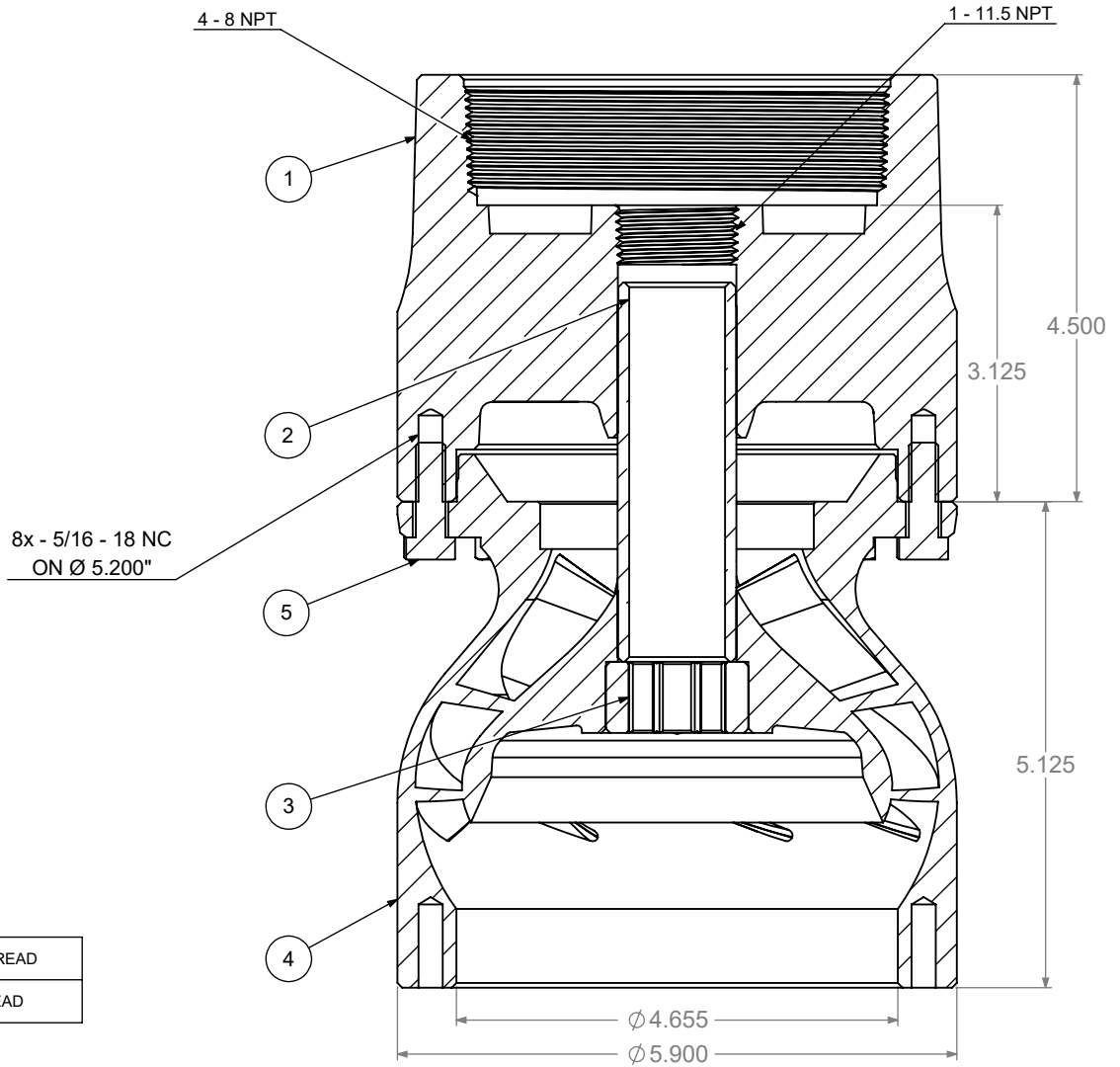
UNLESS OTHERWISE SPECIFIED  
 DIMENSIONS ARE IN INCHES

Rev: *0.0.0* SHEET 1 OF 1



FOR 1.000" SHAFT

ASSEMBLY NAME	ASSEMBLY PART No.
Sub Column adapter w bowl/brz brg R6 4-TT	R655660



ST = STRAIGHT THREAD
TT = TAPER THREAD

**BILL OF MATERIALS**

ITEM NO.	PART NAME	QTY	PART No.	MATERIAL
1	WL COLUMN ADAPTER R6YC 4ST	1	R655501	CLASS 40 CAST IRON
2	SUCTION BOWL BEARING 1.000 X 1.250 X2.750	1	CT100012113	C-844 BRONZE
3	OCT RUBBER BEARING 1.000 x 1.500 x 0.750	1	CTE100040741	B-72-2 NEOPRENE DURO 70A
4	CLOSED BOWL R6YC COMBINED	1	R631401	CLASS 40 CAST IRON
5	HEX BOLT 0.312 X 1.000	8	GRAL31221015	304 STAINLESS STEEL



**BOMBAS KLASSEN S.A DE C.V**  
THIS DRAWING IS THE EXCLUSIVE PROPERTY OF  
**BOMBAS KLASSEN S.A DE C.V**

NO USE WHATSOEVER OF THE INFORMATION  
CONTAINED HEREON MAY BE USED WITHOUT WRITTEN PERMISSION

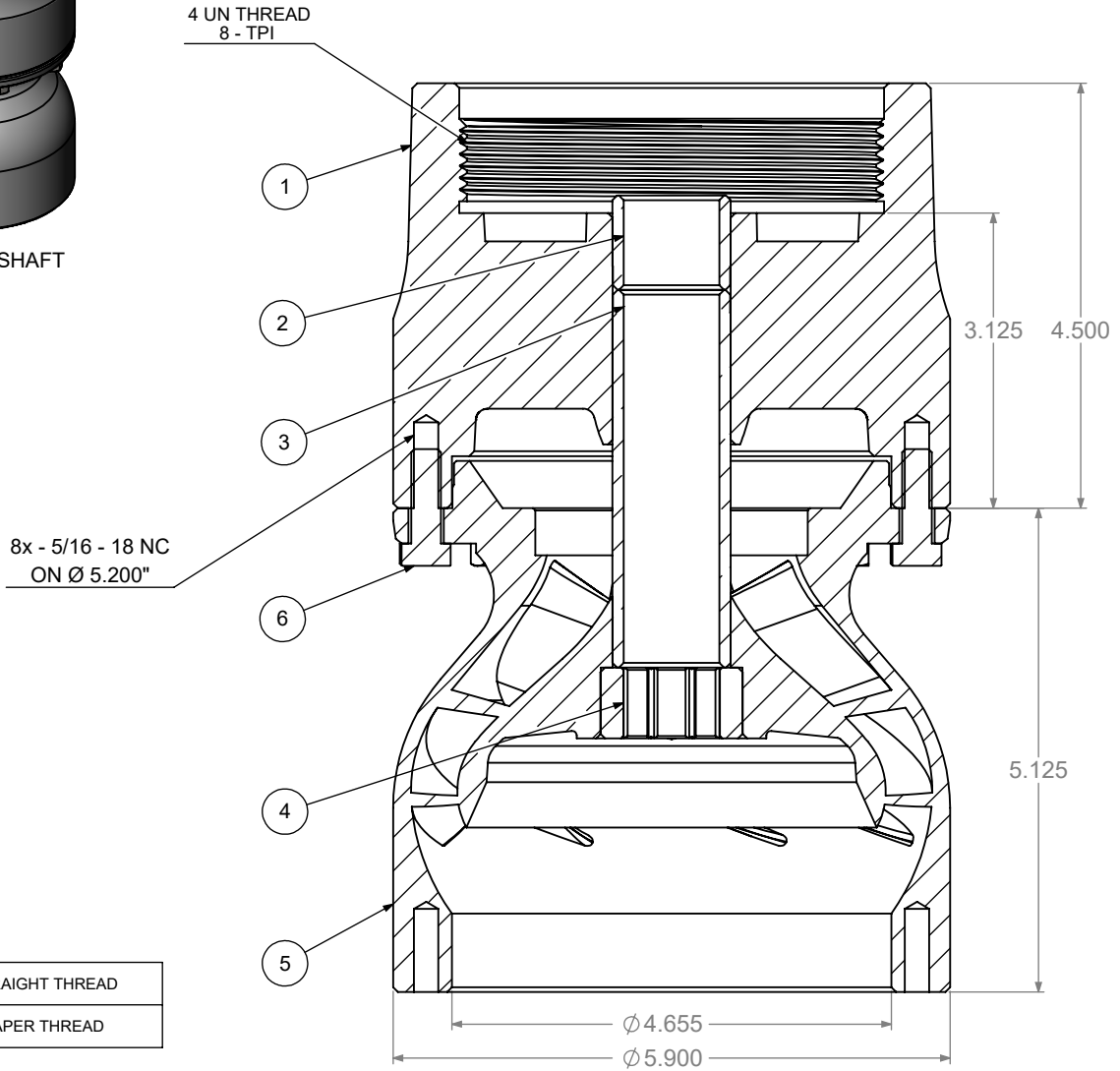
DEPARTMENT: <i>GENERAL</i>
Rev: <i>0.0.0</i> SHEET 1 OF 1

UNLESS OTHERWISE SPECIFIED  
DIMENSIONS ARE IN INCHES



FOR 1.000" SHAFT

ASSEMBLY NAME	ASSEMBLY PART No.
WI Column adapter w bowl/brz brg R6 4-ST	R655560



ST = STRAIGHT THREAD
TT = TAPER THREAD

**BILL OF MATERIALS**

ITEM NO.	PART NAME	QTY	PART No.	MATERIAL
1	WL COLUMN ADAPTER R6YC 4ST	1	R655501	CLASS 40 CAST IRON
2	INTER BRONZE BEARING 1.000 X 1.250 X 1.000	1	CTE100040541	C-844 BRONZE
3	SUCTION BOWL BEARING 1.000 X 1.250 X2.750	1	CT100012113	C-844 BRONZE
4	OCT RUBBER BEARING 1.000 x 1.500 x 0.750	1	CTE100040741	B-72-2 NEOPRENE DURO 70A
5	CLOSED BOWL R6YC COMBINED	1	R631401	CLASS 40 CAST IRON
6	HEX BOLT 0.312 X 1.000	8	GRAL31221015	304 STAINLESS STEEL



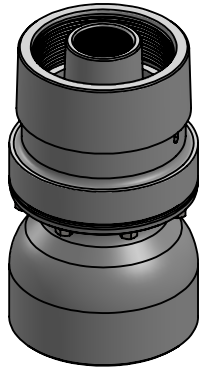
**BOMBAS KLASSEN S.A DE C.V**  
THIS DRAWING IS THE EXCLUSIVE PROPERTY OF  
**BOMBAS KLASSEN S.A DE C.V**

NO USE WHATSOEVER OF THE INFORMATION  
CONTAINED HEREON MAY BE USED WITHOUT WRITTEN PERMISSION

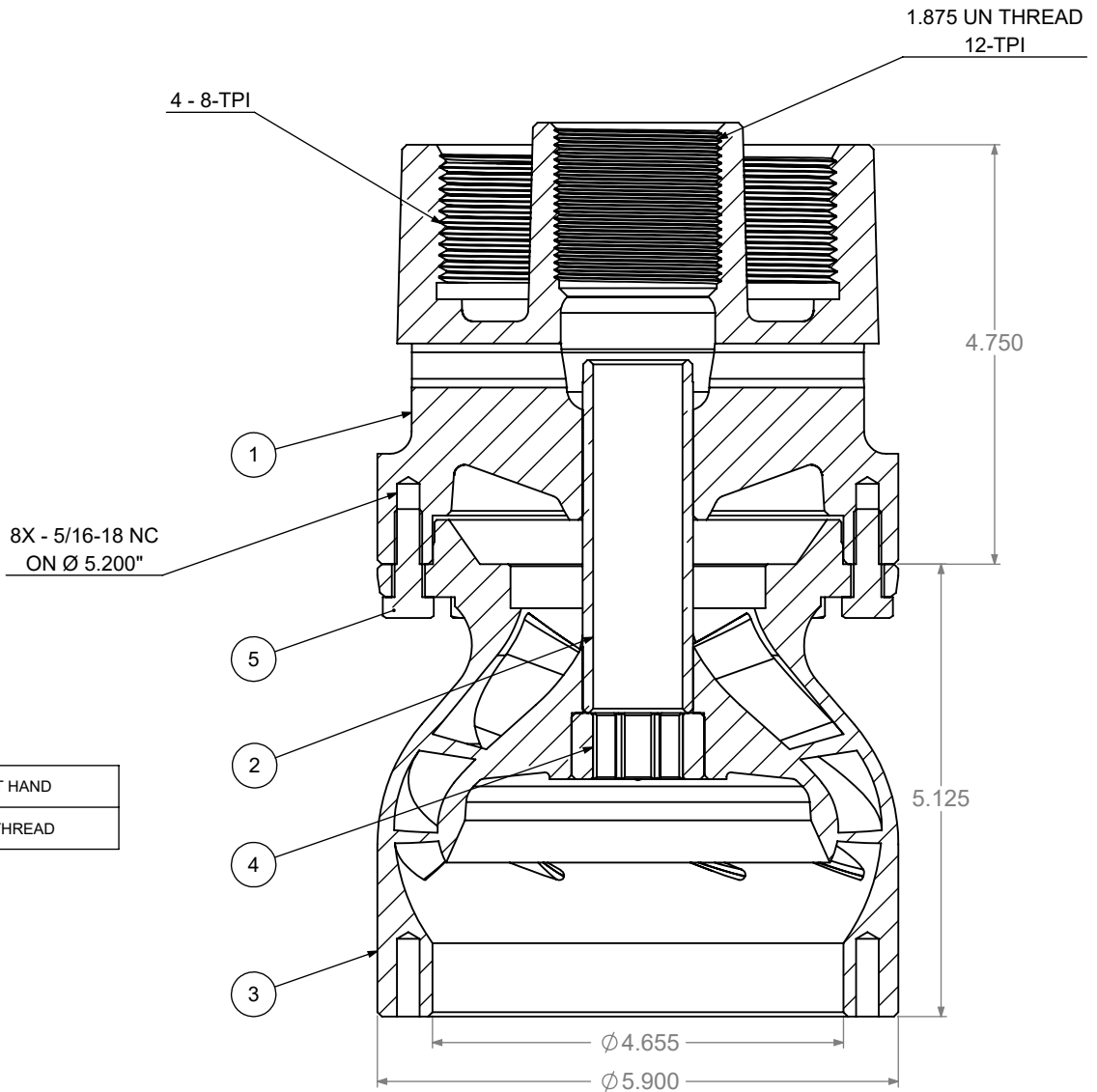
DEPARTMENT: <i>GENERAL</i>
Rev: <i>0.0.0</i> SHEET 1 OF 1

UNLESS OTHERWISE SPECIFIED  
DIMENSIONS ARE IN INCHES

ASSEMBLY NAME	ASSEMBLY PART No.
Discharge w/ enc. bowl and dual brgs R6 1.5-LH	R6620560
Discharge w/ enc. bowl and dual brgs R6 1.5-RH	R6621560



FOR 1.000" SHAFT



RH = RIGHT HAND
LH = LEFT THREAD

BILL OF MATERIALS

ITEM NO.	PART NAME	QTY	PART No.	MATERIAL
1	DISCHARGE R6YC 4-TT 1.5-LH	1	R625401	CLASS 40 CAST IRON
2	DISCHARGE BEARING 1.000 x 1.250 x 4.000	1	CT100010213	C-844 BRONZE
3	CLOSED BOWL R6YC COMBINED	1	R631401	CLASS 40 CAST IRON
4	OCT RUBBER BEARING 1.000 x 1.500 x 0.750	1	CTE100040641	B-72-2 NEOPRENE DURO 70A
5	HEX BOLT 0.312 X 1.000	8	GRAL31221015	304 STAINLESS STEEL

OPTIONAL

ITEM NO.	PART NAME	PART No.	MATERIAL
1	DISCHARGE R6 4-TT 1.5-RH	R625301	CLASS 40 CAST IRON



**BOMBAS KLASSEN S.A DE C.V.**  
THIS DRAWING IS THE EXCLUSIVE PROPERTY OF  
**BOMBAS KLASSEN S.A DE C.V.**

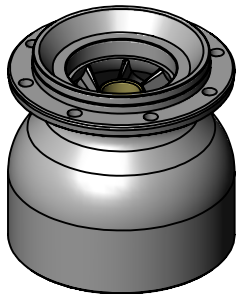
NO USE WHATSOEVER OF THE INFORMATION  
CONTAINED HEREON MAY BE USED WITHOUT WRITTEN PERMISSION

DEPARTMENT: *GENERAL*

UNLESS OTHERWISE SPECIFIED  
DIMENSIONS ARE IN INCHES

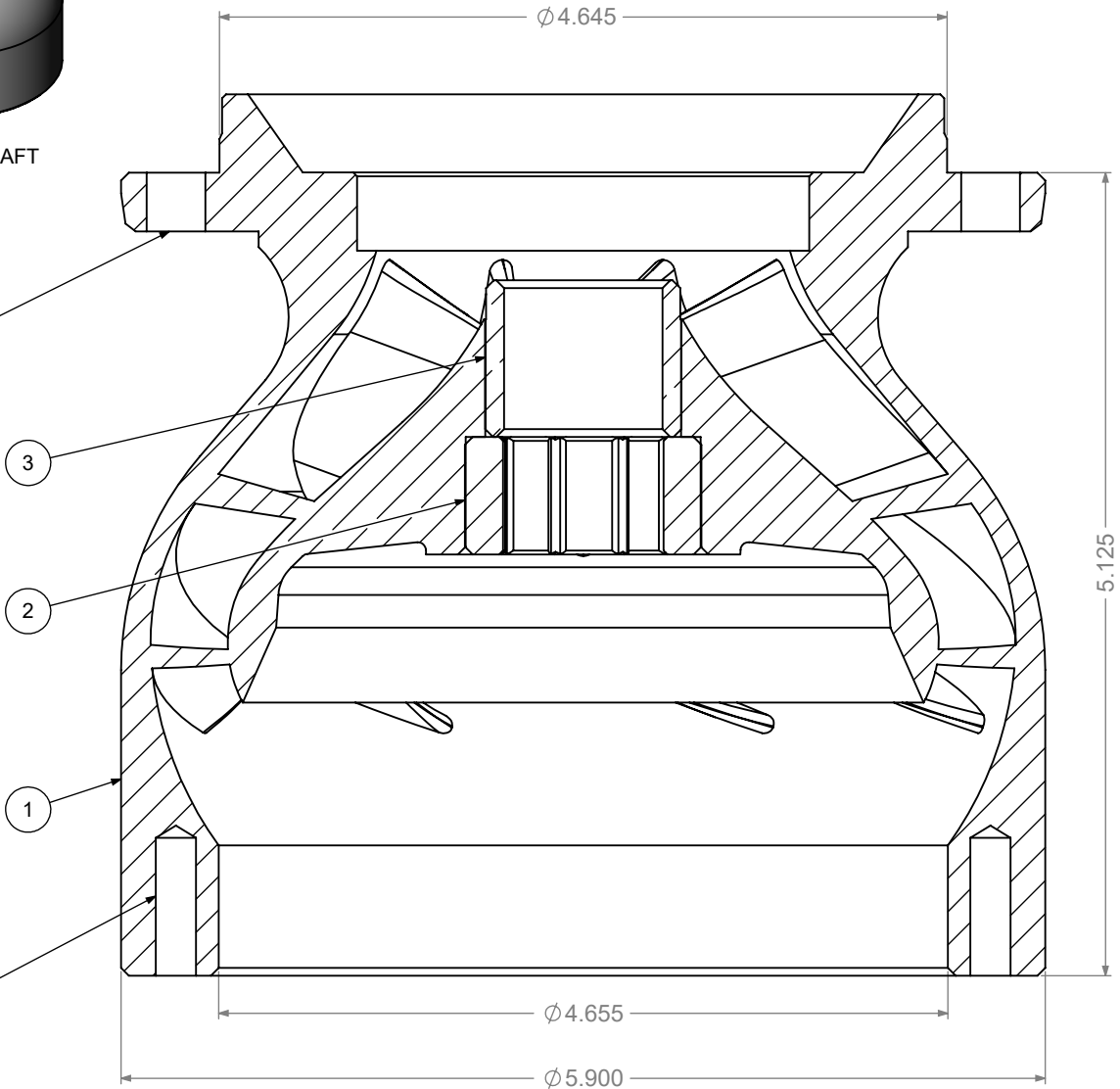
Rev: *0.0.0* SHEET 1 OF 1

ASSEMBLY NAME	ASSEMBLY PART No.
Closed Bowl w/ dual brgs R6YC CI	R631460



FOR 1.000" SHAFT

8x - 3/8 DRILL  
ON Ø 5.200"



BILL OF MATERIALS

ITEM NO.	PART NAME	QTY	PART No.	MATERIAL
1	CLOSED BOWL R6YC COMBINED	1	R631401	CLASS 40 CAST IRON
2	OCT RUBBER BEARING 1.000 x 1.500 x 0.750	1	CT100011013	C-844 BRONZE
3	INTER BRONZE BEARING 1.000 X 1.250 X 1.000	1	CTE100040741	B-72-2 NEOPRENE DURO 70A



**BOMBAS KLASSEN S.A DE C.V**  
THIS DRAWING IS THE EXCLUSIVE PROPERTY OF  
**BOMBAS KLASSEN S.A DE C.V**

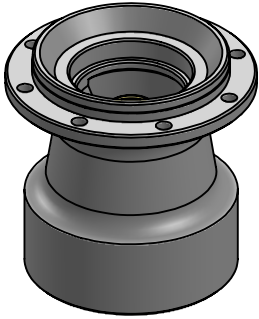
NO USE WHATSOEVER OF THE INFORMATION  
CONTAINED HEREON MAY BE USED WITHOUT WRITTEN PERMISSION

DEPARTMENT: *GENERAL*

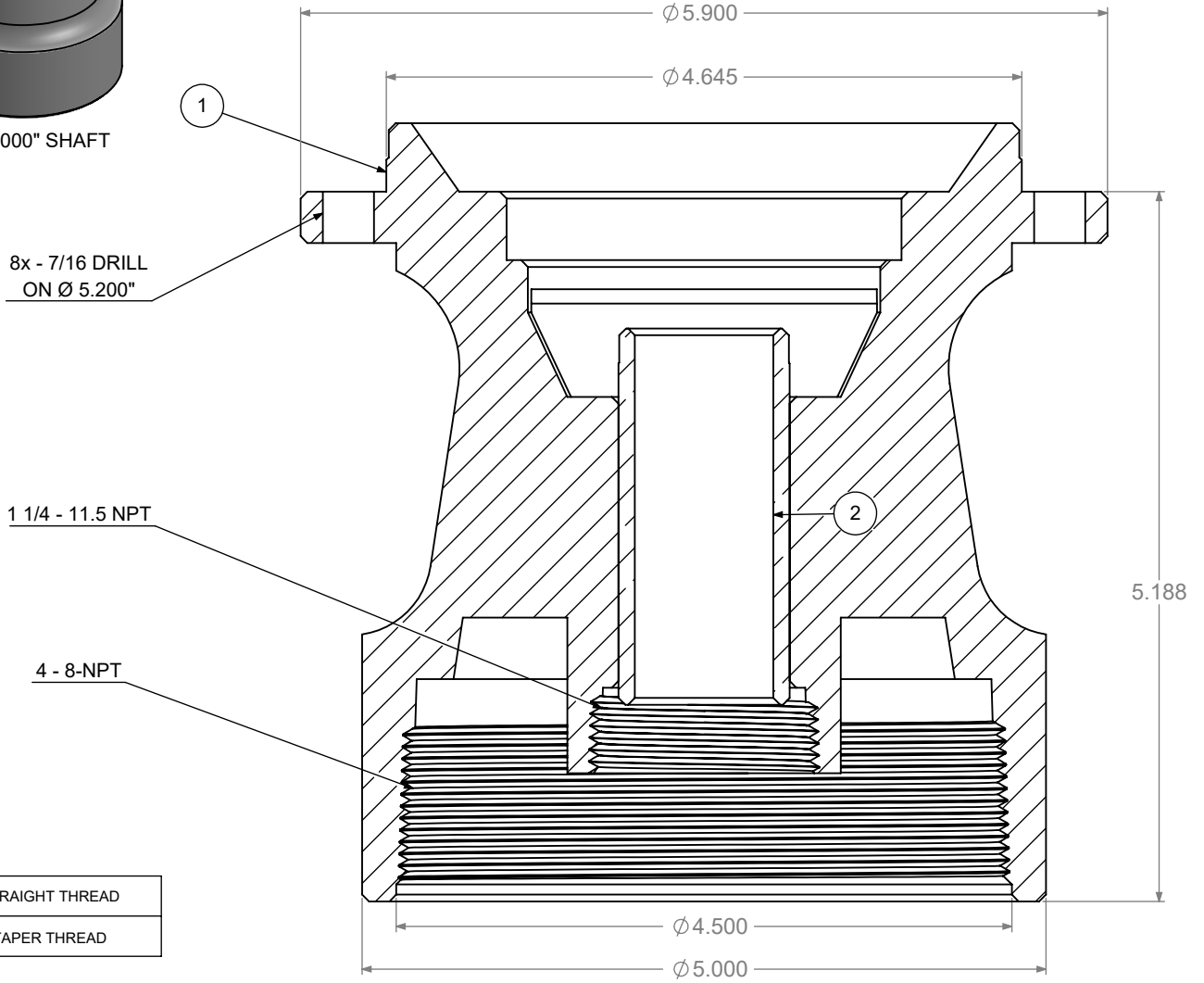
UNLESS OTHERWISE SPECIFIED  
DIMENSIONS ARE IN INCHES

Rev: *0.0.0* SHEET 1 OF 1

ASSEMBLY NAME	ASSEMBLY PART No.
Suction case w/brz bearing R6YC closed 4-ST	R641460
Suction case w/brz bearing R6YC closed 4-TT	R641360



FOR 1.000" SHAFT



ST = STRAIGHT THREAD
TT = TAPER THREAD

**BILL OF MATERIALS**

ITEM No.	PART NAME	QTY	PART No.	MATERIAL
1	SUCTION CASE R6YC 4-TT	1	R641401	CLASS 40 CAST IRON
2	SUCTION BEARING 1.000 x 1.250 x 2.750	1	CT100012113	C-844 BRONZE

**OPTIONAL**

ITEM NO.	PART NAME	PART No.	MATERIAL
1	SUCTION CASE R6YC 4-ST	R641301	CLASS 40 CAST IRON



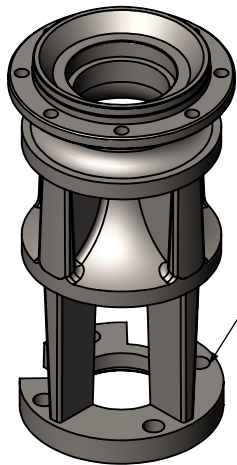
**BOMBAS KLASSEN S.A DE C.V**  
 THIS DRAWING IS THE EXCLUSIVE PROPERTY OF  
**BOMBAS KLASSEN S.A DE C.V**

NO USE WHATSOEVER OF THE INFORMATION  
 CONTAINED HEREON MAY BE USED WITHOUT WRITTEN PERMISSION

DEPARTMENT: <i>GENERAL</i>
Rev: <i>0.0.0</i> SHEET 1 OF 1

UNLESS OTHERWISE SPECIFIED  
 DIMENSIONS ARE IN INCHES

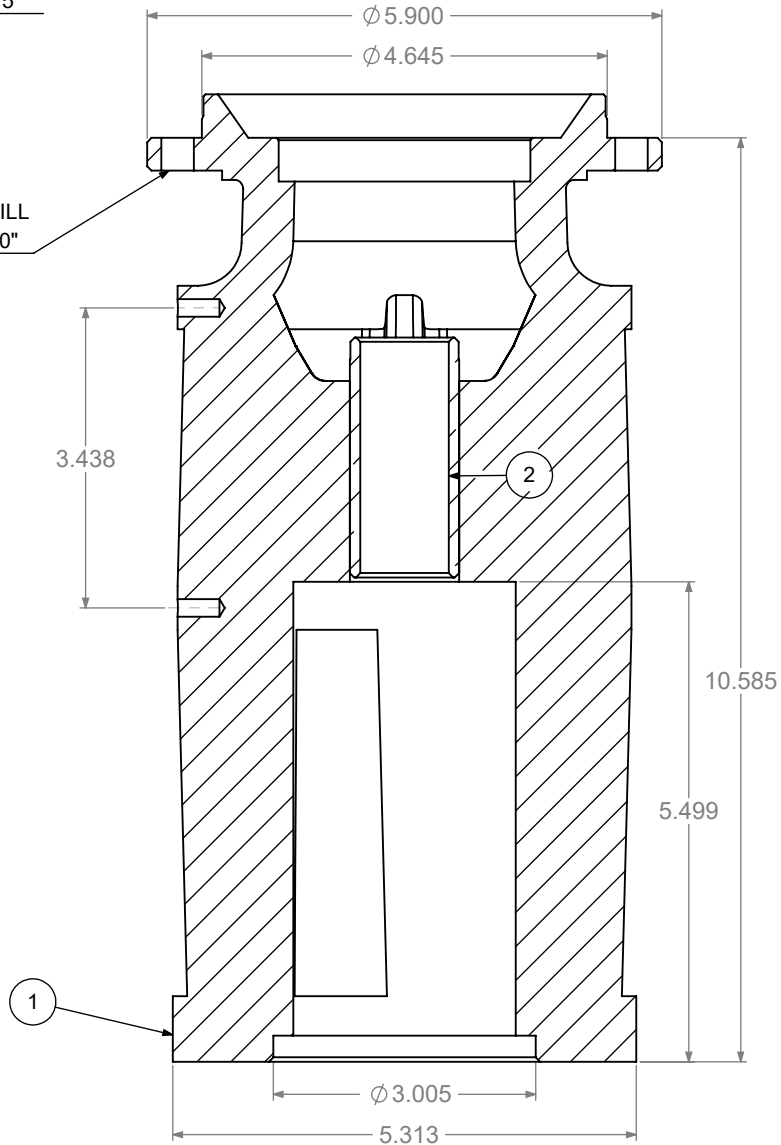
ASSEMBLY NAME	ASSEMBLY PART No.
Suction case w/brz bearing R6YC closed nema 6 CI	R644260



FOR 1.000" SHAFT

4x - 9/16 DRILL  
on Ø 4.375"

8x - 3/8 DRILL  
ON Ø 5.200"



BILL OF MATERIALS

ITEM NO.	PART NAME	QTY	PART No.	MATERIAL
1	SUCTION BOWL R6YC CLOSED NEMA 6	1	R644201	CLASS 40 CAST IRON
2	SUCTION BOWL BEARING 1.000 x 1.250 x 2.750	1	CT100012113	C-844 BRONZE



**BOMBAS KLASSEN S.A DE C.V**  
THIS DRAWING IS THE EXCLUSIVE PROPERTY OF  
**BOMBAS KLASSEN S.A DE C.V**

NO USE WHATSOEVER OF THE INFORMATION  
CONTAINED HEREON MAY BE USED WITHOUT WRITTEN PERMISSION

DEPARTMENT: *GENERAL*

UNLESS OTHERWISE SPECIFIED  
DIMENSIONS ARE IN INCHES

Rev: *0.0.0* SHEET 1 OF 1