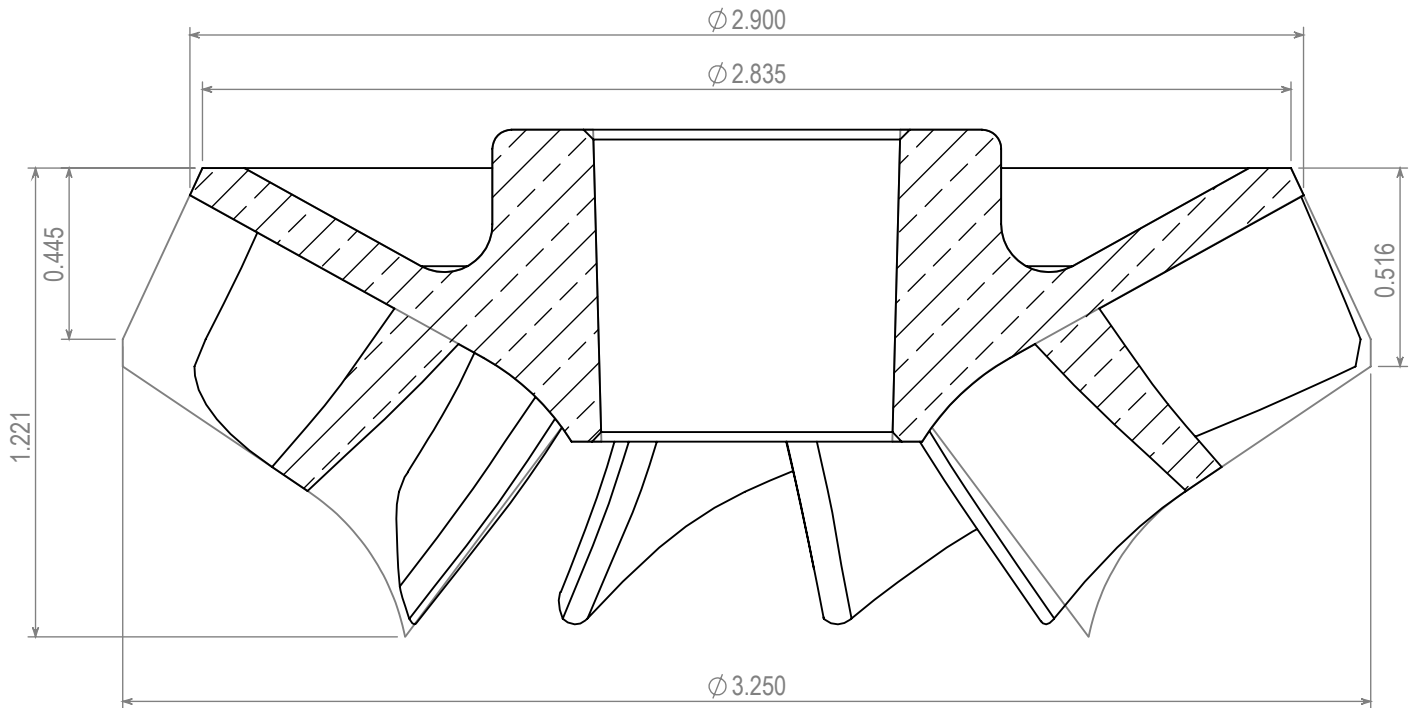


FOR 0.625" SHAFT

NAME	PART No.	MATERIAL
Closed Impeller R4LO.300	R4136C03	CDA836 Pb RED BRASS
Closed Impeller R4LO.350	R4135B03	CDA836 Pb RED BRASS
Closed Impeller R4MO	R4107A03	CDA836 Pb RED BRASS
Closed Impeller R4HO	R4108A03	CDA836 Pb RED BRASS



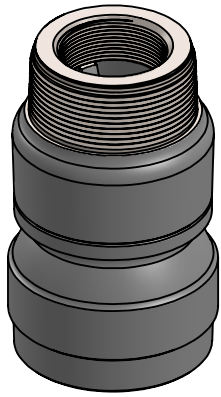
**BOMBAS KLASSEN S.A DE C.V**  
 THIS DRAWING IS THE EXCLUSIVE PROPERTY OF  
**BOMBAS KLASSEN S.A DE C.V**

NO USE WHATSOEVER OF THE INFORMATION  
 CONTAINED HEREON MAY BE USED WITHOUT WRITTEN PERMISSION

UNLESS OTHERWISE SPECIFIED  
 DIMENSIONS ARE IN INCHES

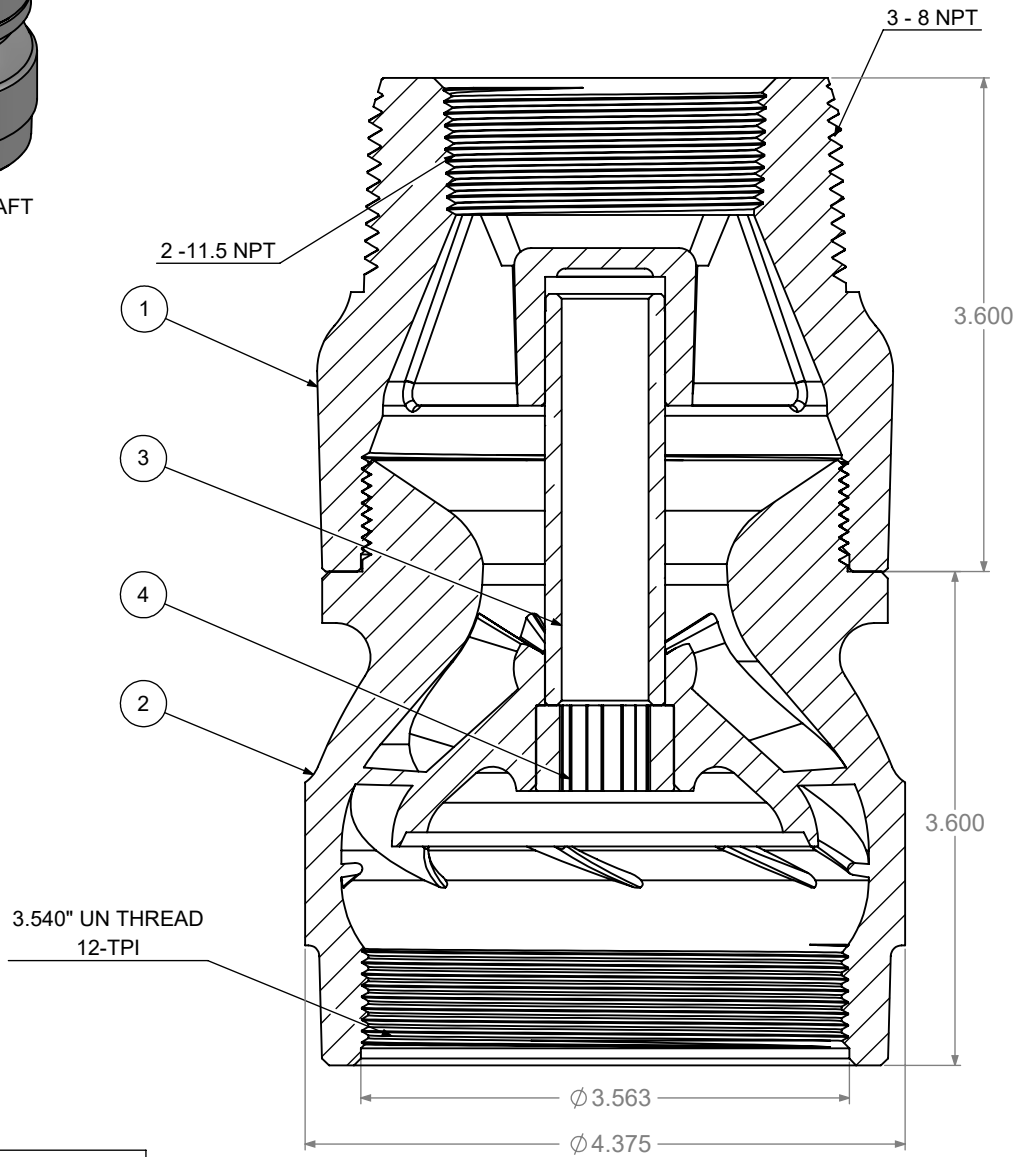
DEPARTMENT: *GENERAL*

Rev: *0.0.0* SHEET 1 OF 1



FOR 0.625" SHAFT

ASSEMBLY NAME	ASSEMBLY PART No.
Sub column adapter w/brz brg R4 2-3TT	R422160



TT= TAPER THREAD

**BILL OF MATERIALS**

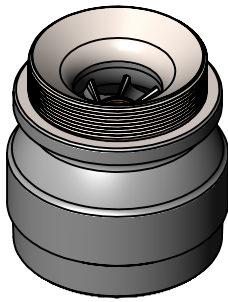
ITEM No.	NAME	QTY	PART No.	MATERIAL
1	SUBMERSIBLE DISCHARGE R4YZ 2&3-TT	1	R422101	CLASS 40 CAST IRON
2	OPEN BOWL R4YO COMBINED	1	R430401	CLASS 4 CAST IRON
3	DISCHARGE BEARING 0.625 x 0.875 x 3.000	1	CT62510113	C-844 BRONZE
4	OCT RUBBER BEARING 0.625 x 1.000 x 0.625	1	CTE62540141	B-72-2 NEOPRENE DURO 70A



**BOMBAS KLASSEN S.A DE C.V**  
THIS DRAWING IS THE EXCLUSIVE PROPERTY OF  
**BOMBAS KLASSEN S.A DE C.V**

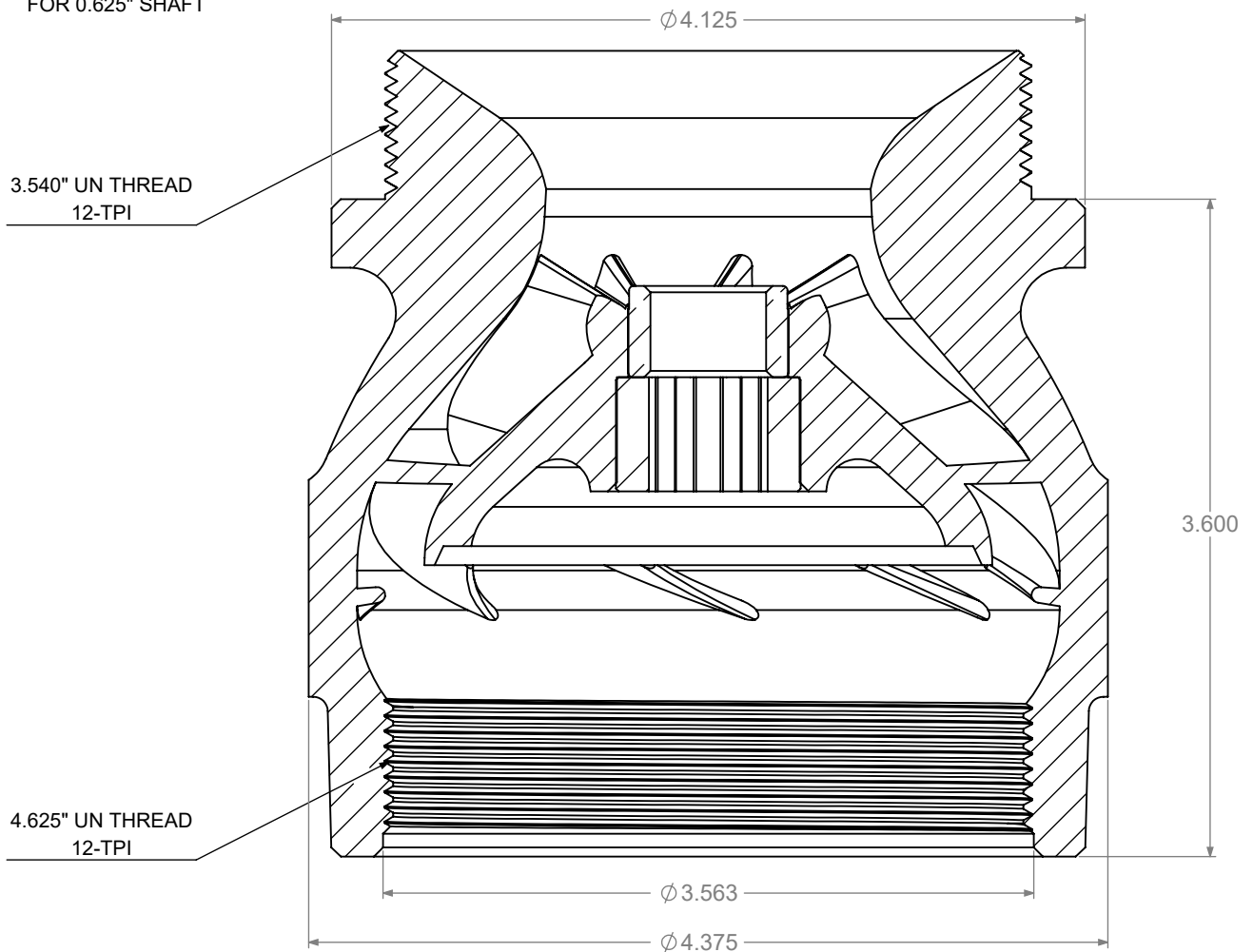
NO USE WHATSOEVER OF THE INFORMATION  
CONTAINED HEREON MAY BE USED WITHOUT WRITTEN PERMISSION

UNLESS OTHERWISE SPECIFIED DIMENSIONS ARE IN INCHES	DEPARTMENT: <i>GENERAL</i>
	Rev: <i>0.0.0</i> SHEET 1 OF 1



FOR 0.625" SHAFT

ASSEMBLY NAME	ASSEMBLY PART No.
Closed Bowl w/ dual brgs R4YO	R430460



BILL OF MATERIALS

ITEM NO.	PART NAME	QTY	PART No.	MATERIAL
1	COMBINED INTER BOWL L6YO	1	L630401	CLASS 40 CAST IRON
2	INTER BRONZE BEARING 0.625 x 0.875 x 0.500	1	CT62511113	C-844 BRONZE
3	OCT RUBBER BEARING 0.625 x 1.000 x 0.625	1	CTE62540141	B-72-2 NEOPRENE DURO 70A



**BOMBAS KLASSEN S.A DE C.V**  
 THIS DRAWING IS THE EXCLUSIVE PROPERTY OF  
**BOMBAS KLASSEN S.A DE C.V**

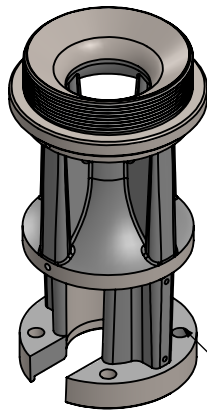
NO USE WHATSOEVER OF THE INFORMATION  
 CONTAINED HEREON MAY BE USED WITHOUT WRITTEN PERMISSION

DEPARTMENT: *GENERAL*

UNLESS OTHERWISE SPECIFIED  
 DIMENSIONS ARE IN INCHES

Rev: *0.0.0* SHEET 1 OF 1

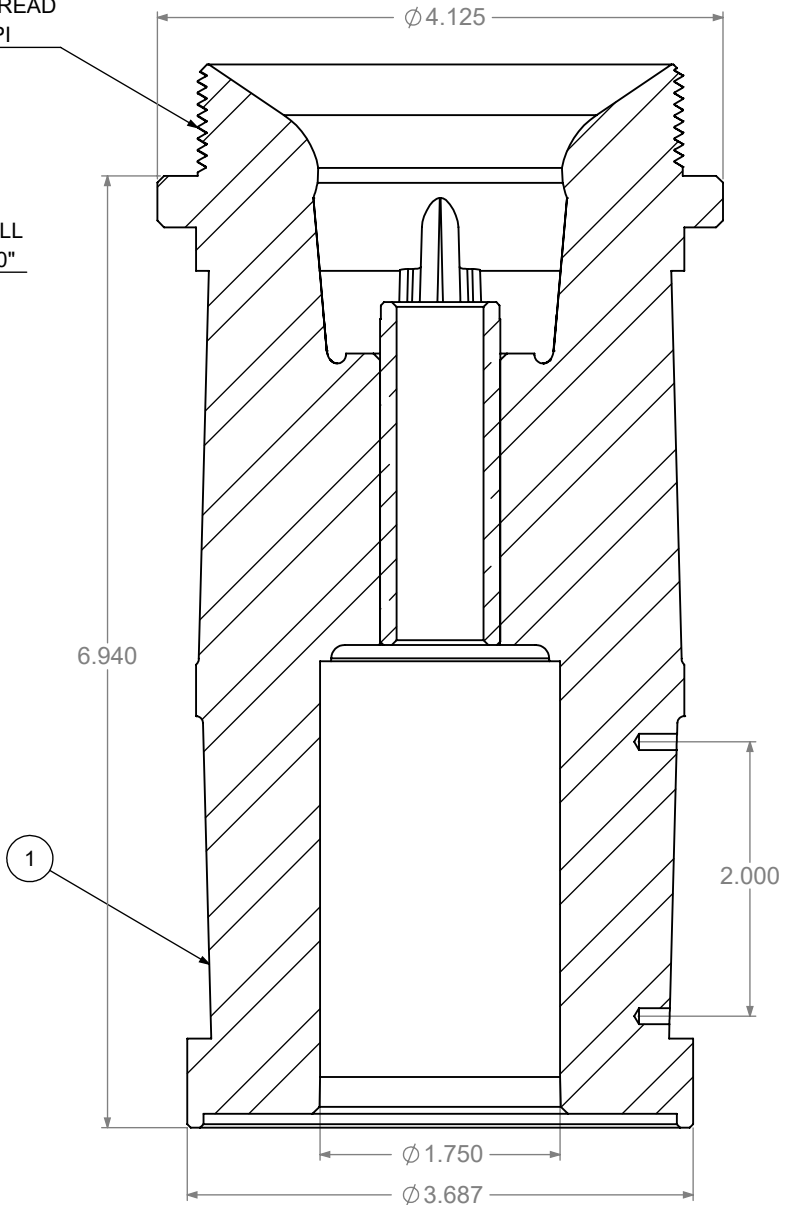
<b>ASSEMBLY NAME</b>	<b>ASSEMBLY PART No.</b>
Suction case w/lbrz bearing R4YO open nema 4 CI	R443160



FOR 0.625" SHAFT

3 - UN THREAD  
12-TPI

4x - 3/8 DRILL  
ON Ø 3.000"



**BILL OF MATERIALS**

ITEM NO.	PART NAME	QTY	PART No.	MATERIAL
1	SUCTION CASE R7 NEMA 4	1	L644601	CLASS 40 CAST IRON
2	SUCTION BEARING 0.625 x 0.875 x 1.500	1	CT62512113	C-844 BRONZE



**BOMBAS KLASSEN S.A DE C.V**  
THIS DRAWING IS THE EXCLUSIVE PROPERTY OF  
**BOMBAS KLASSEN S.A DE C.V**

NO USE WHATSOEVER OF THE INFORMATION  
CONTAINED HEREON MAY BE USED WITHOUT WRITTEN PERMISSION

DEPARTMENT: *GENERAL*

UNLESS OTHERWISE SPECIFIED  
DIMENSIONS ARE IN INCHES

Rev: *0.0.0* SHEET 1 OF 1