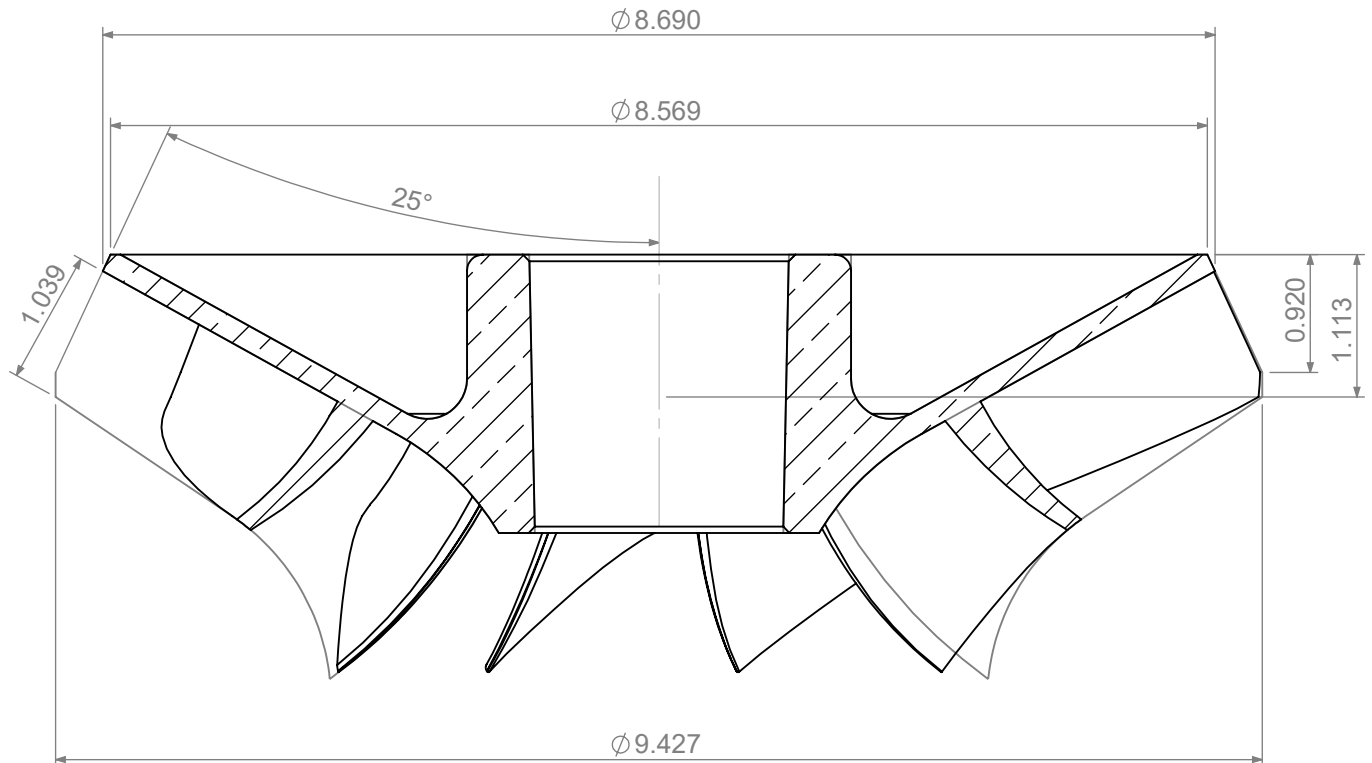


FOR 1.688" SHAFT

NAME	PART No.	MATERIAL
OPEN IMPELLER R12LO	R1210503	CDA836 Pb RED BRASS
OPEN IMPELLER R12MO	R1210703	CDA836 Pb RED BRASS
OPEN IMPELLER R12HO	R1210803	CDA836 Pb RED BRASS



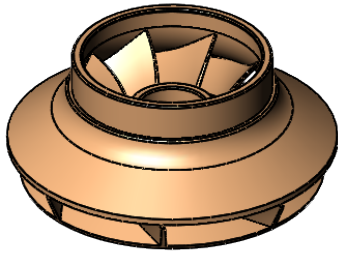
**BOMBAS KLASSEN S.A DE C.V**  
 THIS DRAWING IS THE EXCLUSIVE PROPERTY OF  
**BOMBAS KLASSEN S.A DE C.V**

NO USE WHATSOEVER OF THE INFORMATION  
 CONTAINED HEREON MAY BE USED WITHOUT WRITTEN PERMISSION

DEPARTMENT: *GENERAL*

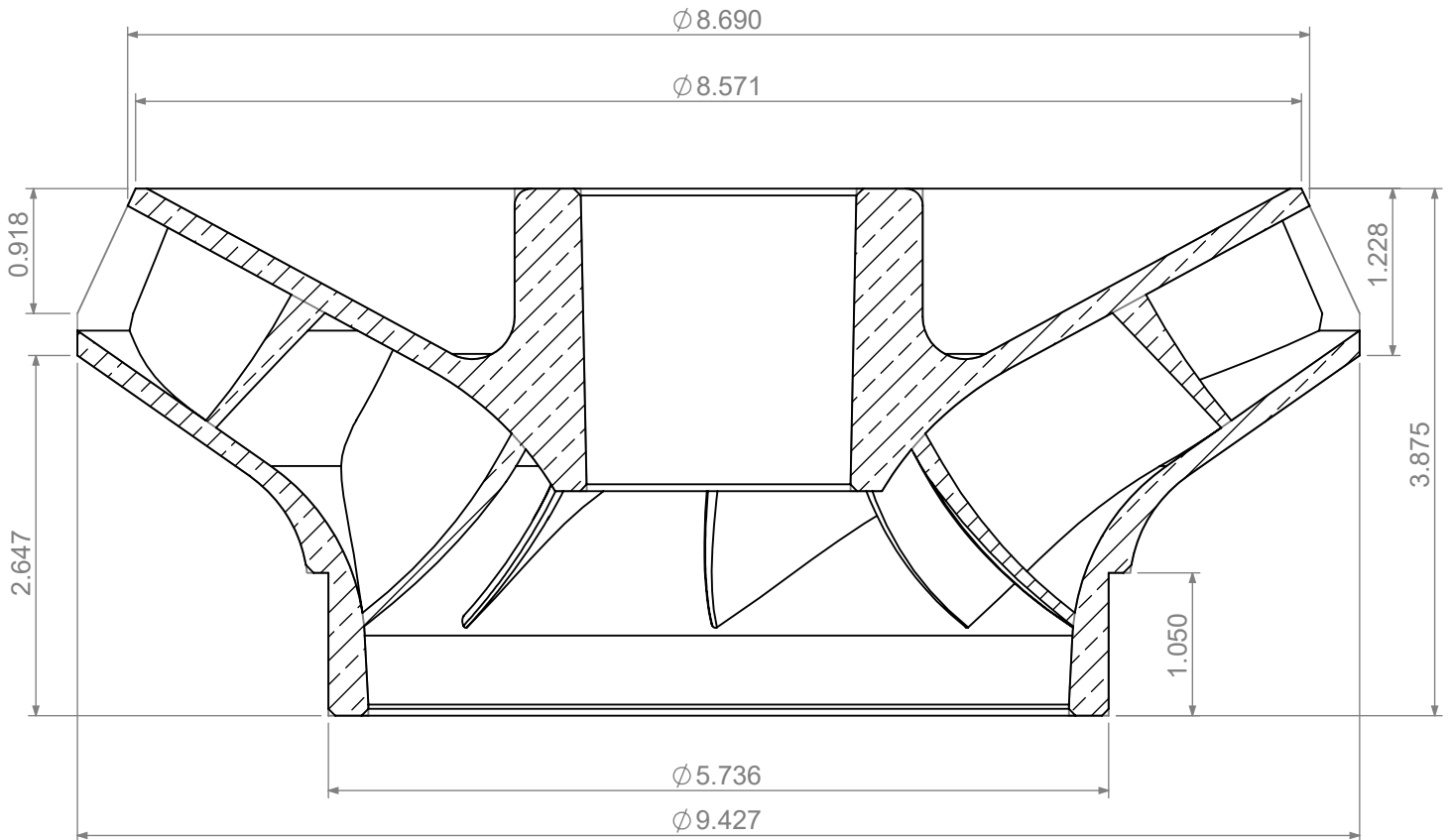
UNLESS OTHERWISE SPECIFIED  
 DIMENSIONS ARE IN INCHES

Rev: *0.0.0* SHEET 1 OF 1



FOR 1.688" SHAFT

NAME	PART No.	MATERIAL
CLOSED IMPELLER R12LC	R1211503	CDA836 Pb RED BRASS
CLOSED IMPELLER R12MC	R1211703	CDA836 Pb RED BRASS
CLOSED IMPELLER R12HC	R1211803	CDA836 Pb RED BRASS



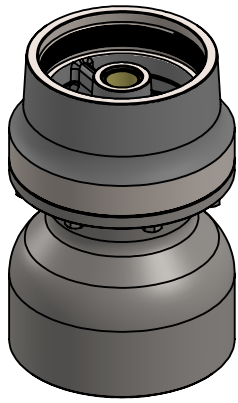
**BOMBAS KLASSEN S.A DE C.V**  
 THIS DRAWING IS THE EXCLUSIVE PROPERTY OF  
**BOMBAS KLASSEN S.A DE C.V**

NO USE WHATSOEVER OF THE INFORMATION  
 CONTAINED HEREON MAY BE USED WITHOUT WRITTEN PERMISSION

DEPARTMENT: *GENERAL*

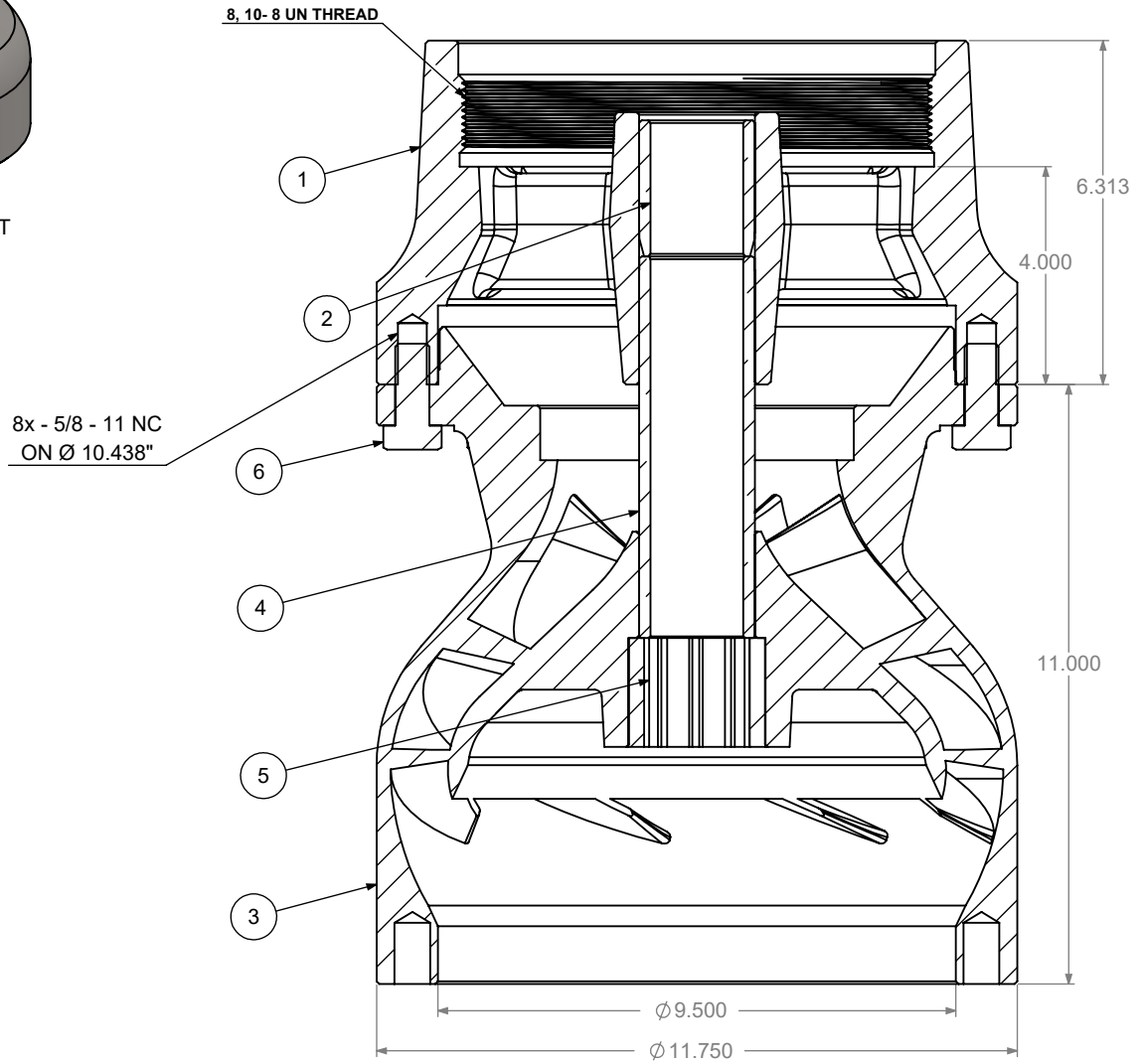
UNLESS OTHERWISE SPECIFIED  
 DIMENSIONS ARE IN INCHES

Rev: *0.0.0* SHEET 1 OF 1



FOR 1.688" SHAFT

ASSEMBLY NAME	ASSEMBLY PART No.
WL Column adapter w bowl/brz R12 8-ST	R1256160
WL Column adapter w bowl/brz R12 10-ST	R1256360



**BILL OF MATERIALS**

ITEM NO.	PART NAME	QTY	PART No.	MATERIAL
1	WL COLUMN ADAPTER R12YC 8-ST	1	R1256101	CLASS 40 CAST IRON
2	BOWL BRONZE BEARING 1.688 x 2.125 x 2.500	1	CT16881513	C-844 BRONZE
3	CLOSED BOWL R12YC COMBINED	1	R1231401	CLASS 40 CAST IRON
4	DISCHARGE BEARING 1.688 x 2.125 x 7.000	1	CT168810113	C-844 BRONZE
5	OCT RUBBER BEARING 1.688 x 2.500 x 2.000	1	CTE168840441	B-72-2 NEOPRENE DURO 70A
6	HEX BOLT 0.625 x 1.500 x 11-NC	8	GRAL62520151	GRADE 5

**OPTIONAL**

ITEM No.	NAME	PART No.	MATERIAL
1	CLOSED BOWL R12YC COMBINED	R1256301	CLASS 40 CAST IRON



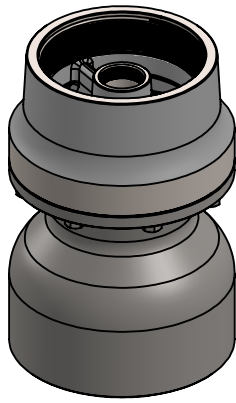
**BOMBAS KLASSEN S.A DE C.V**  
THIS DRAWING IS THE EXCLUSIVE PROPERTY OF  
**BOMBAS KLASSEN S.A DE C.V**

NO USE WHATSOEVER OF THE INFORMATION  
CONTAINED HEREON MAY BE USED WITHOUT WRITTEN PERMISSION

DEPARTMENT: **GENERAL**

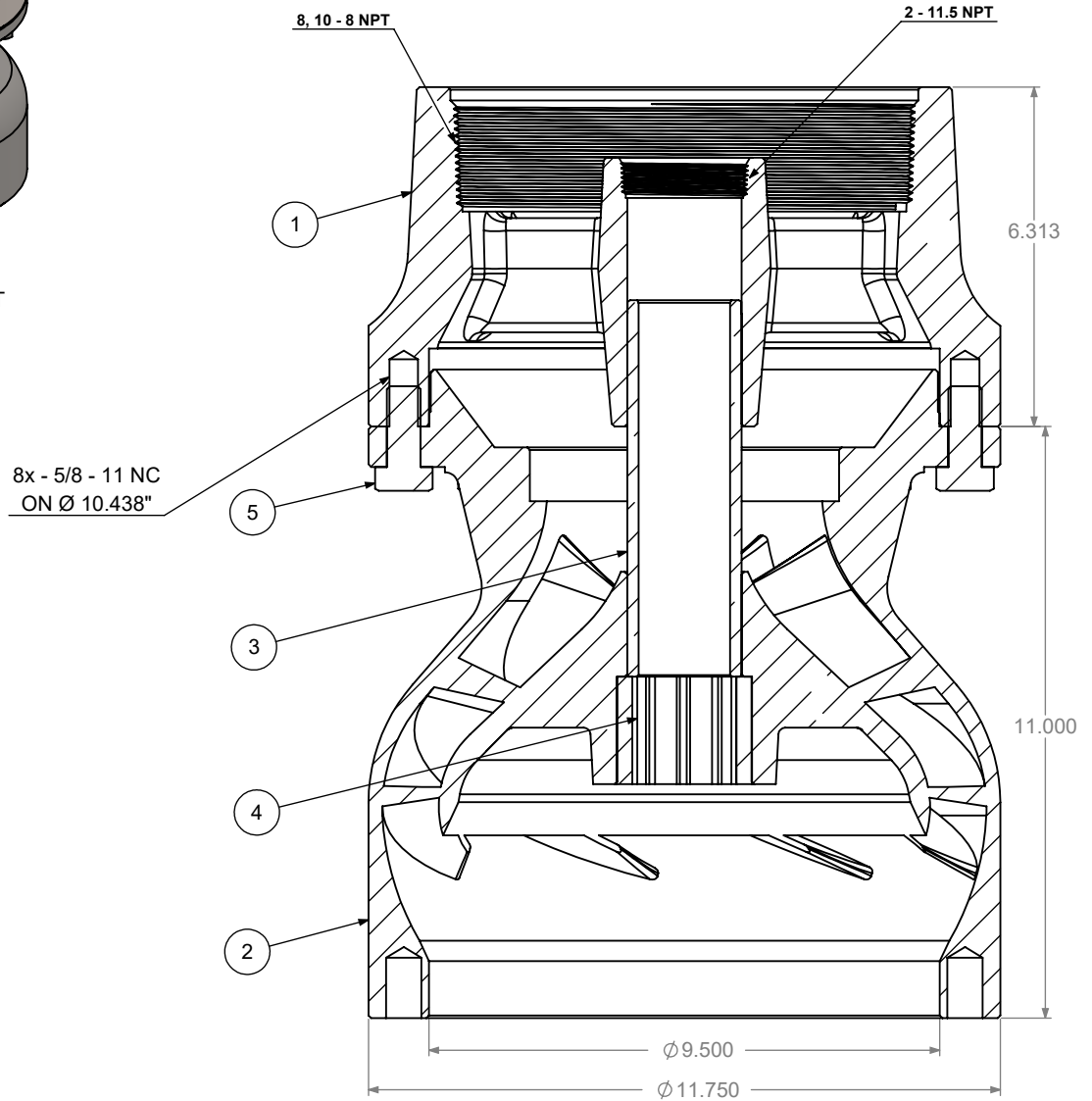
UNLESS OTHERWISE SPECIFIED  
DIMENSIONS ARE IN INCHES

Rev: **0.0.0** SHEET 1 OF 1



FOR 1.688" SHAFT

ASSEMBLY NAME	ASSEMBLY PART No.
Sub Column adapter w bowl/brz R12 8-TT	R1256260
Sub Column adapter w bowl/brz R12 10-TT	R1256460



BILL OF MATERIALS

ITEM NO.	PART NAME	QTY	PART No.	MATERIAL
1	SUB COLUMN ADAPTER R12YC 8-TT	1	R1256201	CLASS 40 CAST IRON
2	CLOSED BOWL R12YC COMBINED	1	R1231401	CLASS 40 CAST IRON
3	DISCHARGE CASE BEARING 1.688	1	CT168810113	C-844 BRONZE
4	OCT RUBBER BEARING 1.688 x 2.500 x 2.000	1	CTE168840441	B-72-2 NEOPRENE DURO 70A
5	HEX BOLT 0.625 x 1.500 x 11-NC	8	GRAL62520151	GRADE 5

OPTIONAL

ITEM No.	PART NAME	PART No.	MATERIAL
1	SUB COLUMN ADAPTER R12YC 10-TT	R1256301	CLASS 40 CAST IRON



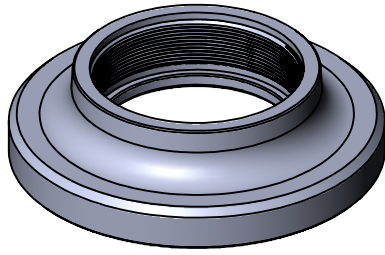
**BOMBAS KLASSEN S.A DE C.V**  
THIS DRAWING IS THE EXCLUSIVE PROPERTY OF  
**BOMBAS KLASSEN S.A DE C.V**

NO USE WHATSOEVER OF THE INFORMATION  
CONTAINED HEREON MAY BE USED WITHOUT WRITTEN PERMISSION

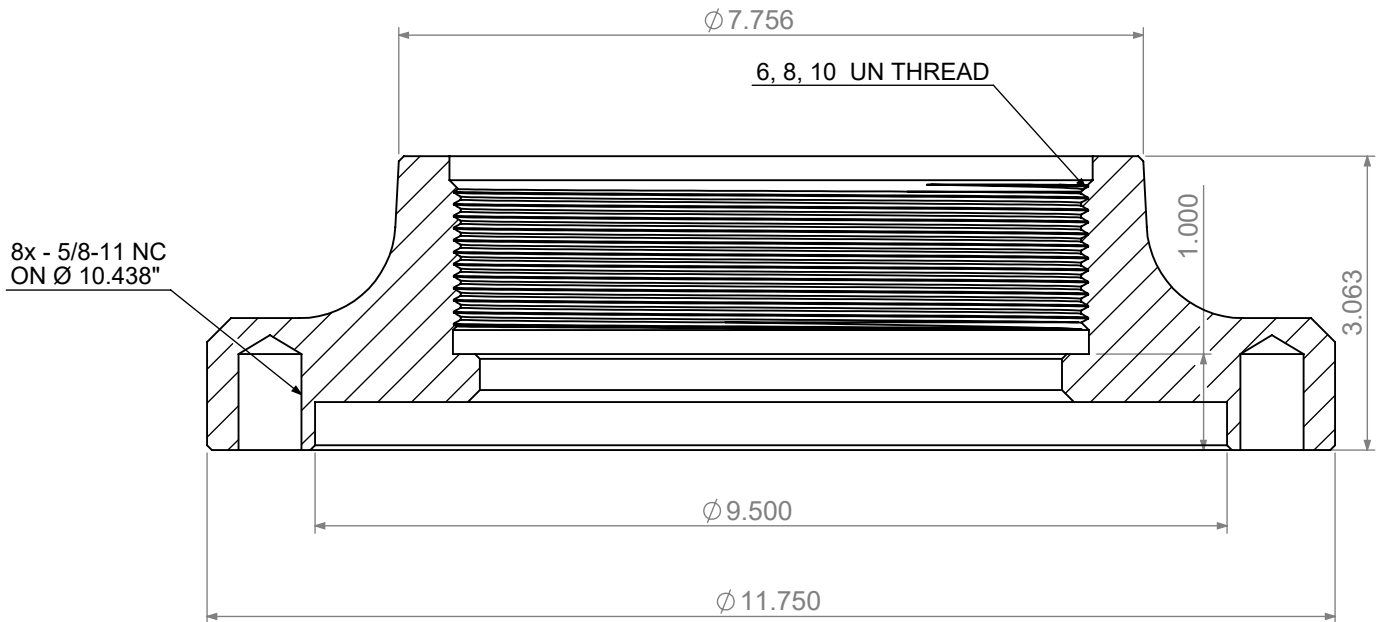
DEPARTMENT: *GENERAL*

UNLESS OTHERWISE SPECIFIED  
DIMENSIONS ARE IN INCHES

Rev: *0.0.0* SHEET 1 OF 1



ASSEMBLY NAME	ASSEMBLY PART No.	MATERIAL
Column adapter R12YC 6-ST	R1250901	CLASS 40 CAST IRON
Column adapter R12YC 8-ST	R1251101	CLASS 40 CAST IRON
Column adapter R12YC 10-ST	R1251301	CLASS 40 CAST IRON
Column adapter R12YC 6-TT	R1251001	CLASS 40 CAST IRON
Column adapter R12YC 8-TT	R1251201	CLASS 40 CAST IRON
Column adapter R12YC 10-TT	R1251401	CLASS 40 CAST IRON



**BOMBAS KLASSEN S.A DE C.V**  
 THIS DRAWING IS THE EXCLUSIVE PROPERTY OF  
**BOMBAS KLASSEN S.A DE C.V**

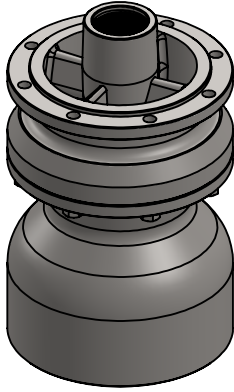
NO USE WHATSOEVER OF THE INFORMATION  
 CONTAINED HEREON MAY BE USED WITHOUT WRITTEN PERMISSION

DEPARTMENT: *GENERAL*

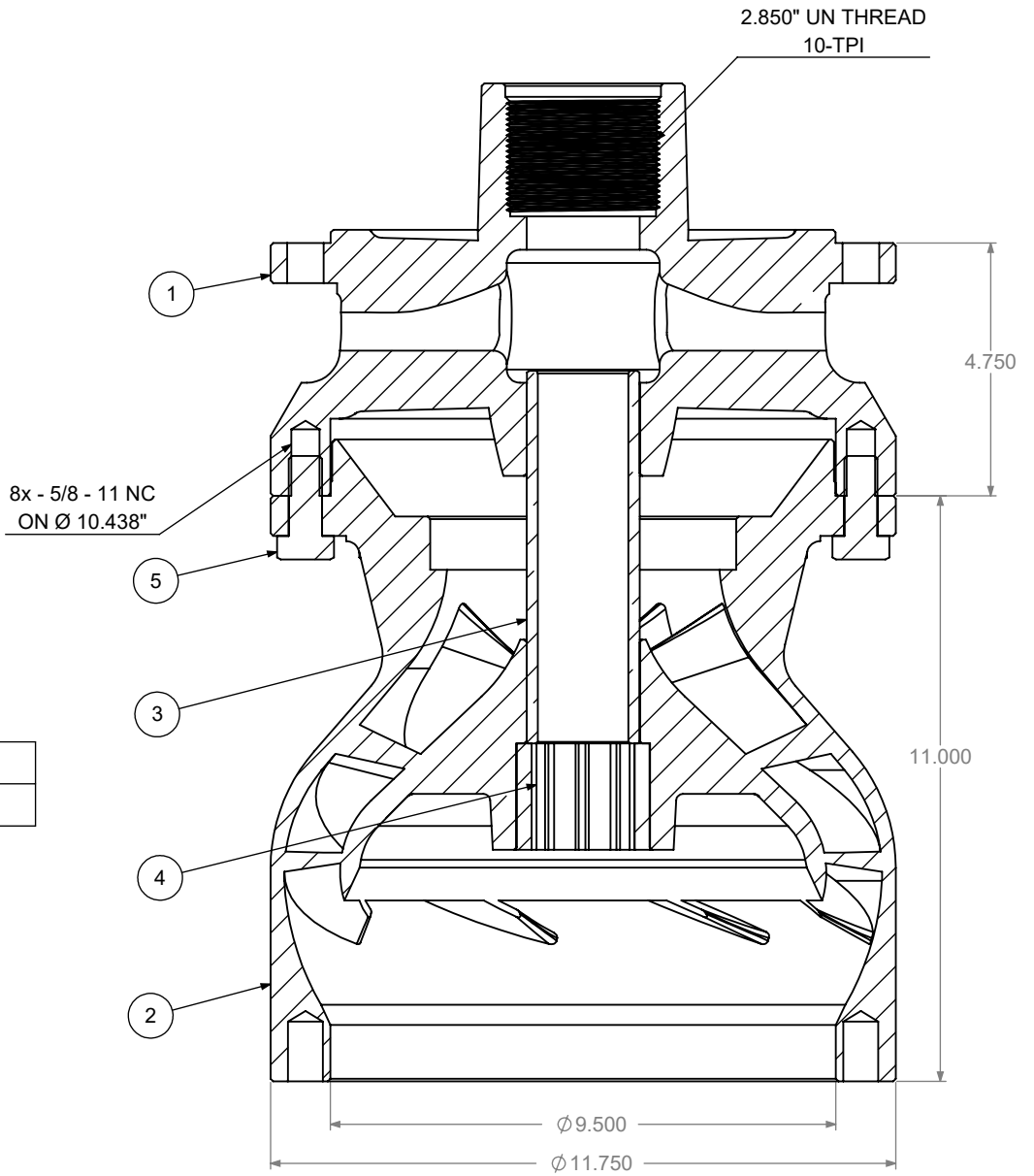
UNLESS OTHERWISE SPECIFIED  
 DIMENSIONS ARE IN INCHES

Rev: *0.0.0* SHEET 1 OF 1

ASSEMBLY NAME	ASSEMBLY PART No.
Discharge w/ enc. bowl and dual brgs R12 2.5-LH CI	R1222060
Discharge w/ enc. bowl and dual brgs R12 2.5-RH CI	R1222160



FOR 1.688" SHAFT



RH = RIGHT HAND
LH = LEFT HAND

BILL OF MATERIALS

ITEM NO.	PART NAME	QTY	PART No.	MATERIAL
1	DISCHARGE CASE R12YC 2.5-LH	1	R1220301	CLASS 40 CAST IRON
2	CLOSED BOWL R12YC COMBINED	1	R1231401	CLASS 40 CAST IRON
3	DISCHARGE BEARING 1.688 x 2.125 x 7.000	1	CT168810113	C-844 BRONZE
4	OCT RUBBER BEARING 1.688 x 2.500 x 2.000	1	CTE168840441	B-72-2 NEOPRENE DURO 70A
5	HEX BOLT 0.625 x 1.500 x 11-NC	8	GRAL62520151	GRADE 5

OPTIONAL

ITEM NO.	PART NAME	PART No.	MATERIAL
1	DISCHARGE CASE R12YC 2.5-RH	R1221301	CLASS 40 CAST IRON



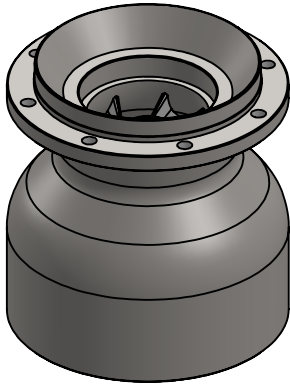
**BOMBAS KLASSEN S.A DE C.V**  
THIS DRAWING IS THE EXCLUSIVE PROPERTY OF  
**BOMBAS KLASSEN S.A DE C.V**

NO USE WHATSOEVER OF THE INFORMATION  
CONTAINED HEREON MAY BE USED WITHOUT WRITTEN PERMISSION

DEPARTMENT: *GENERAL*

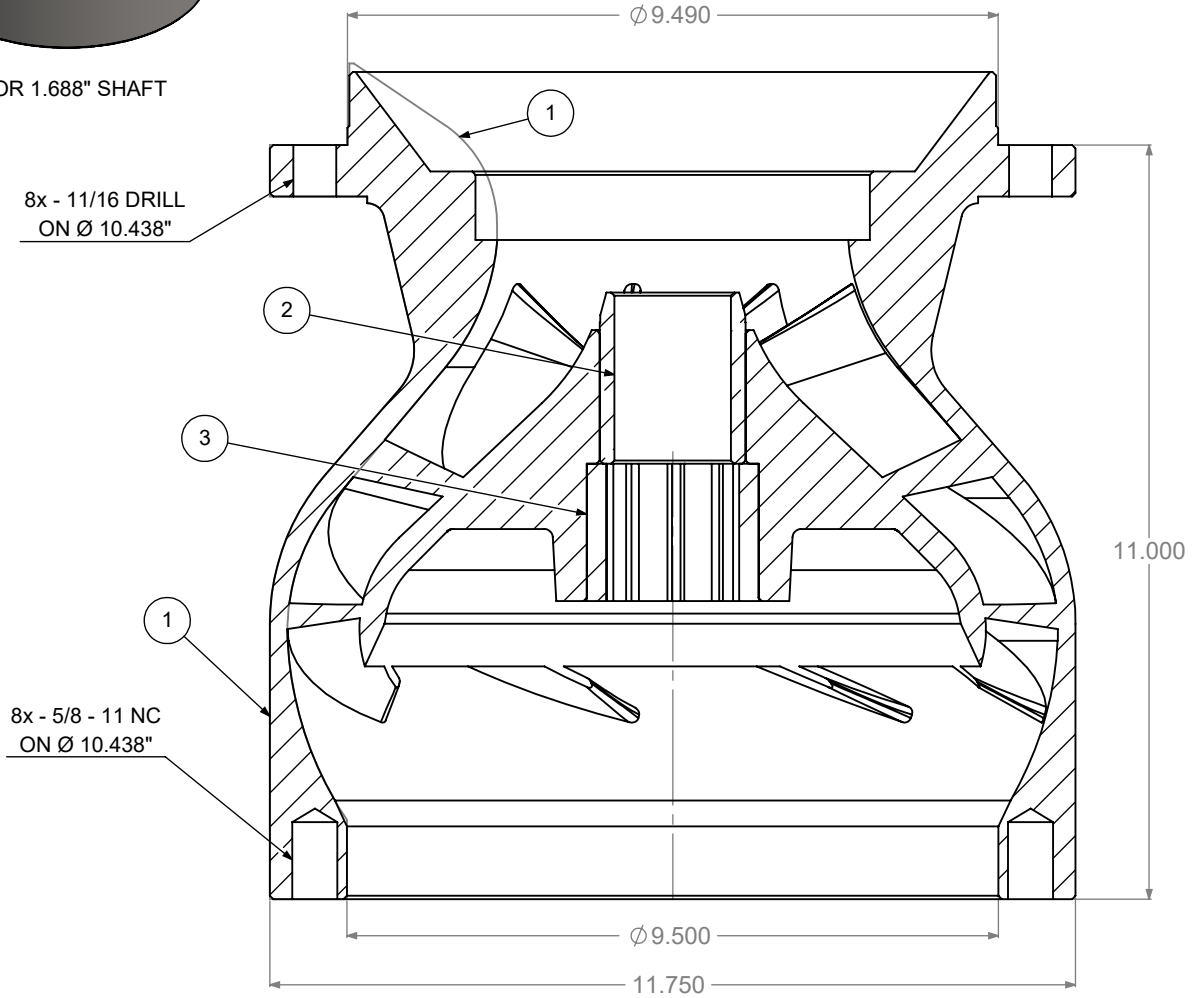
UNLESS OTHERWISE SPECIFIED  
DIMENSIONS ARE IN INCHES

Rev: *0.0.0* SHEET 1 OF 1



FOR 1.688" SHAFT

ASSEMBLY NAME	ASSEMBLY PART No.
Closed Bowl w/ dual brgs R12YC	R1231460
Open Bowl w/ dual brgs R12YO	R1230460



**BILL OF MATERIALS**

ITEM No.	PART NAME	QTY	PART No.	MATERIAL
1	CLOSED BOWL R12YC COMBINED	1	R1231401	CLASS 40 CAST IRON
2	BOWL BRONZE BEARING 1.688 x 2.125 x 2.500	1	CT16881513	C-844 BRONZE
3	OCT RUBBER BEARING 1.688 x 2.500 x 2.000	1	CTE168840441	B-72-2 NEOPRENE DURO 70A

**OPTIONAL**

ITEM No.	PART NAME	PART No.	MATERIAL
1	OPEN BOWL R12YO COMBINED	R1230401	CLASS 40 CAST IRON



**BOMBAS KLASSEN S.A DE C.V.**  
THIS DRAWING IS THE EXCLUSIVE PROPERTY OF  
**BOMBAS KLASSEN S.A DE C.V.**

NO USE WHATSOEVER OF THE INFORMATION  
CONTAINED HEREON MAY BE USED WITHOUT WRITTEN PERMISSION

DWN:	O.A.R	18/05/18
CKD:	M.K.T	18/05/18

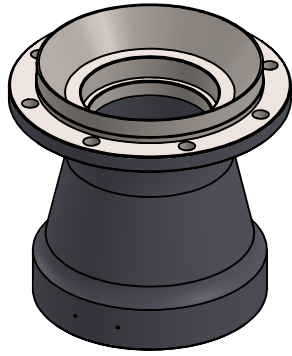
UNLESS OTHERWISE SPECIFIED  
DIMENSIONS ARE IN INCHES  
( ) = mm

LINEAL TOLERANCE	
0.000 - 0.500	=> +/- 0.002
0.501 - 2.000	=> +/- 0.003
2.001 - 10.000	=> +/- 0.005
> 10.000	=> +/- 0.010
ANGULAR	=> +/- 0.3

\* Debur and break sharp edges

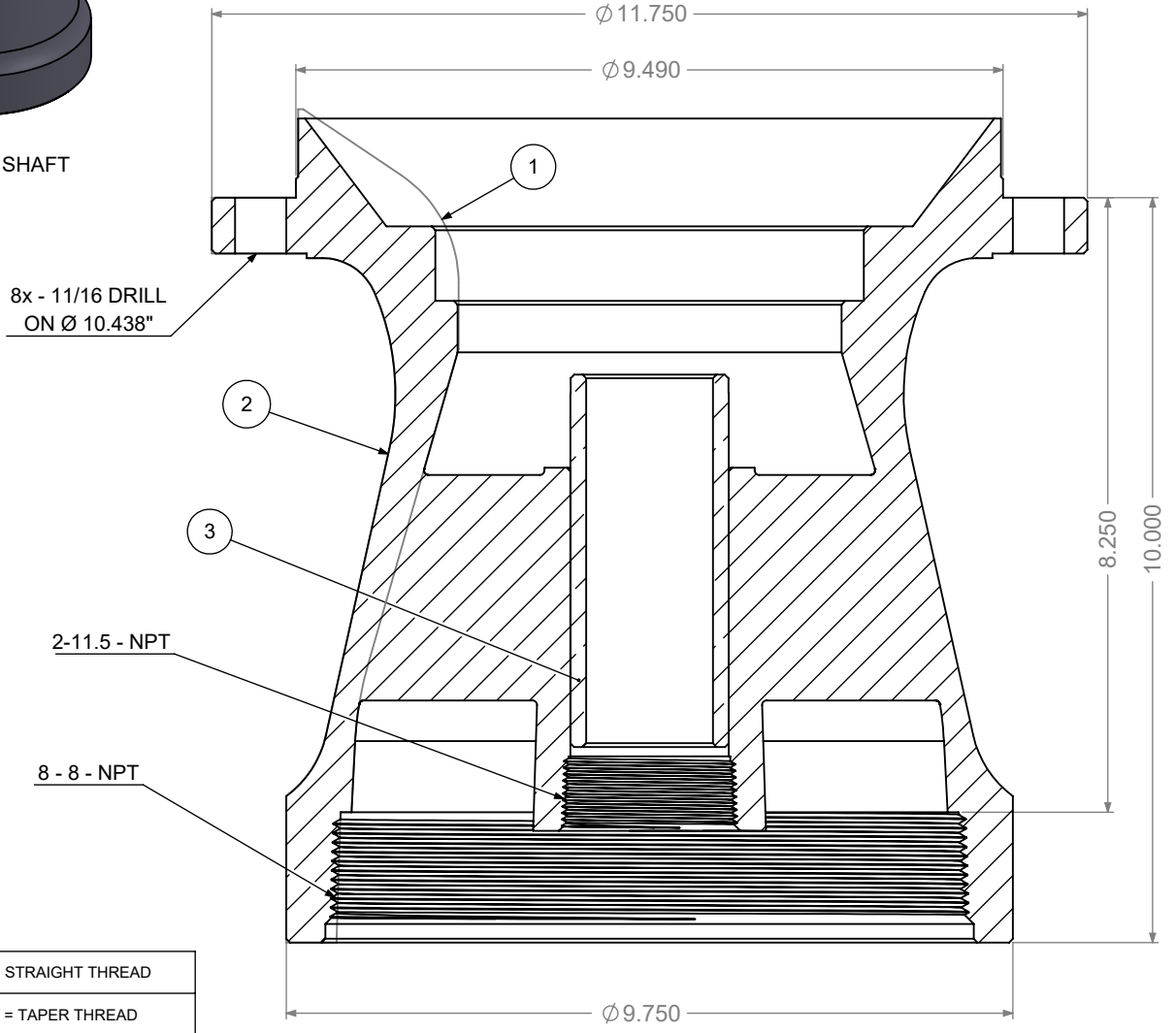
DEPARTMENT: *MACHINING*

Rev: *1.0.0* SHEET 1 OF 1



FOR 1.688" SHAFT

ASSEMBLY NAME	ASSEMBLY PART No.
Suction case w/brz bearing R12YO open 8-ST	R1240760
Suction case w/brz bearing R12YO open 8-TT	R1240860
Suction case w/brz bearing R12YC closed 8-ST	R1241760
Suction case w/brz bearing R12YC closed 8-TT	R1241860



ST = STRAIGHT THREAD
TT = TAPER THREAD

**BILL OF MATERIALS**

ITEM NO.	PART NAME	QTY	PART No.	MATERIAL
1	SUCTION CASE R12YO 8-TT	1	R1240801	CLASS 40 CAST IRON
2	SUCTION CASE R12YC 8TT	1	R1241801	CLASS 40 CAST IRON
3	SUCTION CASE BEARING 1.688 x 2.125 x 5.000	1	CT168811213	C-844 BRONZE

ITEM NO.	PART NAME	PART No.	MATERIAL
1	SUCTION CASE R12YO 8-ST	R1240701	CLASS 40 CAST IRON
2	SUCTION CASE R12YC 8-ST	R1241701	CLASS 40 CAST IRON



**BOMBAS KLASSEN S.A DE C.V.**  
 THIS DRAWING IS THE EXCLUSIVE PROPERTY OF  
**BOMBAS KLASSEN S.A DE C.V.**

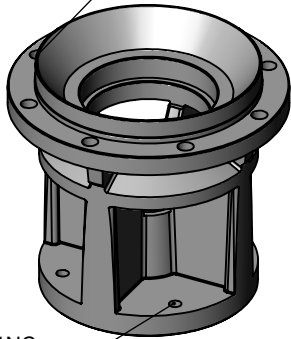
NO USE WHATSOEVER OF THE INFORMATION  
 CONTAINED HEREON MAY BE USED WITHOUT WRITTEN PERMISSION

DEPARTMENT: <b>GENERAL</b>
Rev: <b>0.0.0</b> SHEET 1 OF 1

UNLESS OTHERWISE SPECIFIED  
 DIMENSIONS ARE IN INCHES



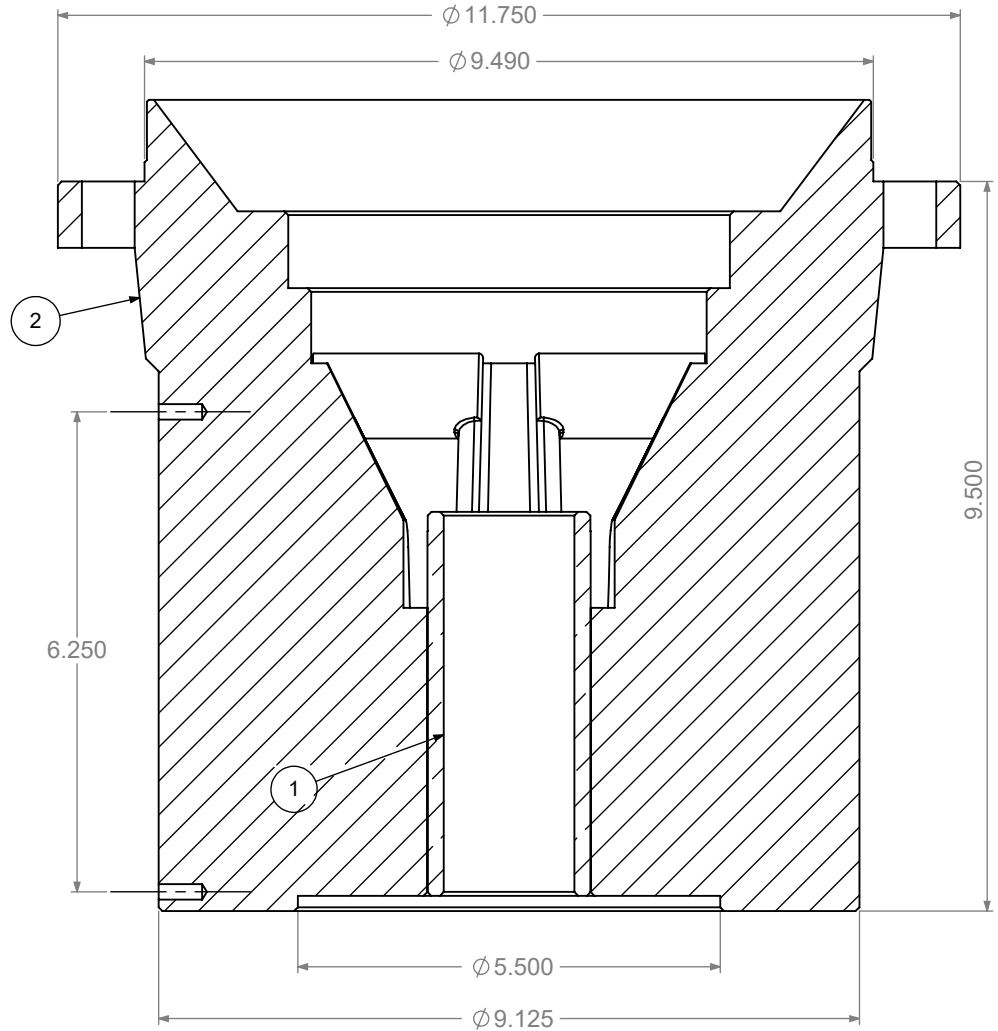
8x - 11/16 DRILL  
ON Ø 10.438"



4x - 5/8 - 11NC  
ON Ø 7.500"

FOR 1.688" SHAFT

ASSEMBLY NAME	ASSEMBLY PART No.
Sub suction case w/brz bearing R12YC closed	R1244660



**BILL OF MATERIALS**

ITEM No.	NAME	QTY	PART No.	MATERIAL
1	SUCTION CASE BEARING 1.688 x 2.125 x 5.000	1	CT168811213	C-844 BRONZE
2	SUB SUCTION CASE R12YC	1	R1244601	CLASS 40 CAST IRON



**BOMBAS KLASSEN S.A DE C.V**  
THIS DRAWING IS THE EXCLUSIVE PROPERTY OF  
**BOMBAS KLASSEN S.A DE C.V**

NO USE WHATSOEVER OF THE INFORMATION  
CONTAINED HEREON MAY BE USED WITHOUT WRITTEN PERMISSION

DEPARTMENT: *GENERAL*

UNLESS OTHERWISE SPECIFIED  
DIMENSIONS ARE IN INCHES

Rev: *0.0.0* SHEET 1 OF 1