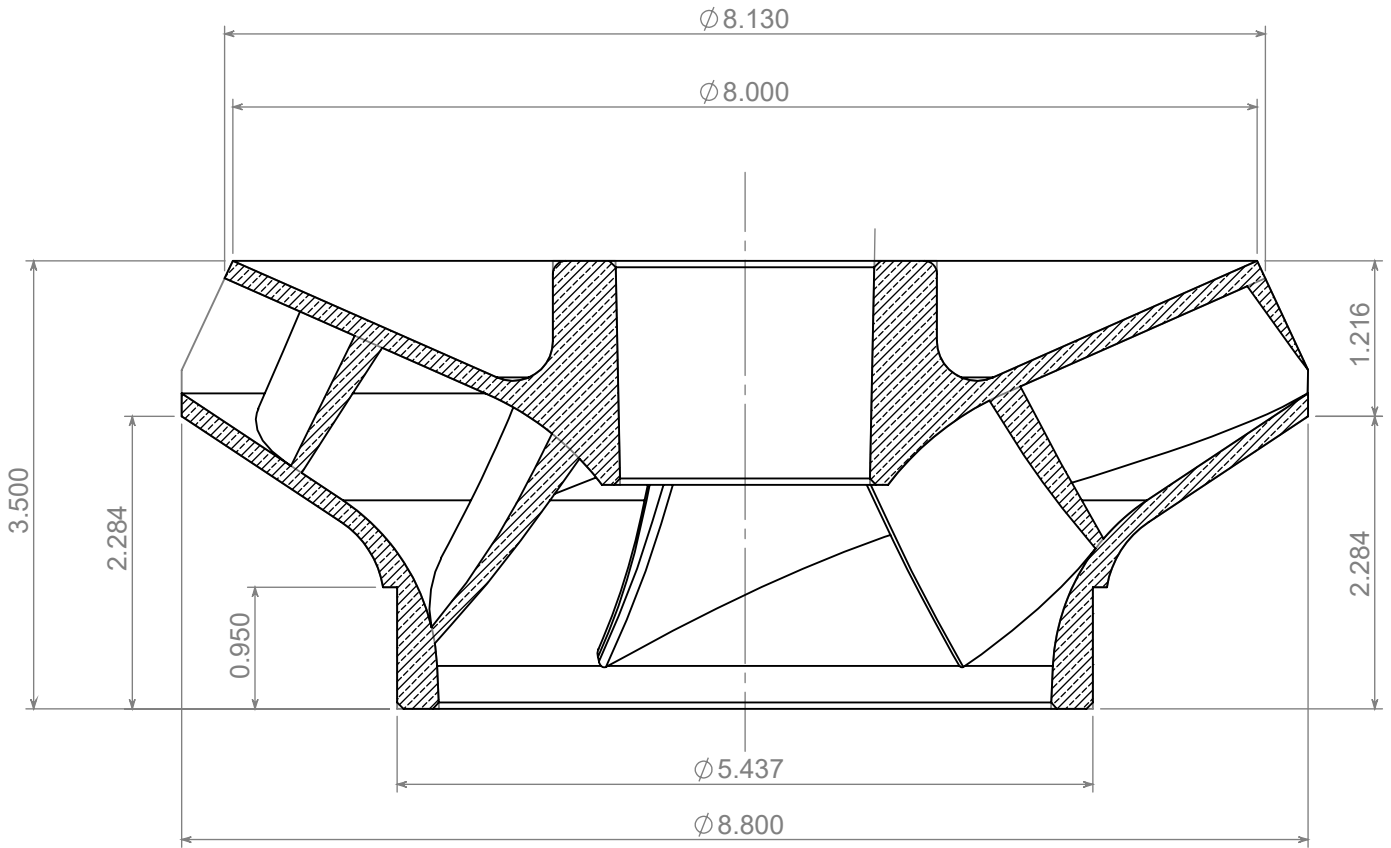


FOR 1.688" SHAFT

NAME	PART No.	MATERIAL
Closed Impeller R11LC	R1111503	CDA836 Pb RED BRASS
Closed Impeller R11MC	R1111703	CDA836 Pb RED BRASS
Closed Impeller R11HC	R1111803	CDA836 Pb RED BRASS



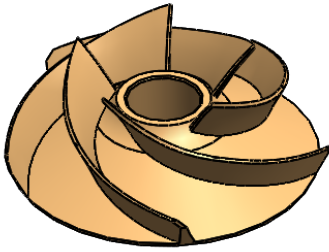
BOMBAS KLASSEN S.A DE C.V
 THIS DRAWING IS THE EXCLUSIVE PROPERTY OF
BOMBAS KLASSEN S.A DE C.V

NO USE WHATSOEVER OF THE INFORMATION
 CONTAINED HEREON MAY BE USED WITHOUT WRITTEN PERMISSION

DEPARTMENT: *MACHINING*

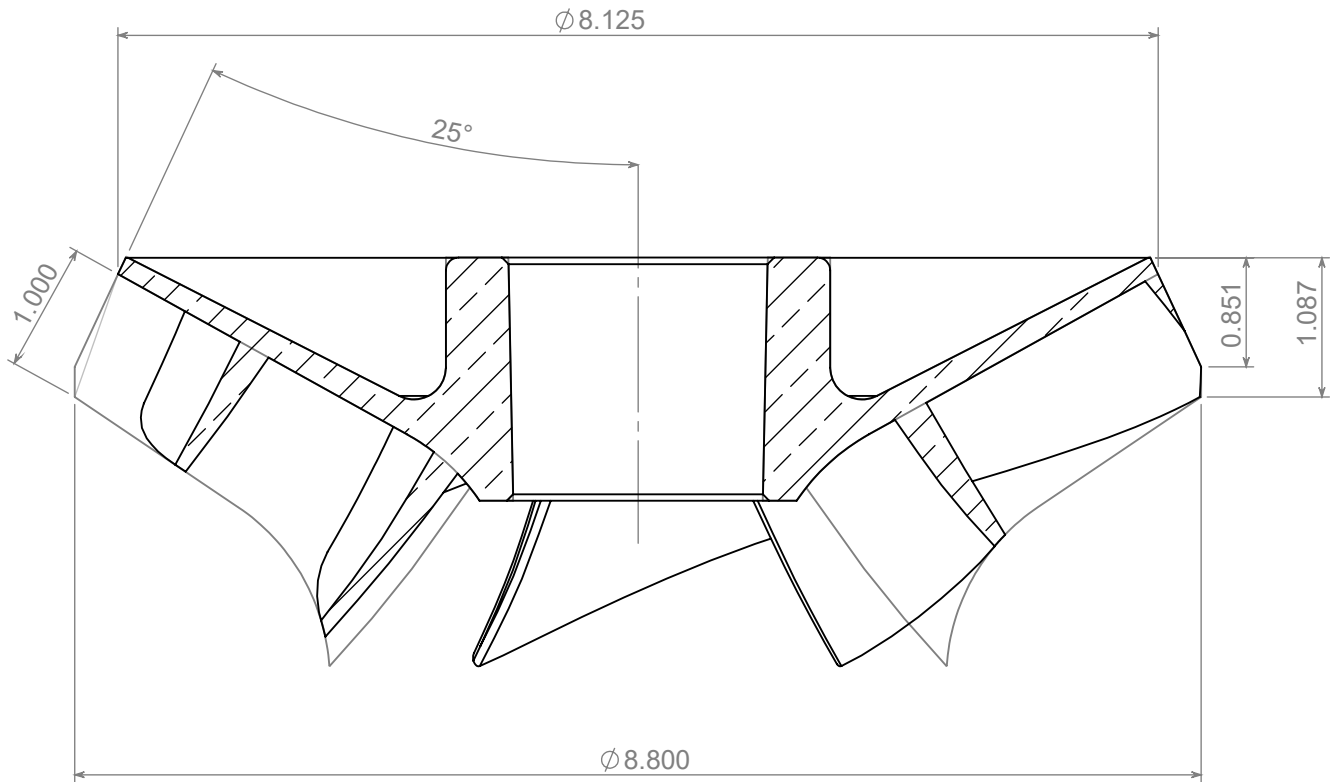
UNLESS OTHERWISE SPECIFIED
 DIMENSIONS ARE IN INCHES

Rev: *0.0.0* SHEET 1 OF 1



FOR 1.688" SHAFT

NAME	PART No.	MATERIAL
Open Impeller R11LO	R1110503	CDA836 Pb RED BRASS
Open Impeller R11MO	R1110703	CDA836 Pb RED BRASS
Open Impeller R11HO	R110803	CDA836 Pb RED BRASS



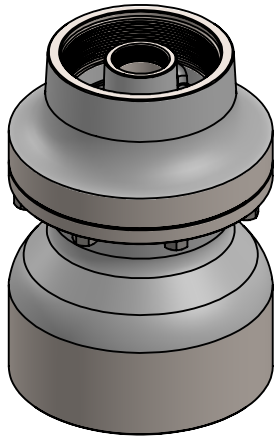
BOMBAS KLASSEN S.A DE C.V
 THIS DRAWING IS THE EXCLUSIVE PROPERTY OF
BOMBAS KLASSEN S.A DE C.V

NO USE WHATSOEVER OF THE INFORMATION
 CONTAINED HEREON MAY BE USED WITHOUT WRITTEN PERMISSION

UNLESS OTHERWISE SPECIFIED
 DIMENSIONS ARE IN INCHES

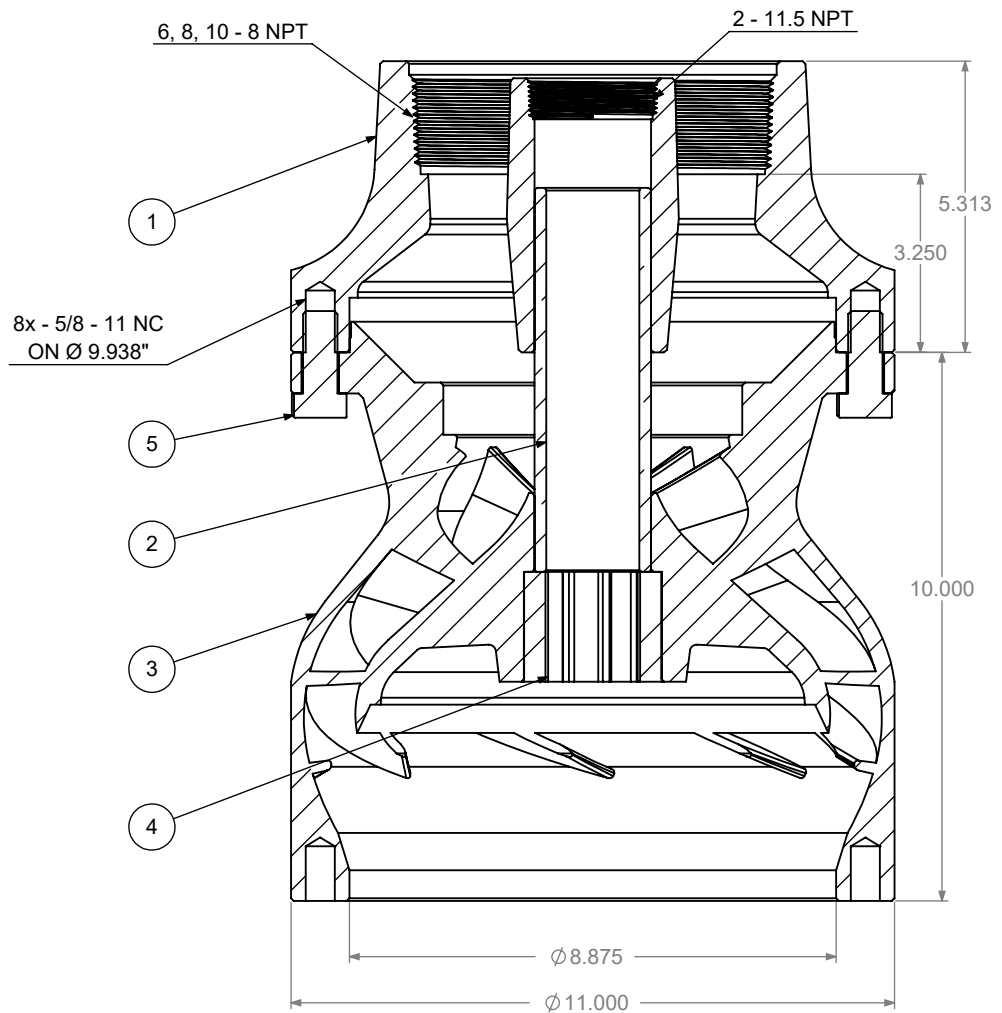
DEPARTMENT: *MACHINING*

Rev: *0.0.0* SHEET 1 OF 1



FOR 1.688" SHAFT

ASSEMBLY NAME	ASSEMBLY PART No.
Sub Column adapter w bowl/brz brg R11 6-TT	R1156060
Sub Column adapter w bowl/brz brg R11 8-TT	R1156260
Sub Column adapter w bowl/brz brg R11 10-TT	R1156460



BILL OF MATERIALS

ITEM NO.	PART NAME	QTY	PART No.	MATERIAL
1	SUB COLUMN ADAPTER R11YC 6-TT	1	R1156001	CLASS 40 CAST IRON
2	DISCHARGE BEARING 1.688 x 2.125 x 7.000	1	CT168810113	C-844 BRONZE
3	CLOSED BOWL R11YC COMBINED	1	R1131401	CLASS 40 CAST IRON
4	OCT RUBBER BEARING 1.688 x 2.500 x 2.000	1	CTE168840441	B-72-2 NEOPRENE DURO 70A
5	HEX BOLT 0.625 x 1.500 x 11-NC	8	GRAL62520151	GRADE 5

OPTIONAL

ITEM NO.	PART NAME	PART No.	MATERIAL
1	SUB COLUMN ADAPTER R11YC 8-TT	R1156201	CLASS 40 CAST IRON
1	SUB COLUMN ADAPTER R11YC 10-TT	R1156401	CLASS 40 CAST IRON



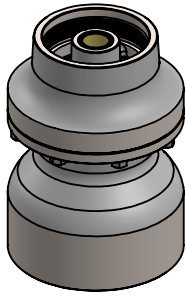
BOMBAS KLASSEN S.A DE C.V
THIS DRAWING IS THE EXCLUSIVE PROPERTY OF
BOMBAS KLASSEN S.A DE C.V

NO USE WHATSOEVER OF THE INFORMATION
CONTAINED HEREON MAY BE USED WITHOUT WRITTEN PERMISSION

DEPARTMENT: *GENERAL*

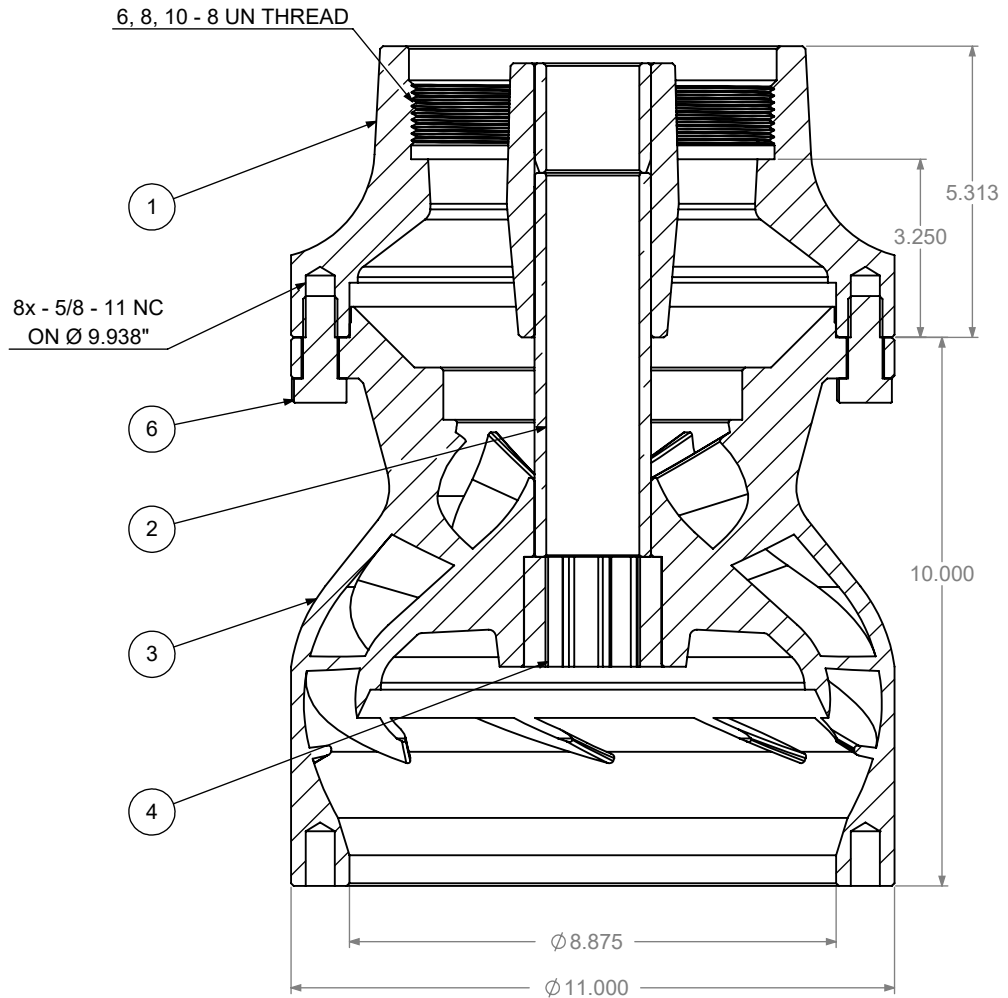
UNLESS OTHERWISE SPECIFIED
DIMENSIONS ARE IN INCHES

Rev: *0.0.0* SHEET 1 OF 1



FOR 1.688" SHAFT

ASSEMBLY NAME	ASSEMBLY PART No.
WL Column adapter w bowl/brz brg R11 6-ST	R1155960
WL Column adapter w bowl/brz brg R11 8-ST	R1156160
WL Column adapter w bowl/brz brg R11 10-ST	R1156360



BILL OF MATERIALS

ITEM NO.	PART NAME	QTY	PART No.	MATERIAL
1	WL COLUMN ADAPTER R11YC 6-ST	1	R1155901	CLASS 40 CAST IRON
2	DISCHARGE BEARING 1.688 x 2.125 x 7.000	1	CT168810113	C-844 BRONZE
3	CLOSED BOWL R11YC COMBINED	1	R1131401	CLASS 40 CAST IRON
4	OCT RUBBER BEARING 1.688 x 2.500 x 2.000	1	CTE168840441	B-72-2 NEOPRENE DURO 70A
5	BOWL BRONZE BEARING 1.688 x 2.125 x 2.000	1	CT168811413	C-844 BRONZE
6	HEX BOLT 0.625 x 1.500 x 11-NC	8	GRAL62520151	GRADE 5

OPTIONAL

ITEM NO.	PART NAME	PART No.	MATERIAL
1	WL COLUMN ADAPTER R11YC 8-ST	R11560101	CLASS 40 CAST IRON
1	WL COLUMN ADAPTER R11YC 10-ST	R1156301	CLASS 40 CAST IRON



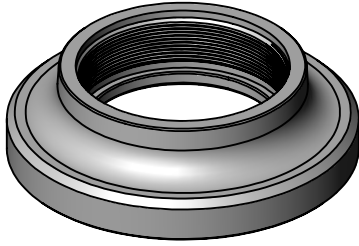
BOMBAS KLASSEN S.A DE C.V.
THIS DRAWING IS THE EXCLUSIVE PROPERTY OF
BOMBAS KLASSEN S.A DE C.V.

NO USE WHATSOEVER OF THE INFORMATION
CONTAINED HEREON MAY BE USED WITHOUT WRITTEN PERMISSION

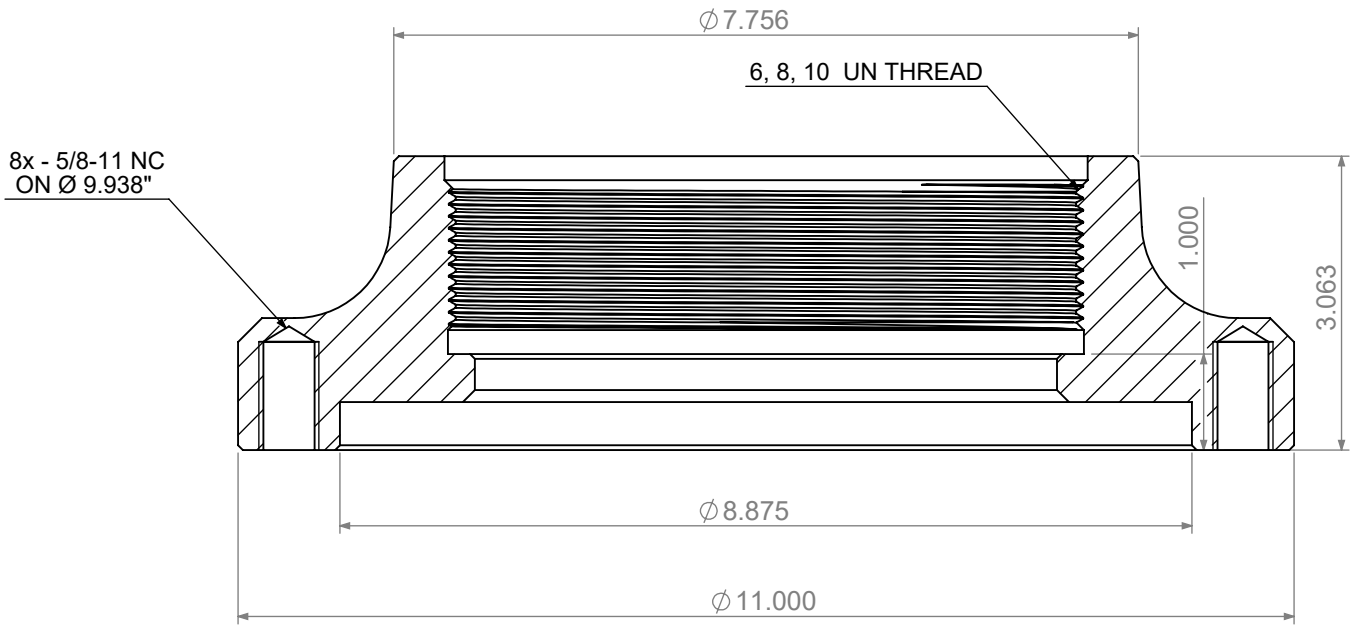
DEPARTMENT: *GENERAL*

UNLESS OTHERWISE SPECIFIED
DIMENSIONS ARE IN INCHES

Rev: *0.0.0* SHEET 1 OF 1



ASSEMBLY NAME	ASSEMBLY PART No.	MATERIAL
Column adapter R11YC 6-ST	R1150901	CLASS 40 CAST IRON
Column adapter R11YC 8-ST	R1151101	CLASS 40 CAST IRON
Column adapter R11YC 10-ST	R1151301	CLASS 40 CAST IRON
Column adapter R11YC 6-TT	R1151001	CLASS 40 CAST IRON
Column adapter R11YC 8-TT	R1151201	CLASS 40 CAST IRON
Column adapter R11YC 10-TT	R1151401	CLASS 40 CAST IRON



BOMBAS KLASSEN S.A DE C.V
 THIS DRAWING IS THE EXCLUSIVE PROPERTY OF
BOMBAS KLASSEN S.A DE C.V

NO USE WHATSOEVER OF THE INFORMATION
 CONTAINED HEREON MAY BE USED WITHOUT WRITTEN PERMISSION

DWN:	O.A.R	18/05/18
CKD:	M.K.T	18/05/18

UNLESS OTHERWISE SPECIFIED
 DIMENSIONS ARE IN INCHES
 () = mm

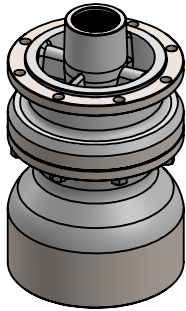
LINEAL TOLERANCE	
0.000 - 0.500	=> +/- 0.002
0.501 - 2.000	=> +/- 0.003
2.001 - 10.000	=> +/- 0.005
> 10.000	=> +/- 0.010
ANGULAR	=> +/- 0.3

* Debur and break sharp edges

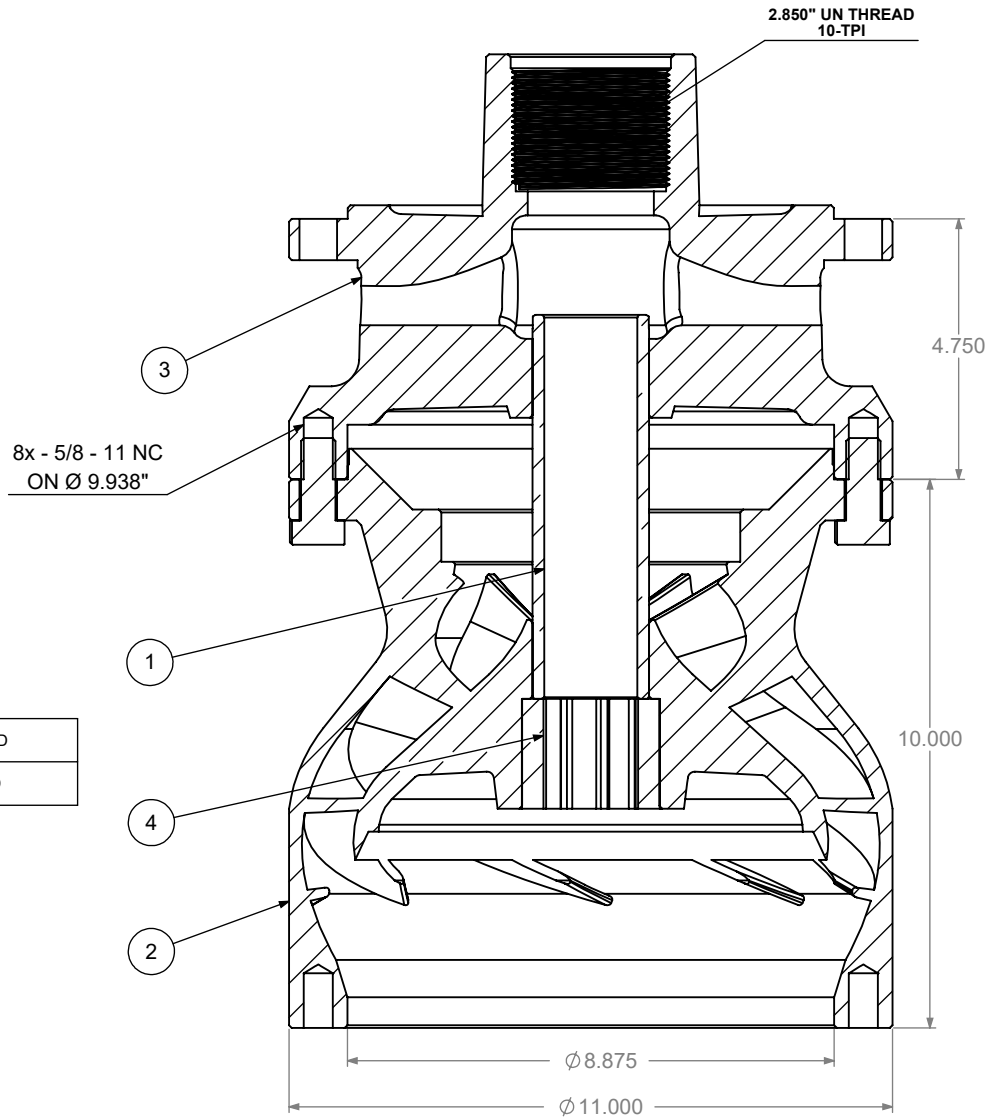
DEPARTMENT: *MACHINING*

Rev: *1.0.0* SHEET 1 OF 1

ASSEMBLY NAME	ASSEMBLY PART No.
Discharge w/ enc. bowl and dual brgs R11 2.5-LH	R1122060
Discharge w/ enc. bowl and dual brgs R11 2.5-RH	R1122160



FOR 1.688" SHAFT



RH = RIGHT HAND
LH = LEFT HAND

BILL OF MATERIALS

ITEM NO.	PART NAME	QTY	PART No.	MATERIAL
1	DISCHARGE BEARING 1.688 x 2.125 x 7.000	1	CT168810113	C-844 BRONZE
2	CLOSED BOWL R11YC COMBINED	1	R1131401	CLASS 40 CAST IRON
3	DISCHARGE CASE R11YC LH	1	R1120301	CLASS 40 CAST IRON
4	OCT RUBBER BEARING 1.688 x 2.500 x 2.000	1	CTE168840441	B-72-2 NEOPRENE DURO 70A
5	HEX BOLT 0.625 x 1.500 x 11-NC	8	GRAL62520151	GRADE 5

OPTIONAL

ITEM NO.	PART NAME	PART No.	MATERIAL
1	DISCHARGE CASE R11YC LH	R1120301	CLASS 40 CAST IRON



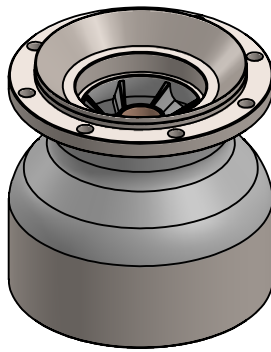
BOMBAS KLASSEN S.A DE C.V.
THIS DRAWING IS THE EXCLUSIVE PROPERTY OF
BOMBAS KLASSEN S.A DE C.V.

NO USE WHATSOEVER OF THE INFORMATION
CONTAINED HEREON MAY BE USED WITHOUT WRITTEN PERMISSION

DEPARTMENT: *GENERAL*

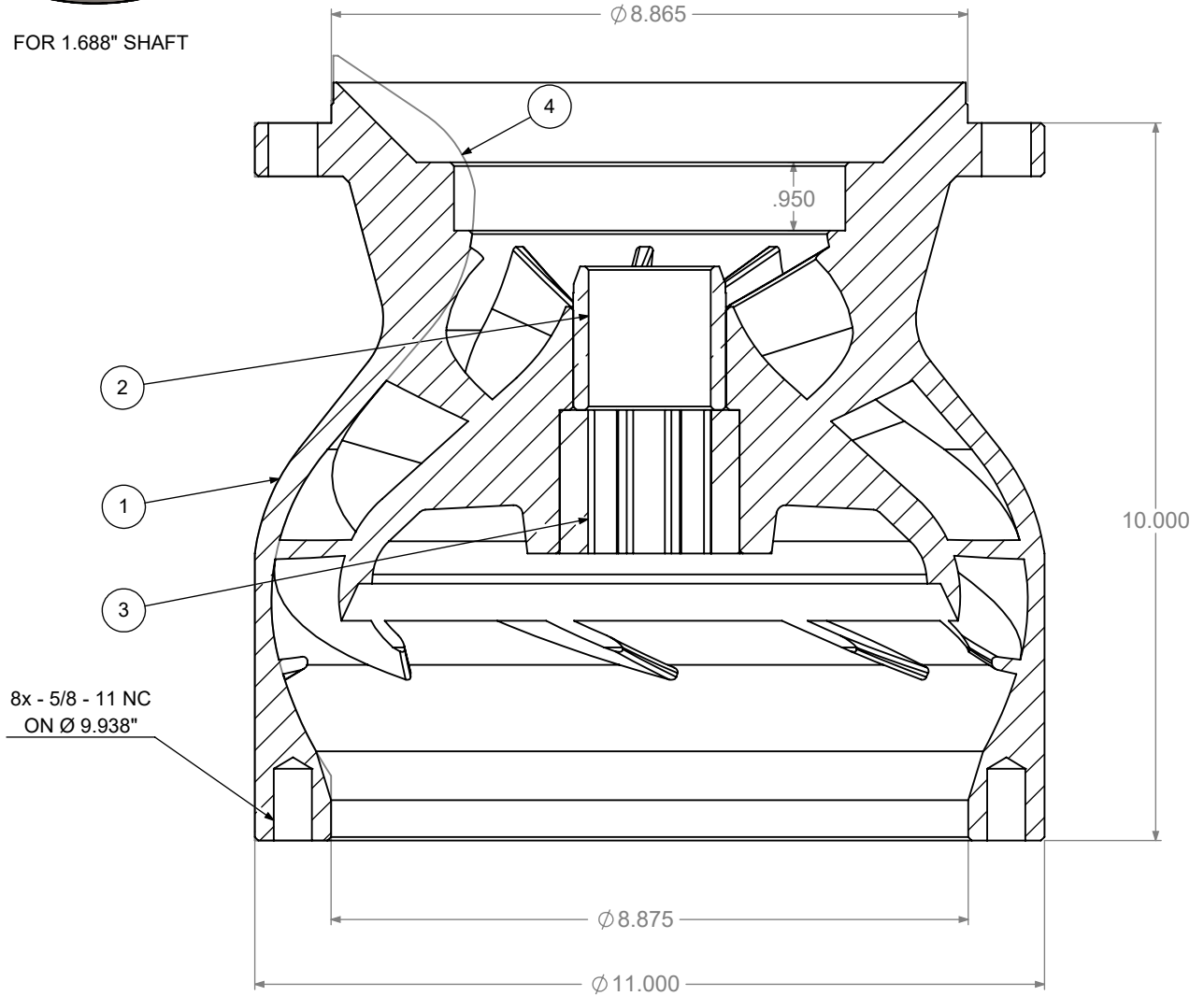
UNLESS OTHERWISE SPECIFIED
DIMENSIONS ARE IN INCHES

Rev: *0.0.0* SHEET 1 OF 1



FOR 1.688" SHAFT

ASSEMBLY NAME	ASSEMBLY PART No.
Closed Bowl w/ dual brgs R11YC	R1131460
Open Bowl w/ dual brgs R11YO	R1130460



BILL OF MATERIALS

ITEM NO.	PART NAME	QTY	PART No.	MATERIAL
1	CLOSED BOWL R11YC COMBINED	1	R1131401	CLASS 40 CAST IRON
2	BOWL BRONZE BEARING 1.688 x 2.125 x 2.000	1	CT168811413	C-844 BRONZE
3	OCT RUBBER BEARING 1.688 x 2.500 x 2.000	1	CTE168840441	B-72-2 NEOPRENE DURO 70A

OPTIONAL

ITEM NO.	PART NAME	PART No.	MATERIAL
4	OPEN BOWL R11YO COMBINED	R1130401	CLASS 40 CAST IRON



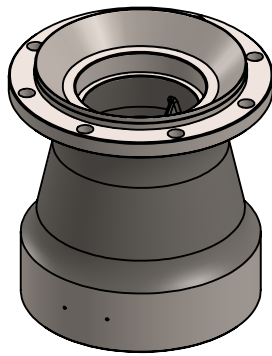
BOMBAS KLASSEN S.A DE C.V
THIS DRAWING IS THE EXCLUSIVE PROPERTY OF
BOMBAS KLASSEN S.A DE C.V

NO USE WHATSOEVER OF THE INFORMATION
CONTAINED HEREON MAY BE USED WITHOUT WRITTEN PERMISSION

DEPARTMENT: *GENERAL*

UNLESS OTHERWISE SPECIFIED
DIMENSIONS ARE IN INCHES

Rev: *0.0.0* SHEET 1 OF 1



FOR 1.688" SHAFT

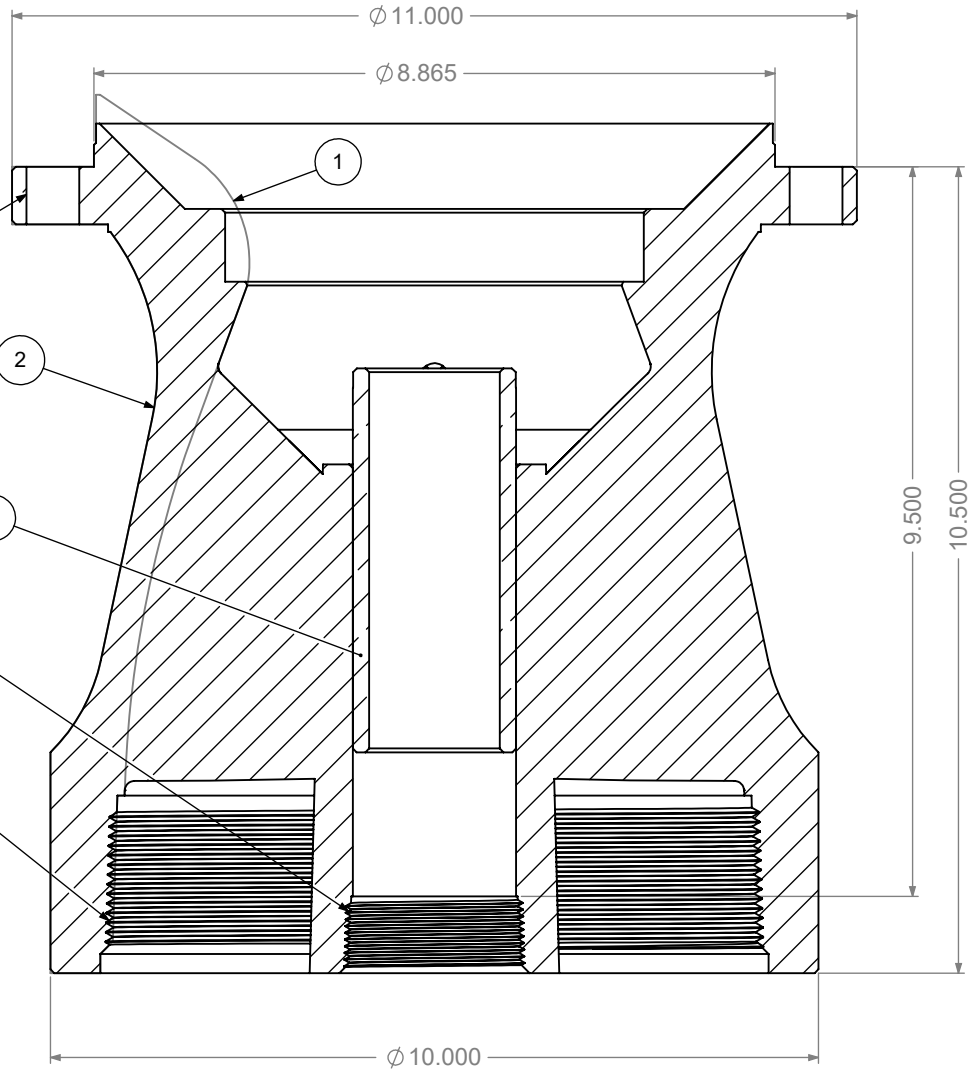
8x - 11/16 DRILL
ON Ø 9.938"

2-11.5 - NPT

8 - 8 - NPT

ST = STRAIGHT THREAD
TT = TAPER THREAD

ASSEMBLY NAME	ASSEMBLY PART No.
Suction case w/brz bearing R11YO open 8-ST	R1140760
Suction case w/brz bearing R11YO open 8-TT	R1140860
Suction case w/brz bearing R11YC closed 8-ST	R1141760
Suction case w/brz bearing R11YC closed 8-TT	R1141860



BILL OF MATERIALS

ITEM NO.	PART NAME	QTY	PART No.	MATERIAL
1	SUCTION CASE R11YO 8-TT	1	R1140801	CLASS 40 CAST IRON
2	SUCTION CASE R11YC 8-TT	1	R1141801	CLASS 40 CAST IRON
3	SUCTION CASE BEARING 1.688 x 2.125 x 5.000	1	CT168811213	C-844 BRONZE

OPTIONAL

ITEM NO.	PART NAME	PART No.	MATERIAL
1	SUCTION CASE R11YO 8-ST	R1140701	CLASS 40 CAST IRON
2	SUCTION CASE R11YC 8-ST	R1141701	CLASS 40 CAST IRON



BOMBAS KLASSEN S.A DE C.V.
THIS DRAWING IS THE EXCLUSIVE PROPERTY OF
BOMBAS KLASSEN S.A DE C.V.

NO USE WHATSOEVER OF THE INFORMATION
CONTAINED HEREON MAY BE USED WITHOUT WRITTEN PERMISSION

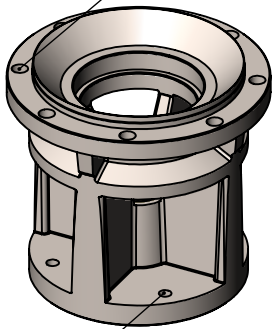
DEPARTMENT: *GENERAL*

UNLESS OTHERWISE SPECIFIED
DIMENSIONS ARE IN INCHES

Rev: *0.0.0* SHEET 1 OF 1

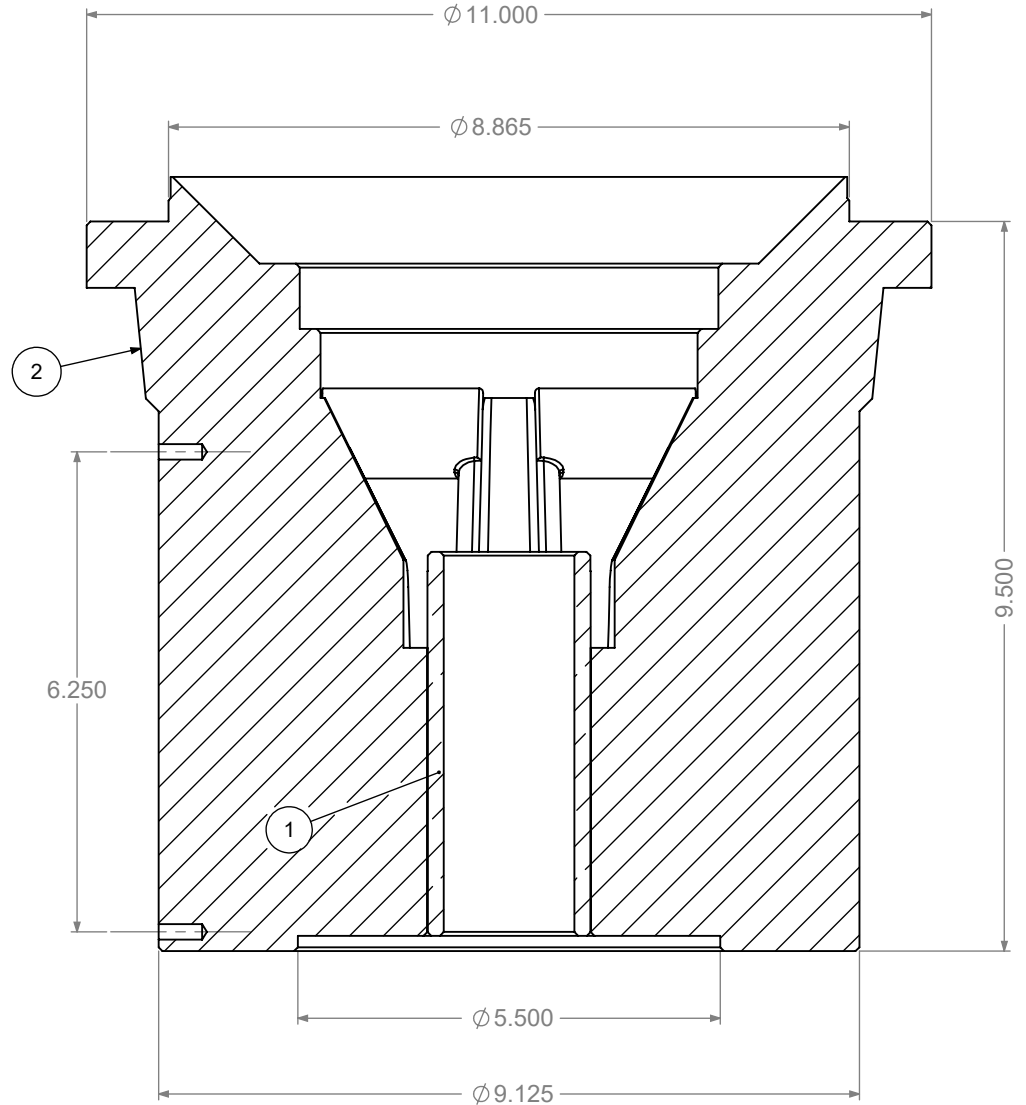
ASSEMBLY NAME	ASSEMBLY PART No.
Sub suction case w/brz bearing R11YC closed	R1144660

8x - 11/16 DRILL
ON Ø 9.938"



4x - 5/8 - 11 NC
ON Ø 7.500"

FOR 1.688" SHAFT



BILL OF MATERIALS

ITEM NO.	PART NAME	QTY	PART No.	MATERIAL
1	SUB SUCTION CASE R11YC CLOSED	1	R1144601	CLASS 40 CAST IRON
2	SUCTION CASE BEARING 1.688 x 2.125 x 5.000	1	CT168811213	C-844 BRONZE



BOMBAS KLASSEN S.A DE C.V
THIS DRAWING IS THE EXCLUSIVE PROPERTY OF
BOMBAS KLASSEN S.A DE C.V

NO USE WHATSOEVER OF THE INFORMATION
CONTAINED HEREON MAY BE USED WITHOUT WRITTEN PERMISSION

DEPARTMENT: *GENERAL*

UNLESS OTHERWISE SPECIFIED
DIMENSIONS ARE IN INCHES

Rev: *0.0.0* SHEET 1 OF 1