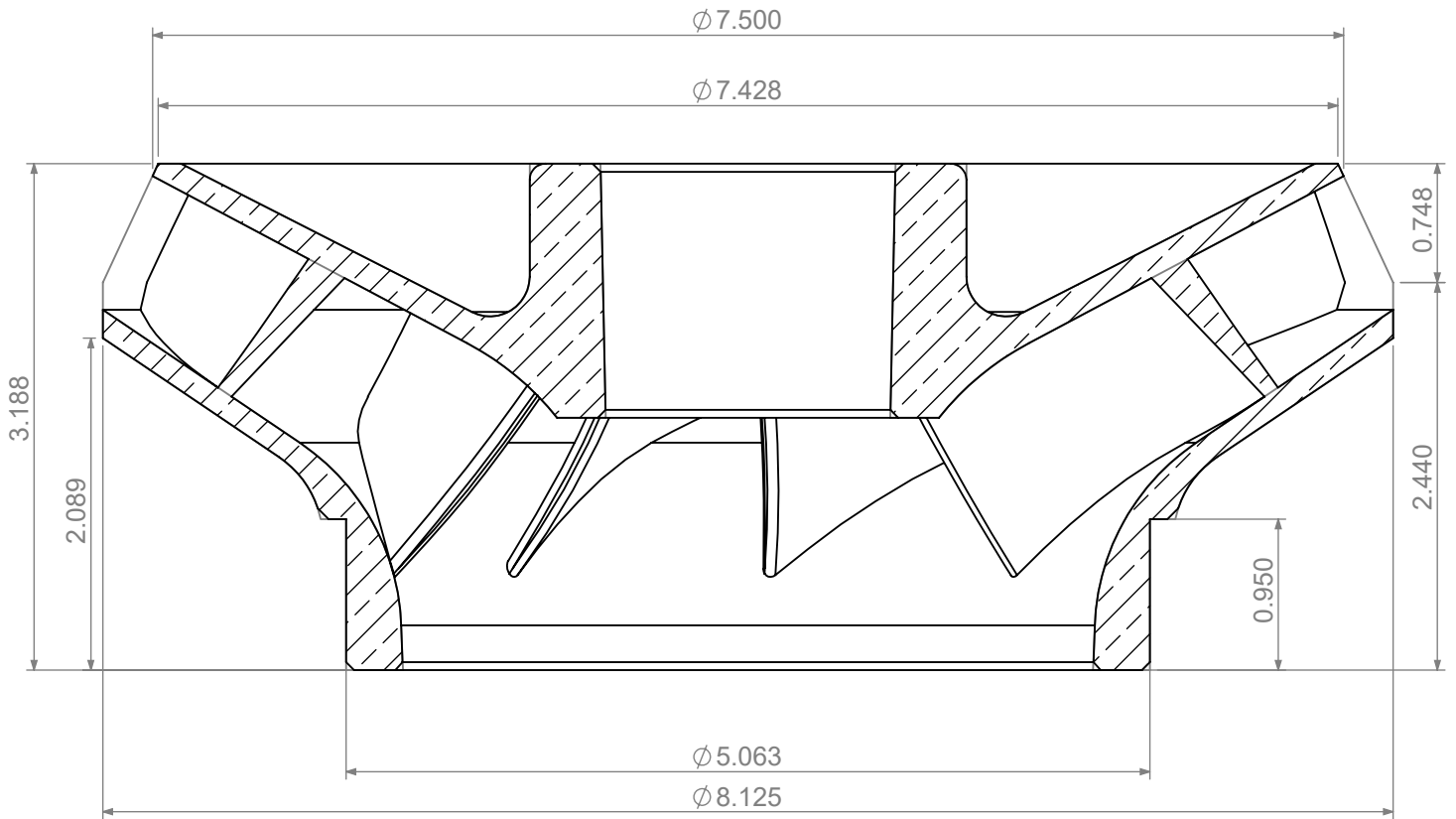


FOR 1.500" SHAFT

ITEM No.	NAME	QTY	PART No.	MATERIAL
1	Closed Impeller R10LC	1	R1011503	CDA836 Pb RED BRASS
2	Closed Impeller R10MC	1	R1011703	CDA836 Pb RED BRASS
3	Closed Impeller R10HC	1	R1011803	CDA836 Pb RED BRASS



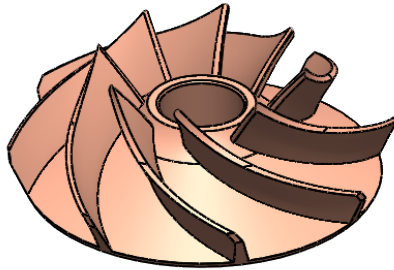
**BOMBAS KLASSEN S.A DE C.V**  
 THIS DRAWING IS THE EXCLUSIVE PROPERTY OF  
**BOMBAS KLASSEN S.A DE C.V**

NO USE WHATSOEVER OF THE INFORMATION  
 CONTAINED HEREON MAY BE USED WITHOUT WRITTEN PERMISSION

DEPARTMENT: *GENERAL*

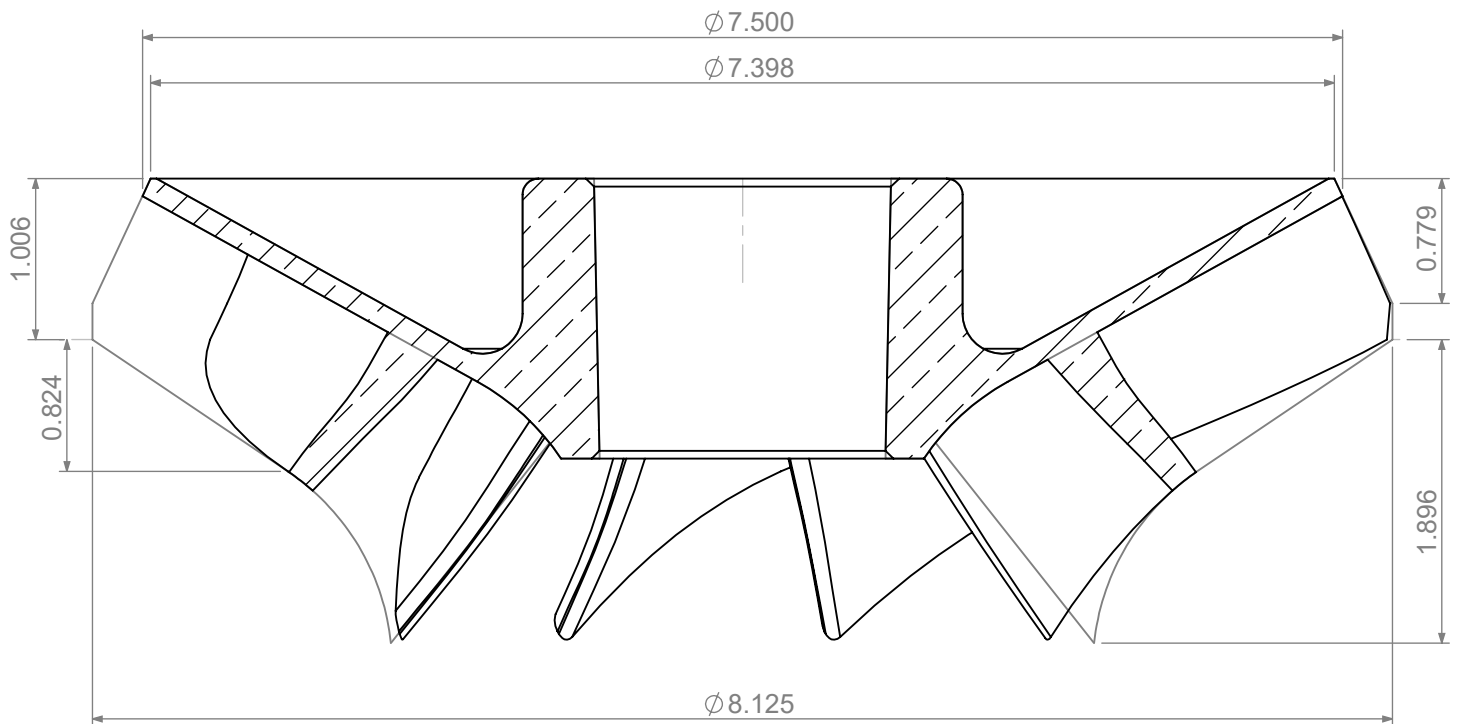
UNLESS OTHERWISE SPECIFIED  
 DIMENSIONS ARE IN INCHES

Rev: *0.0.0* SHEET 1 OF 1



FOR 1.500" SHAFT

NAME	PART No.	MATERIAL
Open Impeller R10LO	R1010503	CDA836 Pb RED BRASS
Open Impeller R10MO	R1010703	CDA836 Pb RED BRASS
Open Impeller R10HO	R1010803	CDA836 Pb RED BRASS



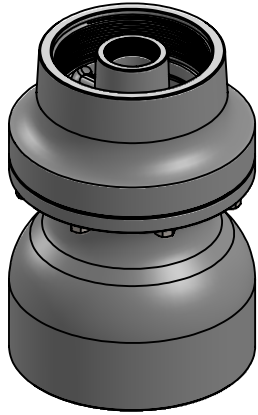
**BOMBAS KLASSEN S.A DE C.V**  
 THIS DRAWING IS THE EXCLUSIVE PROPERTY OF  
**BOMBAS KLASSEN S.A DE C.V**

NO USE WHATSOEVER OF THE INFORMATION  
 CONTAINED HEREON MAY BE USED WITHOUT WRITTEN PERMISSION

UNLESS OTHERWISE SPECIFIED  
 DIMENSIONS ARE IN INCHES

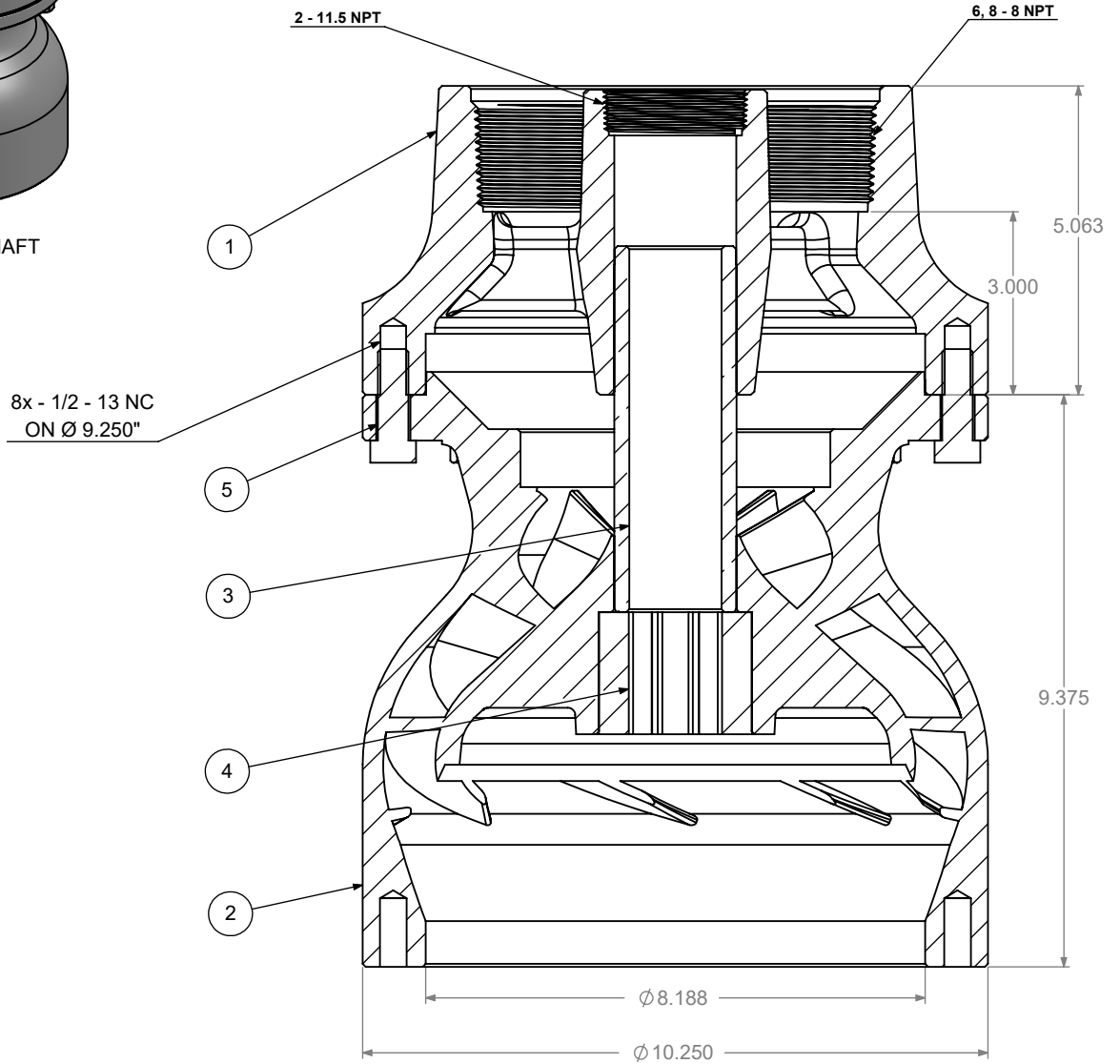
DEPARTMENT: *GENERAL*

Rev: *0.0.0* SHEET 1 OF 1



FOR 1.500" SHAFT

ASSEMBLY NAME	ASSEMBLY PART No.
Sub Column adapter w bowl/brz brg R10 6-TT	R1056060
Sub Column adapter w bowl/brz brg R10 6-TT	R1056260



**BILL OF MATERIALS**

ITEM NO.	PART NAME	QTY	PART No.	MATERIAL
1	SUB COLUMN ADAPTER R10YC 6-TT	1	R1056001	CLASS 40 CAST IRON
2	CLOSED BOWL R10YC COMBINED	1	R1031401	CLASS 40 CAST IRON
3	DISCHARGE BEARING 1.500 x 2.000 x 6.000	1	CT150010213	C-844 BRONZE
4	BOWL RUBBER BEARING 1.500 x 2.500 x 2.000	1	CTE150040741	B-72-2 NEOPRENE DURO 70A
5	HEX BOLT 0.500 x 1.500	8	GRAL50020451	GRADE 5

**OPTIONAL**

ITEM NO.	PART NAME	PART No.	MATERIAL
1	SUB COLUMN ADAPTER R10YC 8-TT	R1056201	CLASS 40 CAST IRON



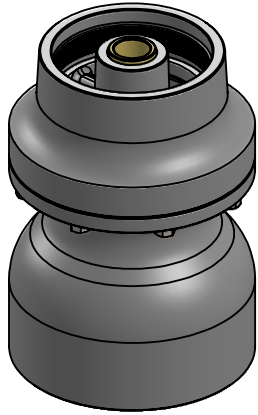
**BOMBAS KLASSEN S.A DE C.V**  
 THIS DRAWING IS THE EXCLUSIVE PROPERTY OF  
**BOMBAS KLASSEN S.A DE C.V**

NO USE WHATSOEVER OF THE INFORMATION  
 CONTAINED HEREON MAY BE USED WITHOUT WRITTEN PERMISSION

DEPARTMENT: *GENERAL*

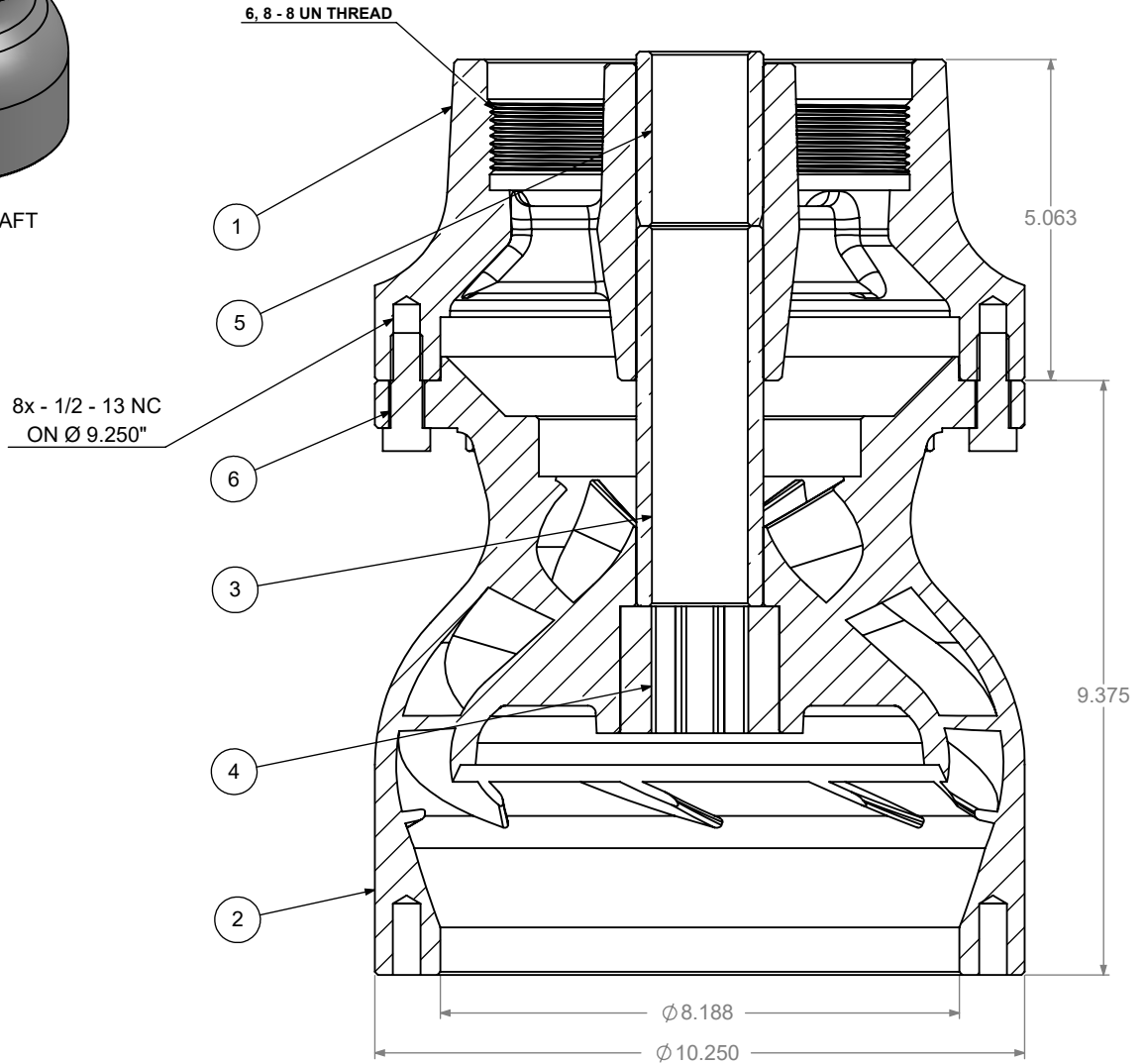
UNLESS OTHERWISE SPECIFIED  
 DIMENSIONS ARE IN INCHES

Rev: *0.0.0* SHEET 1 OF 1



FOR 1.500" SHAFT

ASSEMBLY NAME	ASSEMBLY PART No.
WL Column adapter w bowl/brz brg R10 6-ST	R1055960
WL Column adapter w bowl/brz brg R10 8-ST	R1056160



**BILL OF MATERIALS**

ITEM NO.	PART NAME	QTY	PART No.	MATERIAL
1	WL COLUMN ADAPTER R10YC 6-ST	1	R1055901	CLASS 40 CAST IRON
2	CLOSED BOWL R10YC COMBINED	1	R1031401	CLASS 40 CAST IRON
3	DISCHARGE BEARING 1.500 x 2.000 x 6.000	1	CT150010213	C-844 BRONZE
4	BOWL RUBBER BEARING 1.500 x 2.500 x 2.000	1	CTE150040741	B-72-2 NEOPRENE DURO 70A
5	INTER BRONZE BEARING	1	CT150011113	C-844 BRONZE
6	HEX BOLT 0.500 x 1.500	8	GRAL50020451	GRADE 5

**OPTIONAL**

ITEM NO.	PART NAME	PART No.	MATERIAL
1	WL COLUMN ADAPTER R10YC 8-ST	R1056101	CLASS 40 CAST IRON



**BOMBAS KLASSEN S.A DE C.V.**  
THIS DRAWING IS THE EXCLUSIVE PROPERTY OF  
**BOMBAS KLASSEN S.A DE C.V.**

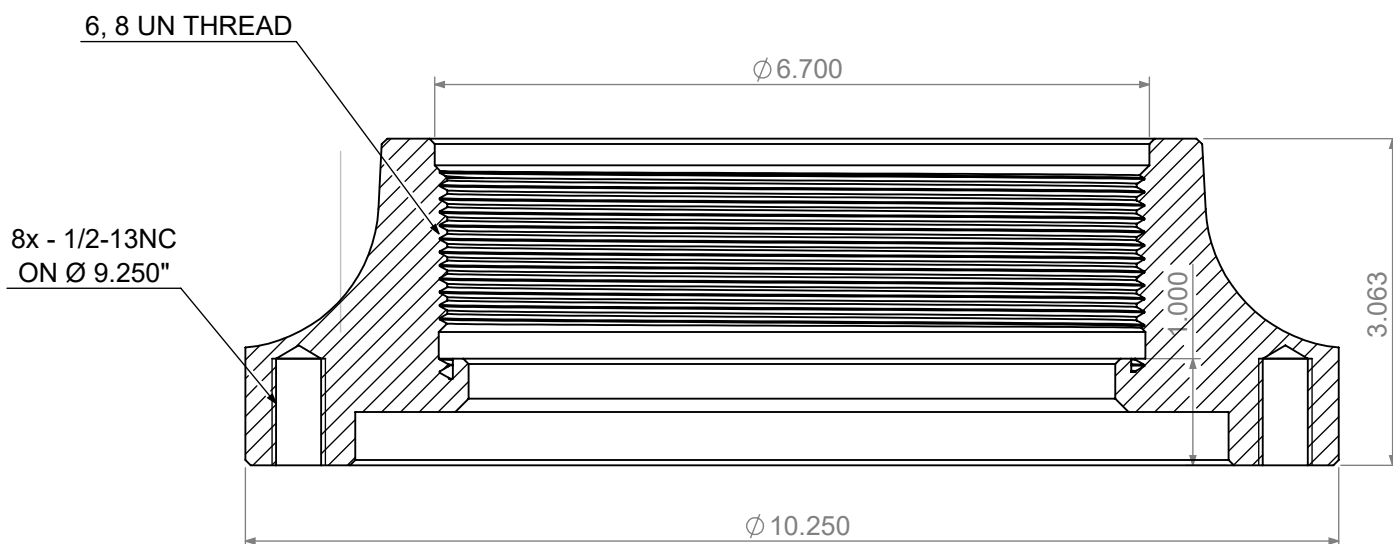
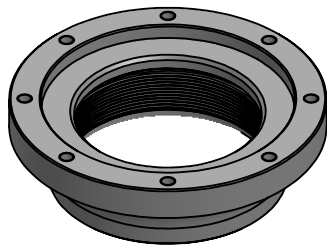
NO USE WHATSOEVER OF THE INFORMATION  
CONTAINED HEREON MAY BE USED WITHOUT WRITTEN PERMISSION

DEPARTMENT: *GENERAL*

UNLESS OTHERWISE SPECIFIED  
DIMENSIONS ARE IN INCHES

Rev: *0.0.0* SHEET 1 OF 1

NAME	PART No.	MATERIAL
Column adapter W10YC 6-ST	R1050901	CLASS 40 CAST IRON
Column adapter W10 F10 6-ST	W1050901	CLASS 40 CAST IRON
Column adapter W10 F10 6-TT	W1051001	CLASS 40 CAST IRON
Column adapter W10 F10 8-TT	W1051201	CLASS 40 CAST IRON



**BOMBAS KLASSEN S.A DE C.V**  
 THIS DRAWING IS THE EXCLUSIVE PROPERTY OF  
**BOMBAS KLASSEN S.A DE C.V**

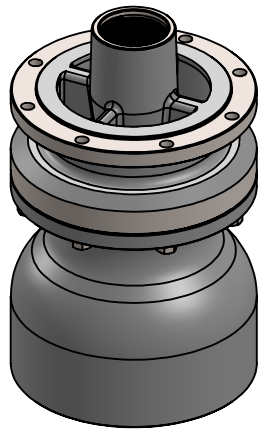
NO USE WHATSOEVER OF THE INFORMATION  
 CONTAINED HEREON MAY BE USED WITHOUT WRITTEN PERMISSION

UNLESS OTHERWISE SPECIFIED  
 DIMENSIONS ARE IN INCHES

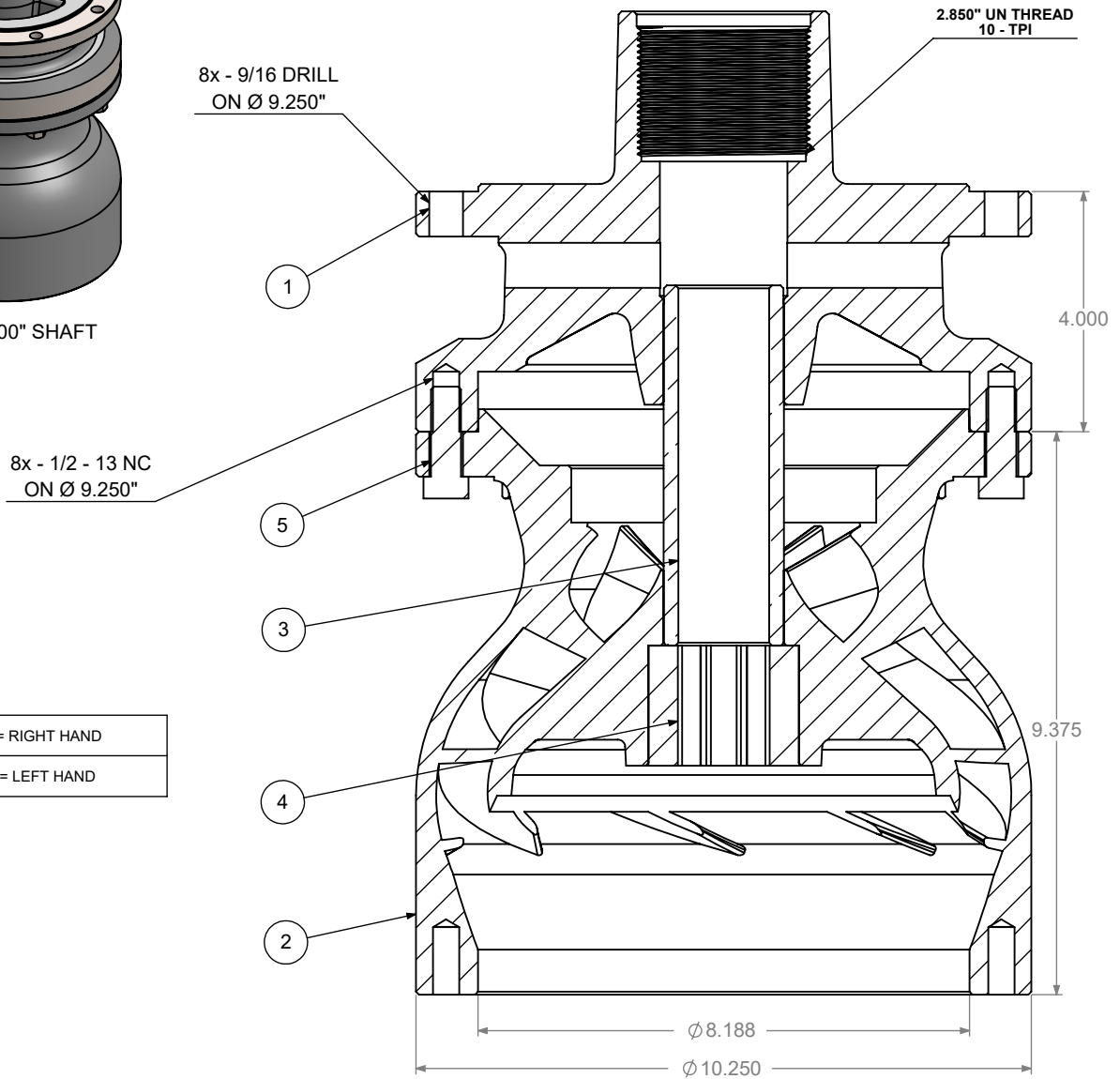
DEPARTMENT: *GENERAL*

Rev: *0.0.0* SHEET 1 OF 1

ASSEMBLY NAME	ASSEMBLY PART No.
Discharge w/ enc. bowl and dual brgs R10 2.5-LH	R1022060
Discharge w/ enc. bowl and dual brgs R10 2.5-RH	R1022160



FOR 1.500" SHAFT



RH = RIGHT HAND
LH = LEFT HAND

**BILL OF MATERIALS**

ITEM NO.	PART NAME	QTY	PART No.	MATERIAL
1	DISCHARGE CASE R10YC 2.5-LH	1	R1020301	CLASS 40 CAST IRON
2	CLOSED BOWL R10YC COMBINED	1	R1031401	CLASS 40 CAST IRON
3	DISCHARGE BEARING 1.500 x 2.000 x 6.000	1	CT150010213	C-844 BRONZE
4	BOWL RUBBER BEARING 1.500 x 2.500 x 2.000	1	CTE150040741	B-72-2 NEOPRENE DURO 70A
5	HEX BOLT 0.500 x 1.500	8	GRAL50020451	GRADE 5

**OPTIONAL**

ITEM NO.	PART NAME	PART No.	MATERIAL
1	DISCHARGE CASE R10YC 2.5-LH	R921301	CLASS 40 CAST IRON



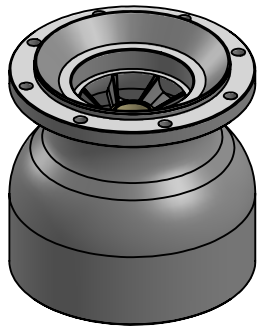
**BOMBAS KLASSEN S.A DE C.V**  
THIS DRAWING IS THE EXCLUSIVE PROPERTY OF  
**BOMBAS KLASSEN S.A DE C.V**

NO USE WHATSOEVER OF THE INFORMATION  
CONTAINED HEREON MAY BE USED WITHOUT WRITTEN PERMISSION

DEPARTMENT: *GENERAL*

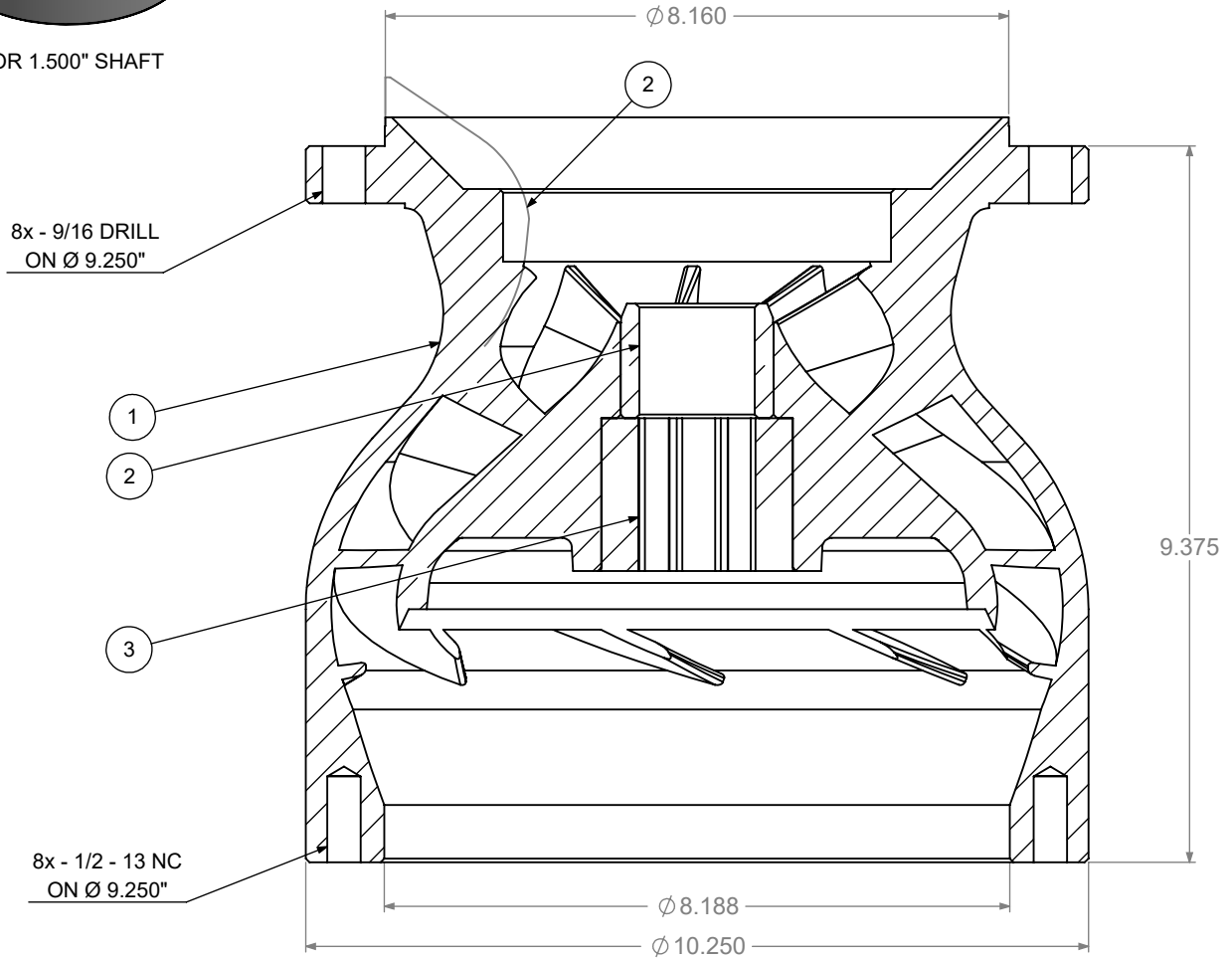
UNLESS OTHERWISE SPECIFIED  
DIMENSIONS ARE IN INCHES

Rev: *0.0.0* SHEET 1 OF 1



FOR 1.500" SHAFT

ASSEMBLY NAME	ASSEMBLY PART No.
Closed Bowl w/ dual brgs R10YC	R1031460
Open Bowl w/ dual brgs R10YO	R1030460



**BILL OF MATERIALS**

ITEM NO.	PART NAME	QTY	PART No.	MATERIAL
1	CLOSED BOWL R10YC COMBINED	1	R1031401	CLASS 40 CAST IRON
2	BOWL BRONZE BEARING 1.500 x 2.000 x 1.500	1	CT150011413	C-844 BRONZE
3	BOWL RUBBER BEARING 1.500 x 2.500 x 2.000	1	CTE150040741	B-72-2 NEOPRENE DURO 70A

**OPTIONAL**

ITEM NO.	PART NAME	PART No.	MATERIAL
1	OPEN BOWL R10YO COMBINED	R1030401	CLASS 40 CAST IRON



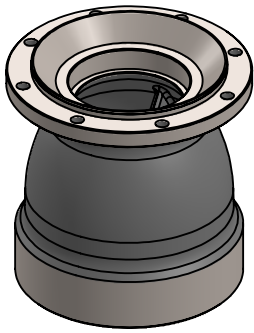
**BOMBAS KLASSEN S.A DE C.V**  
THIS DRAWING IS THE EXCLUSIVE PROPERTY OF  
**BOMBAS KLASSEN S.A DE C.V**

NO USE WHATSOEVER OF THE INFORMATION  
CONTAINED HEREON MAY BE USED WITHOUT WRITTEN PERMISSION

DEPARTMENT: *GENERAL*

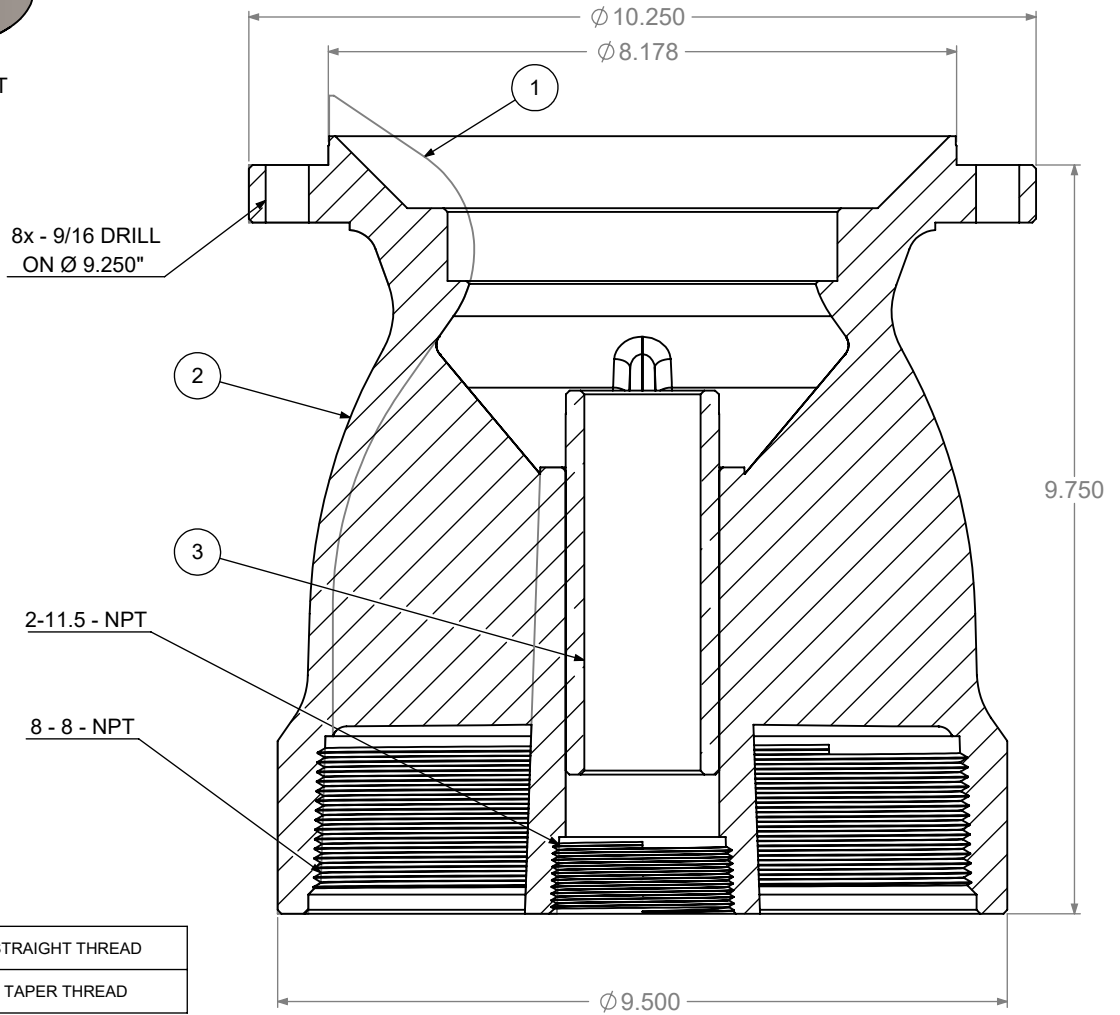
UNLESS OTHERWISE SPECIFIED  
DIMENSIONS ARE IN INCHES

Rev: *0.0.0* SHEET 1 OF 1



FOR 1.500" SHAFT

ASSEMBLY NAME	ASSEMBLY PART No.
Suction case w/brz bearing R10YO open 6-ST	R1040560
Suction case w/brz bearing R10YO open 6-TT	R1040660
Suction case w/brz bearing R10YC closed 6-ST	R1041560
Suction case w/brz bearing R10YC closed 6-TT	R1041660



ST = STRAIGHT THREAD
TT = TAPER THREAD

**BILL OF MATERIALS**

ITEM No.	PART NAME	PART No.	MATERIAL
1	SUCTION CASE R10 YC CLOSED 6-TT	R1041601	CLASS 40 CAST IRON
2	SUCTION CASE R10YO OPEN 6-TT	R1040601	CLASS 40 CAST IRON
3	SUCTION BOWL BEARING 1.500 x 2.000 x 5.000	CT150012113	C-844 BRONZE

**OPTIONAL**

ITEM NO.	PART NAME	PART No.	MATERIAL
1	SUCTION CASE R10YO OPEN 6-ST	R1040501	CLASS 40 CAST IRON
2	SUCTION CASE R10YC CLOSED 6-ST	R1041501	CLASS 40 CAST IRON



**BOMBAS KLASSEN S.A DE C.V**  
 THIS DRAWING IS THE EXCLUSIVE PROPERTY OF  
**BOMBAS KLASSEN S.A DE C.V**

NO USE WHATSOEVER OF THE INFORMATION  
 CONTAINED HEREON MAY BE USED WITHOUT WRITTEN PERMISSION

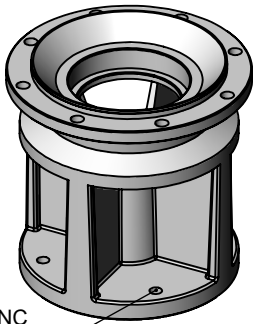
DEPARTMENT: *GENERAL*

UNLESS OTHERWISE SPECIFIED  
 DIMENSIONS ARE IN INCHES

Rev: *0.0.0* SHEET 1 OF 1



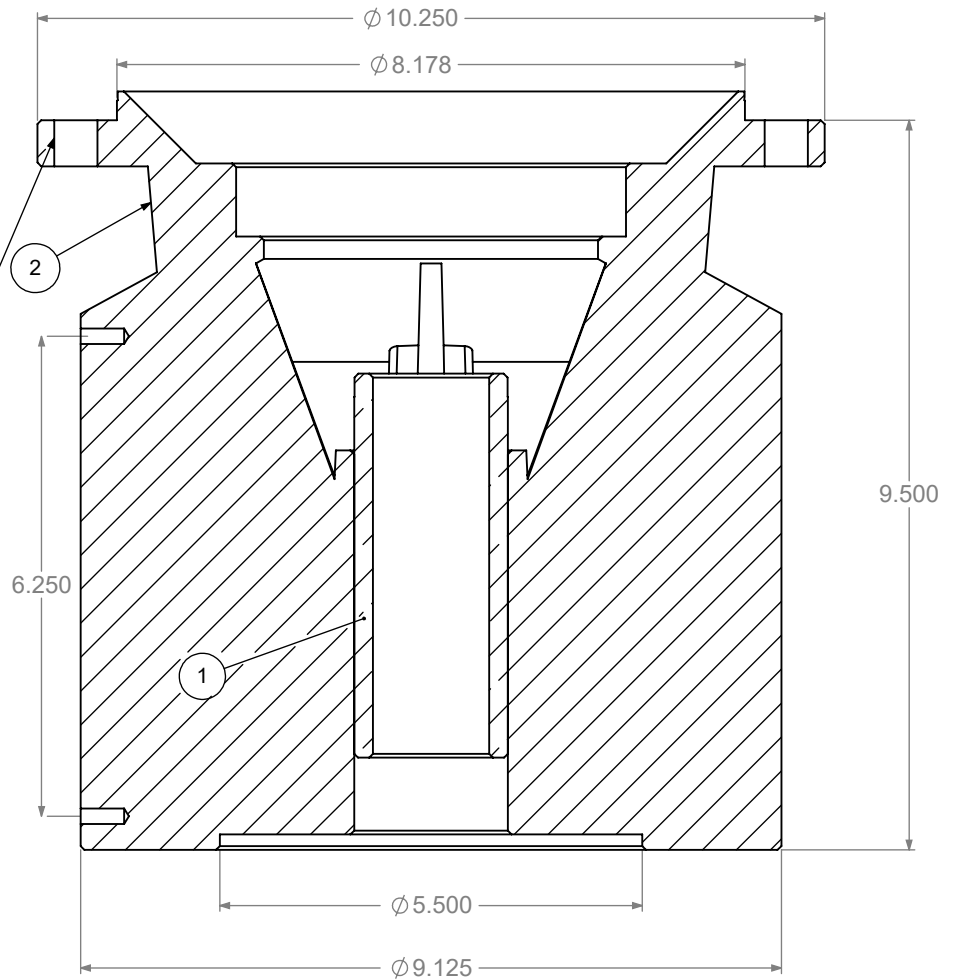
ASSEMBLY NAME	ASSEMBLY PART No.
Sub suction case w/brz bearing R10YC closed	R1044660



4x - 5/8 - 11NC  
ON Ø 7.500"

FOR 1.500" SHAFT

8x - 9/16 DRILL  
ON Ø 9.250"



**BILL OF MATERIALS**

ITEM NO.	PART NAME	QTY	PART No.	MATERIAL
1	SUB SUCTION CASE R10YC	1	R1044601	CLASS 40 CAST IRON
2	SUCTION BOWL BEARING 1.500 x 2.000 x 5.000	1	CT150012113	C-844 BRONZE



**BOMBAS KLASSEN S.A DE C.V**  
THIS DRAWING IS THE EXCLUSIVE PROPERTY OF  
**BOMBAS KLASSEN S.A DE C.V**

NO USE WHATSOEVER OF THE INFORMATION  
CONTAINED HEREON MAY BE USED WITHOUT WRITTEN PERMISSION

DEPARTMENT: *GENERAL*  
Rev: *0.0.0* SHEET 1 OF 1

UNLESS OTHERWISE SPECIFIED  
DIMENSIONS ARE IN INCHES