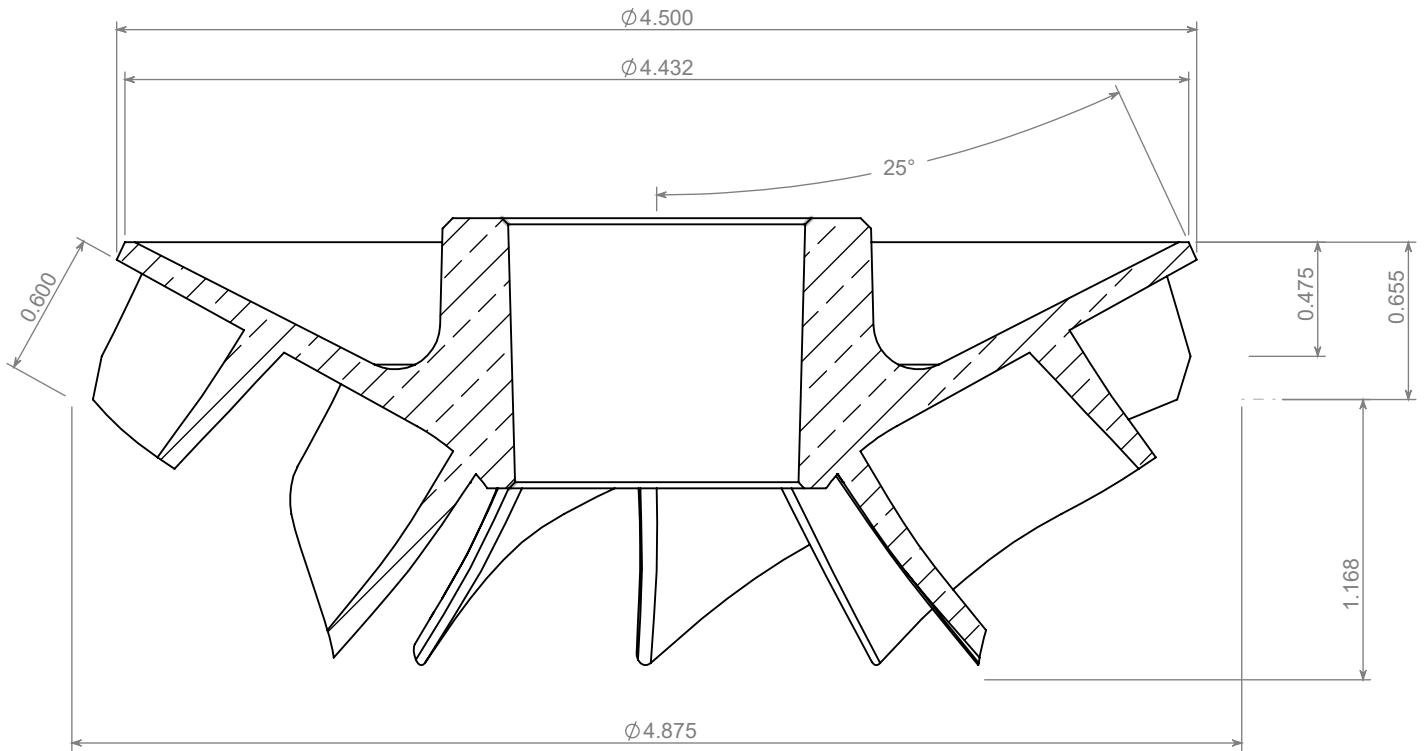


FOR 1.000" SHAFT

NAME	PART No.	MATERIAL
Open Impeller M6LO 0.525	M6105B03	CDA836 Pb RED BRASS
Open Impeller M6LO 0.575	M6105A03	CDA836 Pb RED BRASS
Open Impeller M6MO 0.590	M6107A03	CDA836 Pb RED BRASS
Open Impeller M6HO 0.600	M6108A03	CDA836 Pb RED BRASS



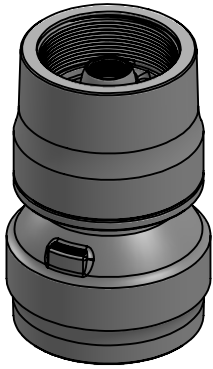
BOMBAS KLASSEN S.A DE C.V
 THIS DRAWING IS THE EXCLUSIVE PROPERTY OF
BOMBAS KLASSEN S.A DE C.V

NO USE WHATSOEVER OF THE INFORMATION
 CONTAINED HEREON MAY BE USED WITHOUT WRITTEN PERMISSION

UNLESS OTHERWISE SPECIFIED
 DIMENSIONS ARE IN INCHES

DEPARTMENT: *GENERAL*

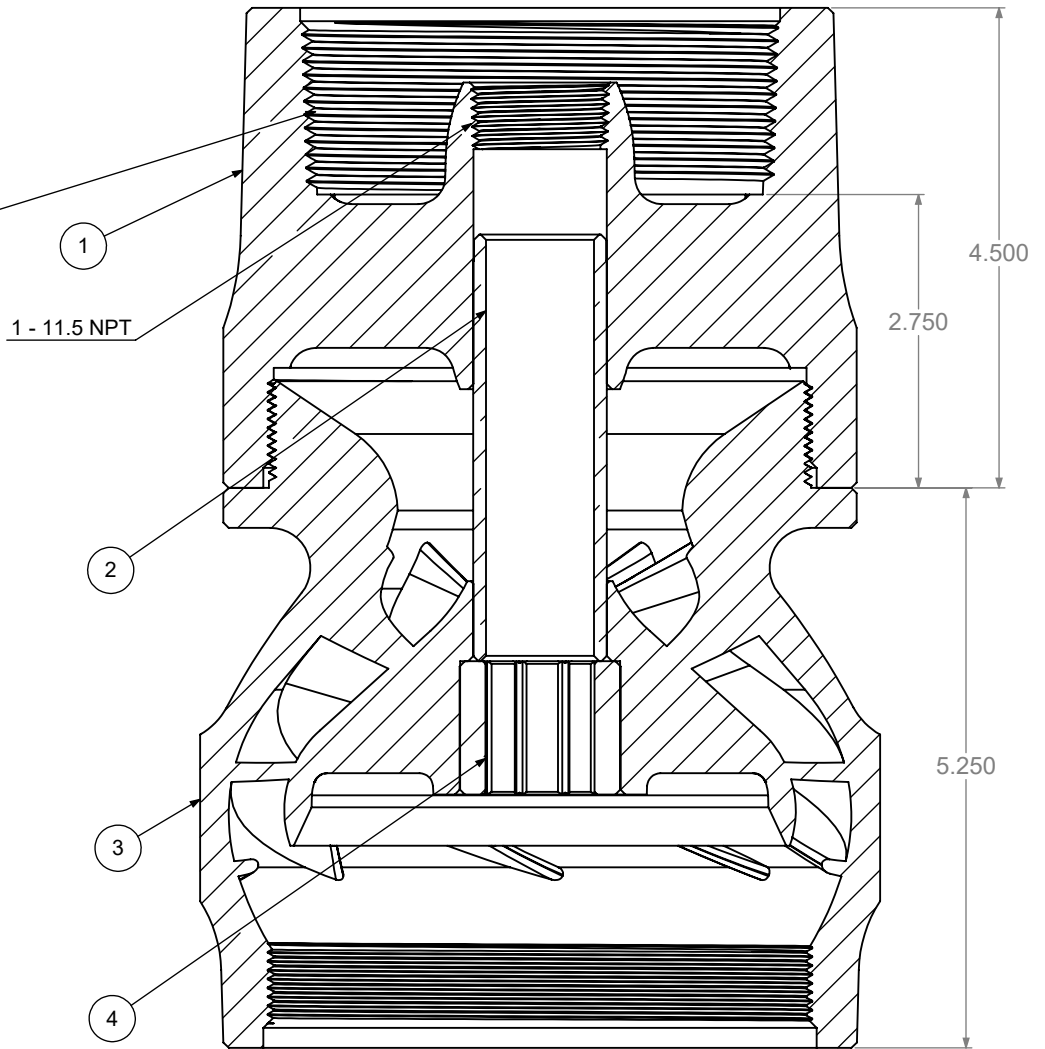
Rev: *0.0.0* SHEET 1 OF 1



FOR 1.000" SHAFT

4 - 8 NPT

ASSEMBLY NAME	ASSEMBLY PART No.
Sub Column adapter w bowl/brz brg M6 4-TT	M622360



TT = TAPER THREAD

BILL OF MATERIALS

ITEM NO.	PART NAME	QTY	PART No.	MATERIAL
1	SUBMERSIBLE DISCHARGE M6YZ NPT 4	1	M622301	CLASS 40 CAST IRON
2	DISCHARGE BEARING 1.000 x1.250 x 4.000	1	CT100010113	C-844 BRONZE
3	COMBINED BOWL M6YO OPEN	1	M630401	CLASS 40 CAST IRON
4	BOWL RUBBER BEARING 1.000 X 1.500 X1.250	1	CTE100040541	B-72-2 NEOPRENE DURO 70A



BOMBAS KLASSEN S.A DE C.V
THIS DRAWING IS THE EXCLUSIVE PROPERTY OF
BOMBAS KLASSEN S.A DE C.V

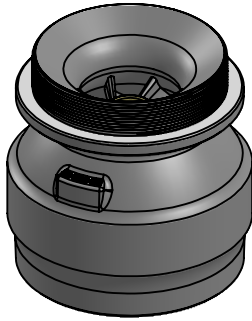
NO USE WHATSOEVER OF THE INFORMATION
CONTAINED HEREON MAY BE USED WITHOUT WRITTEN PERMISSION

DEPARTMENT: *GENERAL*

UNLESS OTHERWISE SPECIFIED
DIMENSIONS ARE IN INCHES

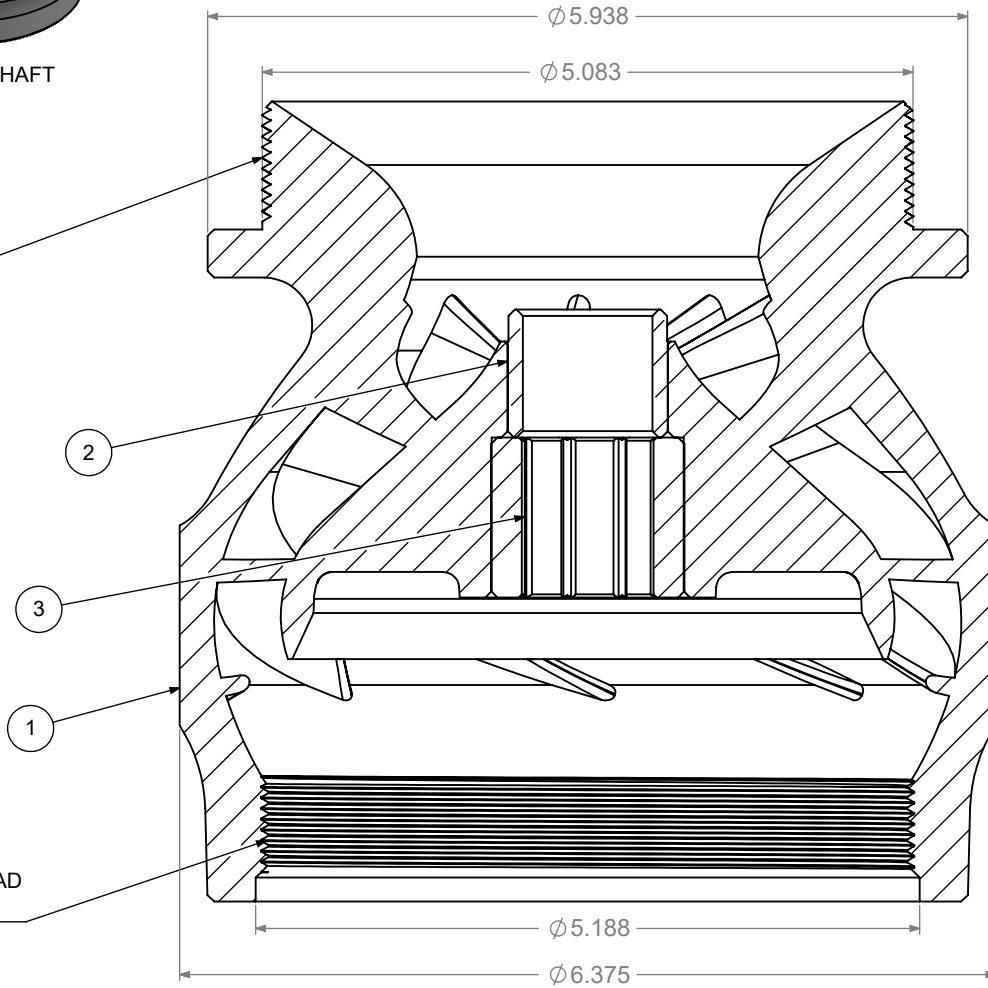
Rev: *0.0.0* SHEET 1 OF 1

ASSEMBLY NAME	ASSEMBLY PART No.
Closed Bowl w/ dual brgs M6YO	M630460



FOR 1.000" SHAFT

5 UN THREAD
12-TPI



5 UN THREAD
12-TPI

BILL OF MATERIALS

ITEM NO.	PART NAME	QTY	PART No.	MATERIAL
1	COMBINED INTER BOWL M6YO	1	M630401	CLASS 40 CAST IRON
2	INTER BRONZE BEARING 1.000 x 1.250 x 1.000	1	CTE100011013	C-44 BRONZE
3	OCT RUBBER BEARING 1.000 x 1.500 x 1.250	1	CTE100040541	B-72-2 NEOPRENE DURO 70A



BOMBAS KLASSEN S.A DE C.V
THIS DRAWING IS THE EXCLUSIVE PROPERTY OF
BOMBAS KLASSEN S.A DE C.V

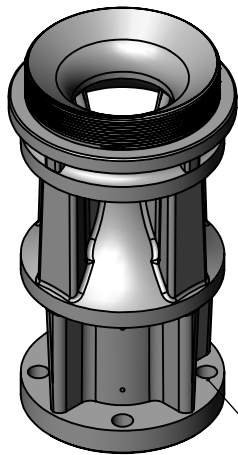
NO USE WHATSOEVER OF THE INFORMATION
CONTAINED HEREON MAY BE USED WITHOUT WRITTEN PERMISSION

DEPARTMENT: *GENERAL*

UNLESS OTHERWISE SPECIFIED
DIMENSIONS ARE IN INCHES

Rev: *0.0.0* SHEET 1 OF 1

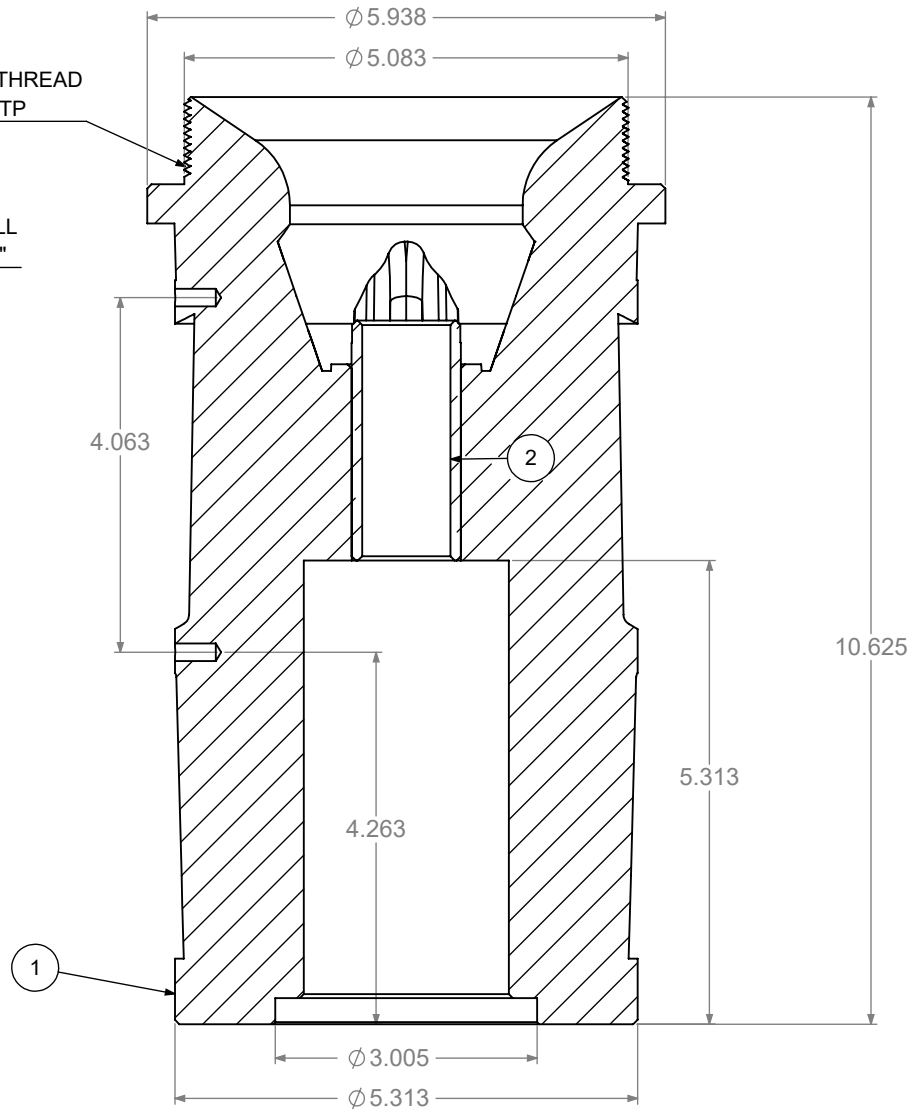
ASSEMBLY NAME	ASSEMBLY PART No.
Suction case w/brz bearing M6YO closed nema 6	M643260



FOR 1.000" SHAFT

5.085 UN THREAD
12-TTP

4x - 9/16 DRILL
ON Ø 4.375"



BILL OF MATERIALS

ITEM NO.	PART NAME	QTY	PART No.	MATERIAL
1	SUCTION CASE M6YO NEMA 6	1	M644601	CLASS 40 CAST IRON
2	SUCTION BOWL BEARING 1.000 x 1.250 x 2.750	1	CT100012113	C-844 BRONZE



BOMBAS KLASSEN S.A DE C.V
THIS DRAWING IS THE EXCLUSIVE PROPERTY OF
BOMBAS KLASSEN S.A DE C.V

NO USE WHATSOEVER OF THE INFORMATION
CONTAINED HEREON MAY BE USED WITHOUT WRITTEN PERMISSION

DEPARTMENT: *GENERAL*

UNLESS OTHERWISE SPECIFIED
DIMENSIONS ARE IN INCHES

Rev: *0.0.0* SHEET 1 OF 1