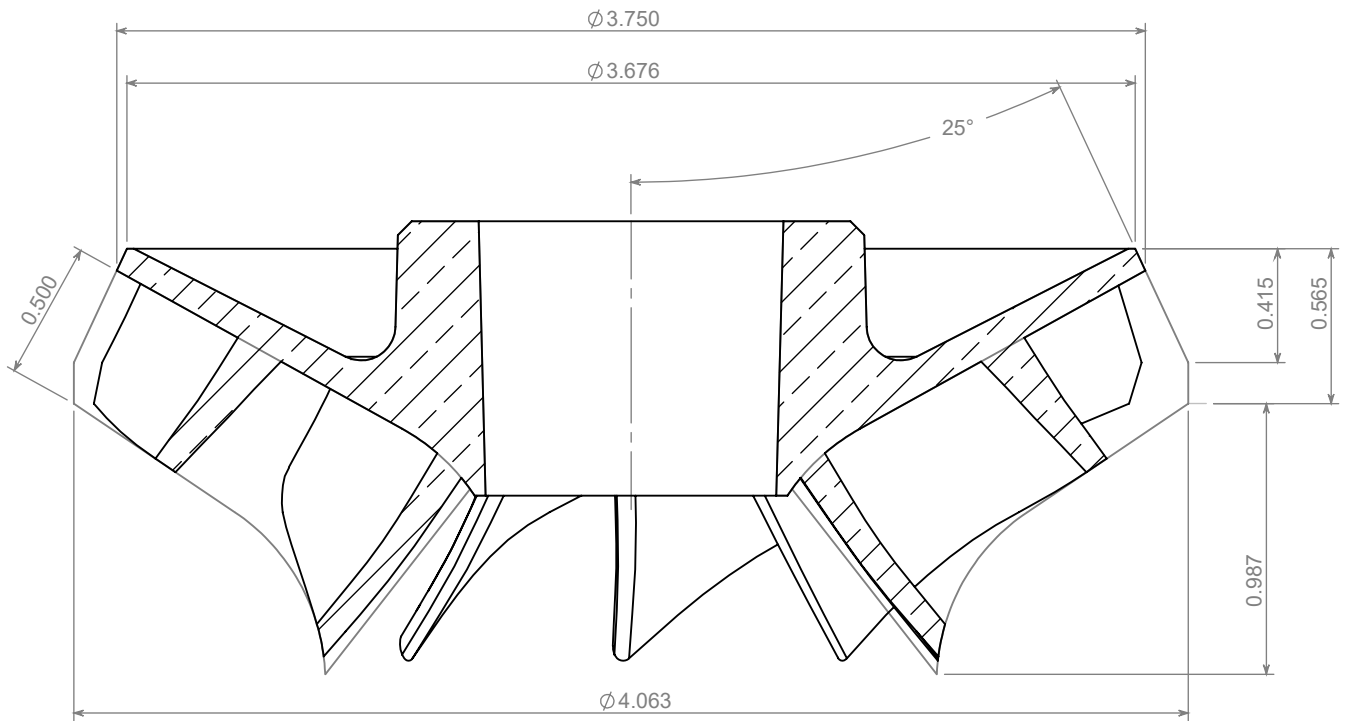


FOR 0.875" SHAFT

NAME	PART No.	MATERIAL
Open Impeller M5LO.375	M5105B03	CDA836 Pb RED BRASS
Open Impeller M5LO.425	M5105A03	CDA836 Pb RED BRASS
Open Impeller M5MO.430	M5107A03	CDA836 Pb RED BRASS
Open Impeller M5HO.500	M5108A03	CDA836 Pb RED BRASS



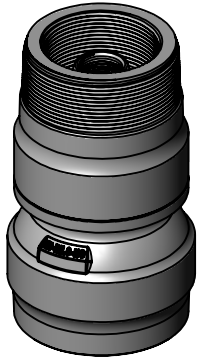
**BOMBAS KLASSEN S.A DE C.V**  
 THIS DRAWING IS THE EXCLUSIVE PROPERTY OF  
**BOMBAS KLASSEN S.A DE C.V**

NO USE WHATSOEVER OF THE INFORMATION  
 CONTAINED HEREON MAY BE USED WITHOUT WRITTEN PERMISSION

UNLESS OTHERWISE SPECIFIED  
 DIMENSIONS ARE IN INCHES

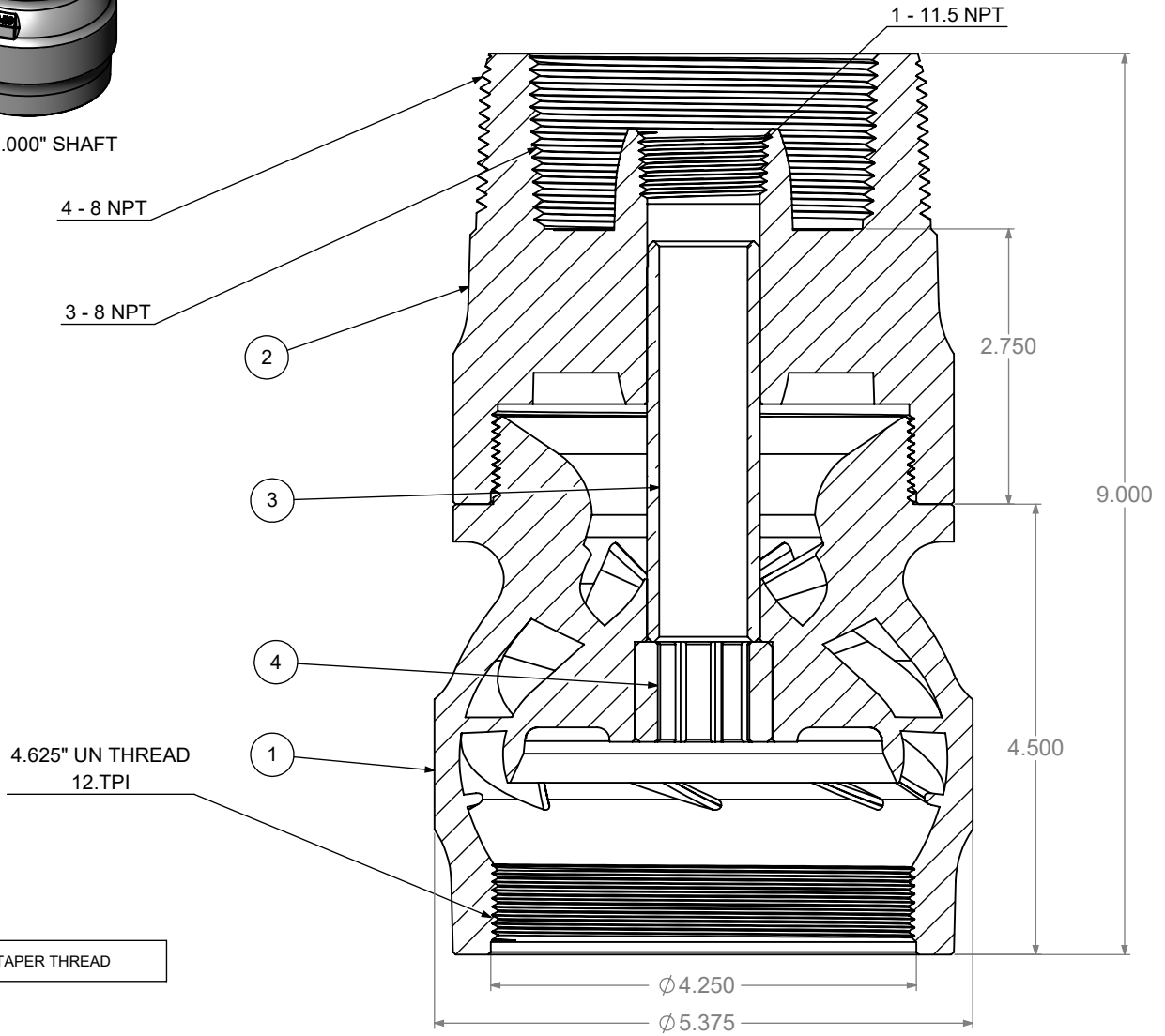
DEPARTMENT: *GENERAL*

Rev: *0.0.0* SHEET 1 OF 1



FOR 1.000" SHAFT

ASSEMBLY NAME	ASSEMBLY PART No.
Sub Column adapter w bowl/brz brg M5 3-4-TT	M522260



BILL OF MATERIALS

ITEM NO.	PART NAME	QTY	PART No.	MATERIAL
1	INTER BOWL M5YO COMBINED	1	M530401	CLASS 40 CAST IRON
2	SUBMERSIBLE DISCHARGE M5YZ 3&4-77	1	M522201	CLASS 40 CAST IRON
3	DISCHARGE BEARING 0.875 x 1.125 x 4.000	1	CT87510113	C-844 BRONZE
4	OCT RUBBER BEARING 0.875 x 1.375 x 1.000	1	CTE87540541	B72-2 NEOPRENE DURO



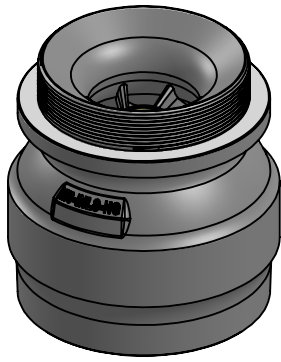
**BOMBAS KLASSEN S.A DE C.V**  
THIS DRAWING IS THE EXCLUSIVE PROPERTY OF  
**BOMBAS KLASSEN S.A DE C.V**

NO USE WHATSOEVER OF THE INFORMATION  
CONTAINED HEREON MAY BE USED WITHOUT WRITTEN PERMISSION

DEPARTMENT: *GENERAL*

UNLESS OTHERWISE SPECIFIED  
DIMENSIONS ARE IN INCHES

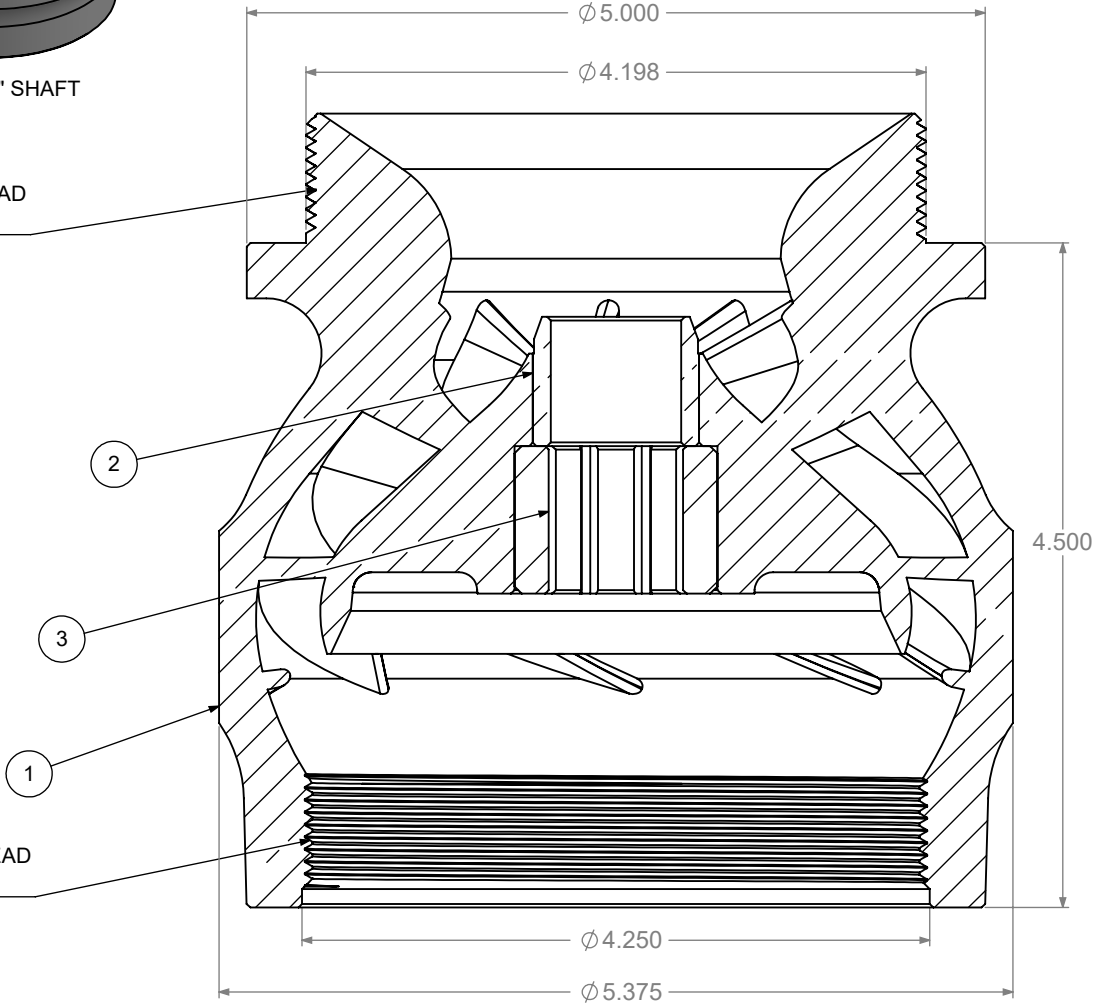
Rev: *0.0.0* SHEET 1 OF 1



FOR 0.875" SHAFT

ASSEMBLY NAME	ASSEMBLY PART No.
Closed Bowl w/ dual brgs M5YO	M530460

4.200" UN THREAD  
12-TPI



4.200" UN THREAD  
12-TPI

BILL OF MATERIALS

ITEM NO.	PART NAME	QTY	PART No.	MATERIAL
1	INTER BOWL M5YO COMBINED	1	M530401	CLASS 40 CAST IRON
2	BOWL BRONZE BEARING 0.875 x 1.125 x 0.875	1	CTE100011013	C-44 BRONZE
3	OCT RUBBER BEARING 0.875 x 1.375 x 1.000	1	CTE87540541	B72-2 NEOPRENE DURO



**BOMBAS KLASSEN S.A DE C.V**  
THIS DRAWING IS THE EXCLUSIVE PROPERTY OF  
**BOMBAS KLASSEN S.A DE C.V**

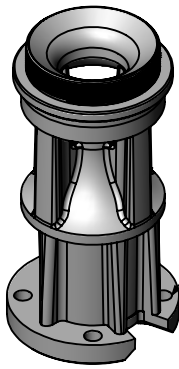
NO USE WHATSOEVER OF THE INFORMATION  
CONTAINED HEREON MAY BE USED WITHOUT WRITTEN PERMISSION

DEPARTMENT: *GENERAL*

UNLESS OTHERWISE SPECIFIED  
DIMENSIONS ARE IN INCHES

Rev: *0.0.0* SHEET 1 OF 1

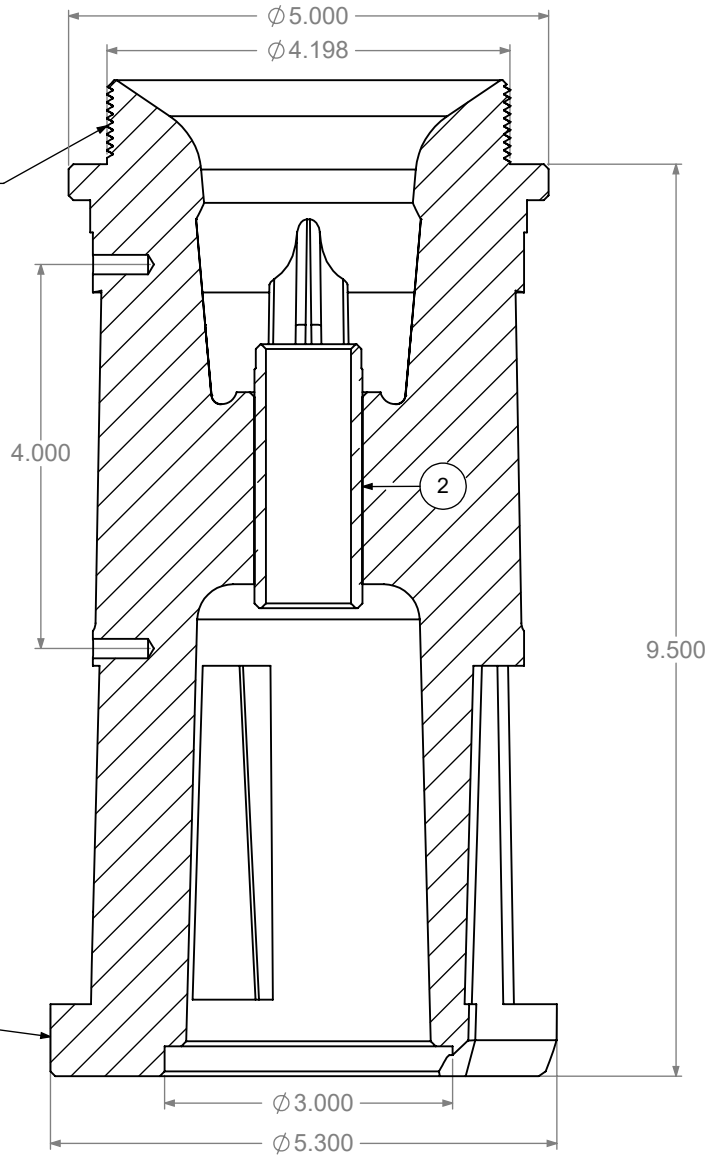
ASSEMBLY NAME	ASSEMBLY PART No.
Suction case w/brz bearing M5YO open nema 6 CI	M543260



4x - 9/16 DRILL  
ON Ø 4.375"

FOR 0.875" SHAFT

4.200" UN THREAD  
12-TTP



BILL OF MATERIALS

ITEM NO.	PART NAME	QTY	PART No.	MATERIAL
1	SUCTION CASE M5YO OPEN NEMA 6	1	M543201	CLASS 40 CAST IRON
2	SUCTION BEARING 0.875 x 1.125 x 2.500	1	CT100012113	C-844 BRONZE



**BOMBAS KLASSEN S.A DE C.V**  
THIS DRAWING IS THE EXCLUSIVE PROPERTY OF  
**BOMBAS KLASSEN S.A DE C.V**

NO USE WHATSOEVER OF THE INFORMATION  
CONTAINED HEREON MAY BE USED WITHOUT WRITTEN PERMISSION

DEPARTMENT: *GENERAL*

UNLESS OTHERWISE SPECIFIED  
DIMENSIONS ARE IN INCHES

Rev: *0.0.0* SHEET 1 OF 1