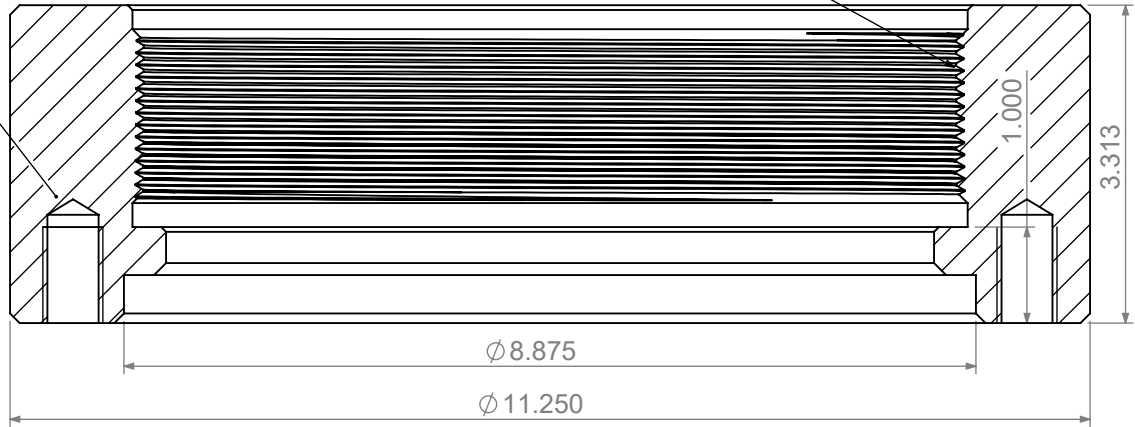


ASSEMBLY NAME	ASSEMBLY PART No.	MATERIAL
Column adapter LR11YC 8-ST	LR1151101	CLASS 40 CAST IRON
Column adapter LR11YC 10-ST	LR1151301	CLASS 40 CAST IRON
Column adapter LR11YC 8-TT	LR1151201	CLASS 40 CAST IRON
Column adapter LR11YC 10-TT	LR1151401	CLASS 40 CAST IRON

16x - 5/8-11 NC  
ON Ø 9.938"

8, 10 UN THREAD



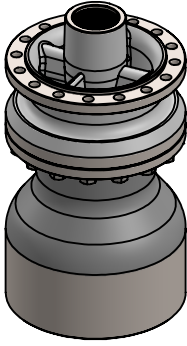
**BOMBAS KLASSEN S.A DE C.V**  
THIS DRAWING IS THE EXCLUSIVE PROPERTY OF  
**BOMBAS KLASSEN S.A DE C.V**

NO USE WHATSOEVER OF THE INFORMATION  
CONTAINED HEREON MAY BE USED WITHOUT WRITTEN PERMISSION

DEPARTMENT: *GENERAL*

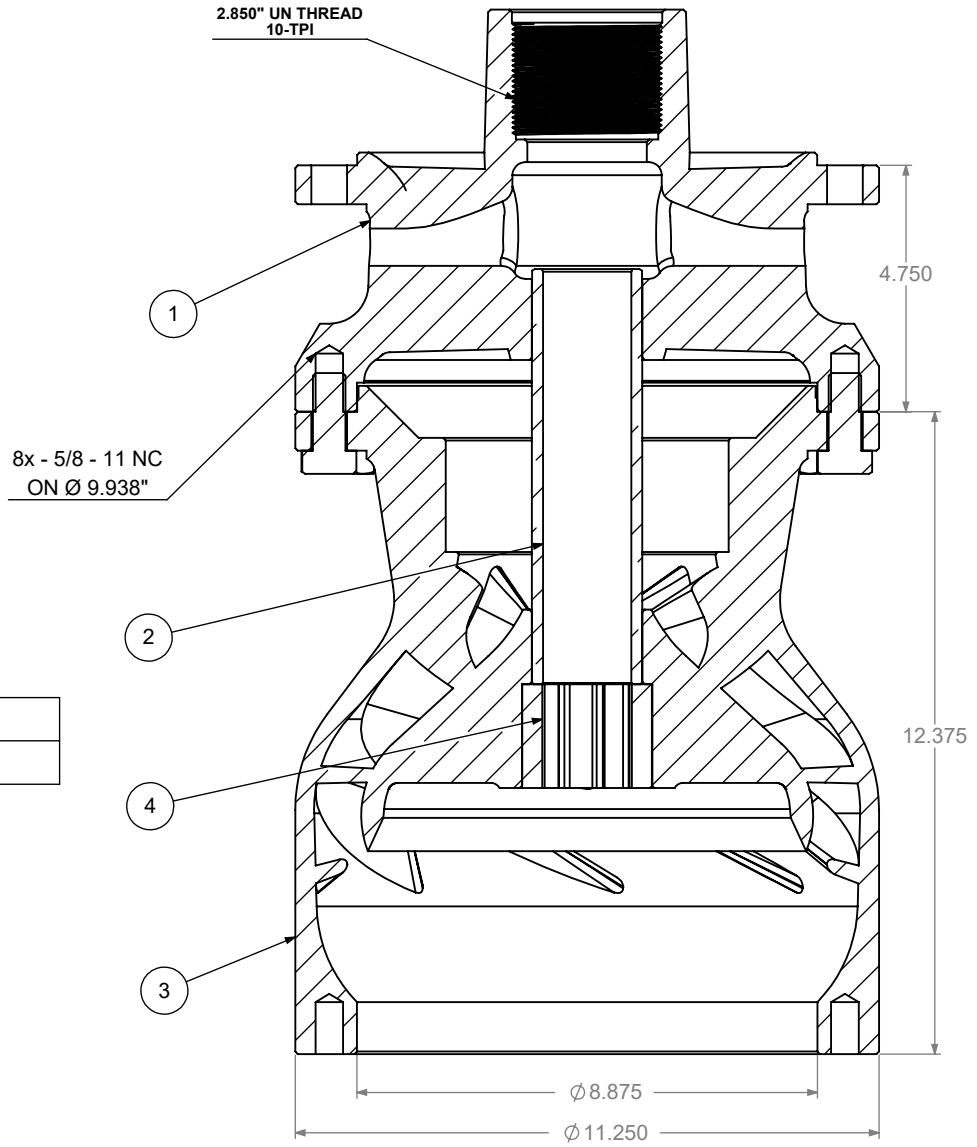
UNLESS OTHERWISE SPECIFIED  
DIMENSIONS ARE IN INCHES

Rev: *0.0.0* SHEET 1 OF 1



FOR 1.688" SHAFT

ASSEMBLY NAME	ASSEMBLY PART No.
Discharge w/ enc. bowl and dual brgs LR11 2.5-LH	LR1122060
Discharge w/ enc. bowl and dual brgs LR11 2.5-RH	LR1122160



RH = RIGHT HAND
LH = LEFT HAND

**BILL OF MATERIALS**

ITEM NO.	PART NAME	QTY	PART No.	MATERIAL
1	DISCHARGE CASE LR11YC 2.5-LH	1	LR1120301	CLASS 40 CAST IRON
2	DISCHARGE BEARING 1.688 x 2.125 x 8.000	1	CT168810213	C-844 BRONZE
3	CLOSED BOWL LR11YC COMBINED	1	LR1131401	CLASS 40 CAST IRON
4	OCT RUBBER BEARING 1.688 x 2.500 x 2.000	1	CTE168840441	B-72-2 NEOPRENE DURO 70A
5	HEX BOLT 0.625 x 1.500 x 11-NC	16	GRAL62520151	GRADE 5

**OPTIONAL**

ITEM NO.	PART NAME	PART No.	MATERIAL
1	DISCHARGE CASE LR11YC 2.5-LH	LR1120301	CLASS 40 CAST IRON



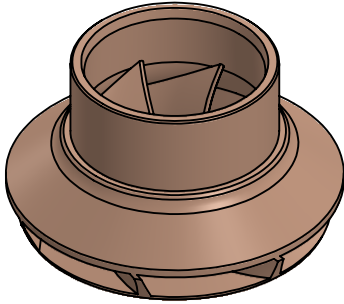
**BOMBAS KLASSEN S.A DE C.V**  
THIS DRAWING IS THE EXCLUSIVE PROPERTY OF  
**BOMBAS KLASSEN S.A DE C.V**

NO USE WHATSOEVER OF THE INFORMATION  
CONTAINED HEREON MAY BE USED WITHOUT WRITTEN PERMISSION

DEPARTMENT: *GENERAL*

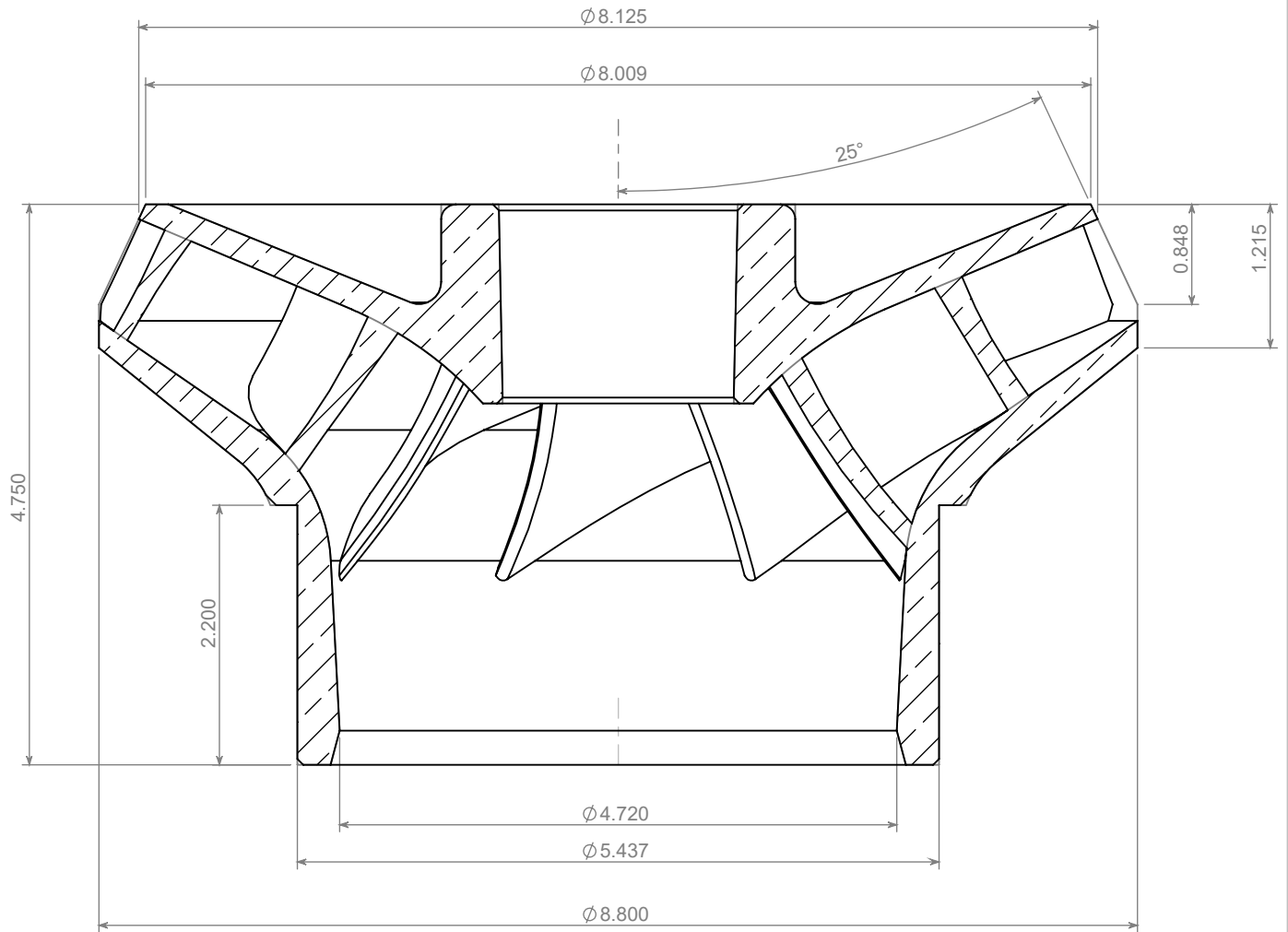
UNLESS OTHERWISE SPECIFIED  
DIMENSIONS ARE IN INCHES

Rev: *0.0.0* SHEET 1 OF 1



FOR 1.688" SHAFT

NAME	PART No.	MATERIAL
Closed Impeller LR11LC	LR1111503	CDA836 Pb RED BRASS
Closed Impeller LR11MC	LR1111703	CDA836 Pb RED BRASS



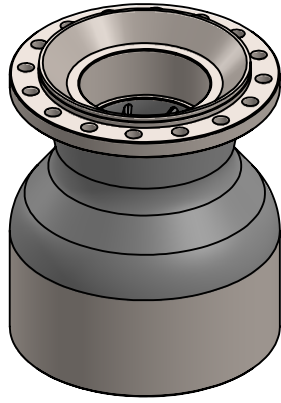
**BOMBAS KLASSEN S.A DE C.V**  
 THIS DRAWING IS THE EXCLUSIVE PROPERTY OF  
**BOMBAS KLASSEN S.A DE C.V**

NO USE WHATSOEVER OF THE INFORMATION  
 CONTAINED HEREON MAY BE USED WITHOUT WRITTEN PERMISSION

UNLESS OTHERWISE SPECIFIED  
 DIMENSIONS ARE IN INCHES

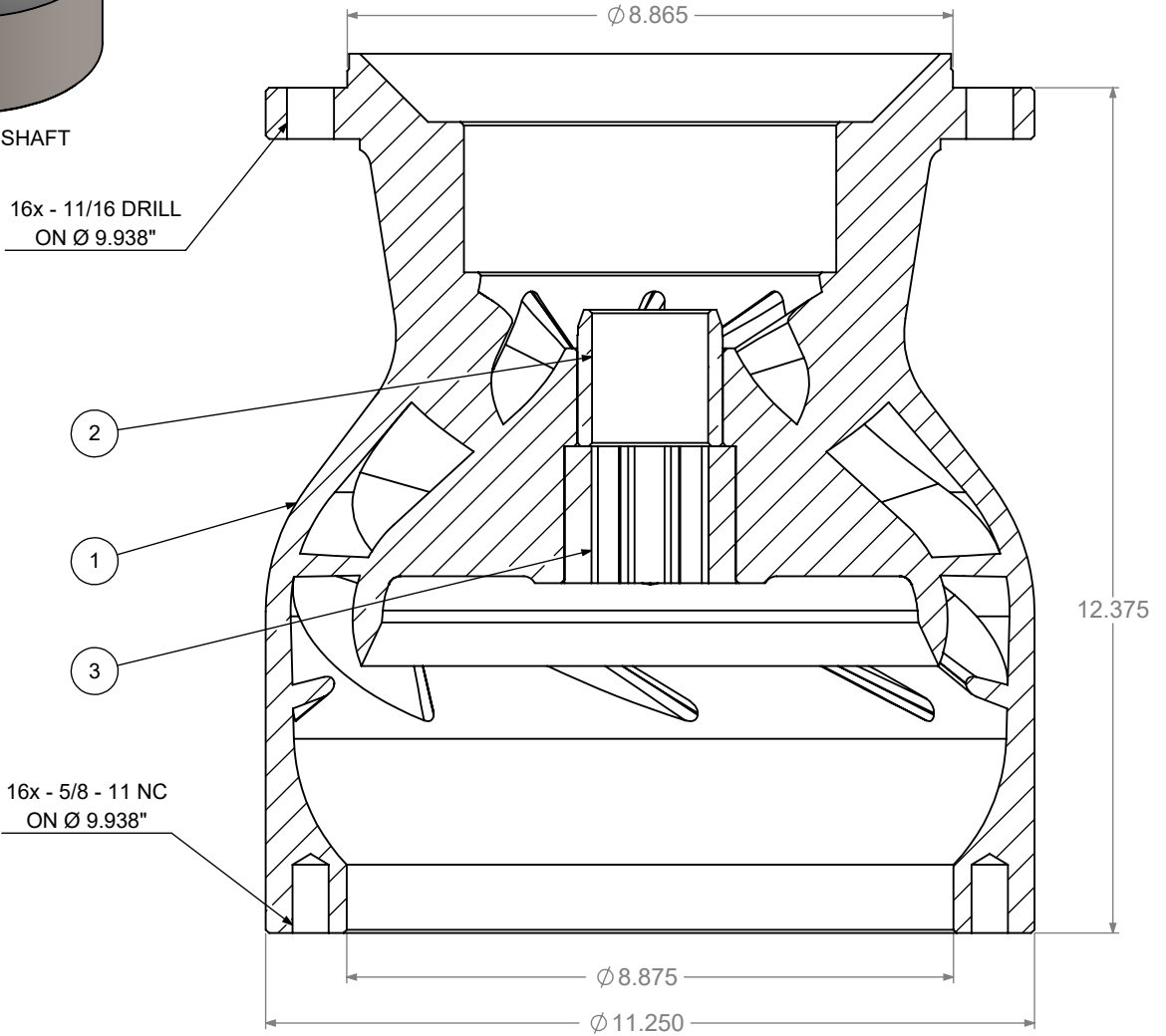
DEPARTMENT: *GENERAL*

Rev: *0.0.0* SHEET 1 OF 1



FOR 1.688" SHAFT

ASSEMBLY NAME	ASSEMBLY PART No.
Closed Bowl w/ dual brgs LR11YC	LR1131460



**BILL OF MATERIALS**

ITEM NO.	PART NAME	QTY	PART No.	MATERIAL
1	CLOSED BOWL LR11YC COMBINED	1	LR1131401	CLASS 40 CAST IRON
2	BOWL BRONZE BEARING 1.688 x 2.125 x 2.000	1	CT168811413	C-844 BRONZE
3	OCT RUBBER BEARING 1.688 x 2.500 x 2.000	1	CTE168840441	B-72-2 NEOPRENE DURO 70A



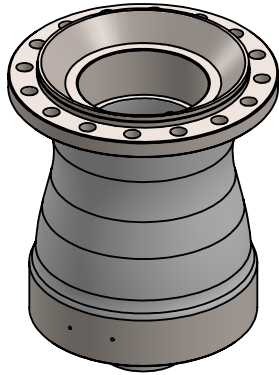
**BOMBAS KLASSEN S.A DE C.V**  
 THIS DRAWING IS THE EXCLUSIVE PROPERTY OF  
**BOMBAS KLASSEN S.A DE C.V**

NO USE WHATSOEVER OF THE INFORMATION  
 CONTAINED HEREON MAY BE USED WITHOUT WRITTEN PERMISSION

DEPARTMENT: *GENERAL*

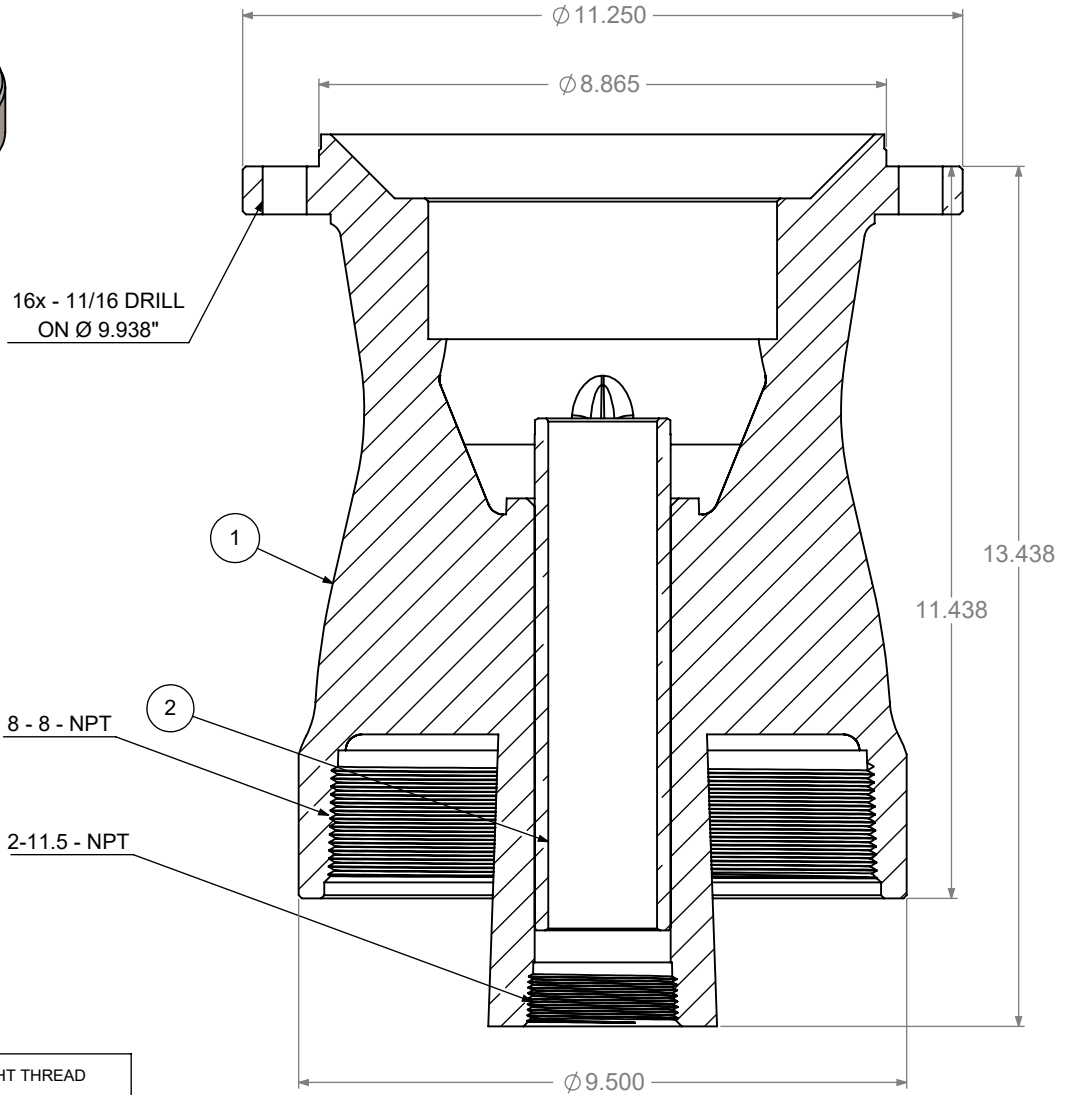
UNLESS OTHERWISE SPECIFIED  
 DIMENSIONS ARE IN INCHES

Rev: *0.0.0* SHEET 1 OF 1



FOR 1.688" SHAFT

ASSEMBLY NAME	ASSEMBLY PART No.
Suction case w/brz bearing LR11YC closed 8-TT	LR1141860
Suction case w/brz bearing LR11YC closed 8-ST	LR1141760



ST = STRAIGHT THREAD
TT = TAPER THREAD

**BILL OF MATERIALS**

ITEM NO.	PART NAME	QTY	PART No.	MATERIAL
1	SUCTION CASE LR11YC 8-TT	1	LR1141801	CLASS 40 CAST IRON
2	DISCHARGE BEARING 1.688 x 2.125 x 8.000	1	CT168810213	C-844 BRONZE

**OPTIONAL**

ITEM NO.	PART NAME	PART No.	MATERIAL
1	SUCTION CASE LR11YC 8-ST	LR1141701	CLASS 40 CAST IRON



**BOMBAS KLASSEN S.A DE C.V**  
 THIS DRAWING IS THE EXCLUSIVE PROPERTY OF  
**BOMBAS KLASSEN S.A DE C.V**

NO USE WHATSOEVER OF THE INFORMATION  
 CONTAINED HEREON MAY BE USED WITHOUT WRITTEN PERMISSION

DEPARTMENT: *GENERAL*

UNLESS OTHERWISE SPECIFIED  
 DIMENSIONS ARE IN INCHES

Rev: *0.0.0* SHEET 1 OF 1