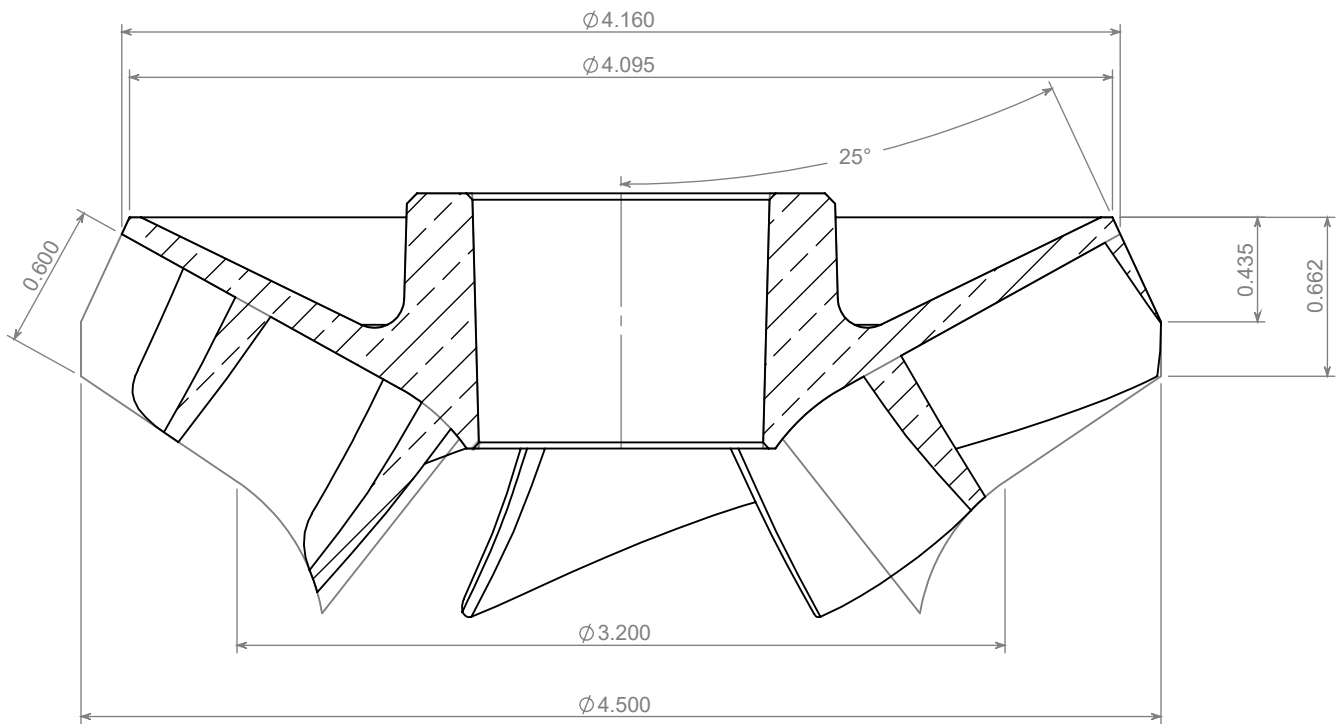


FOR 1.000" SHAFT

NAME	PART No.	MATERIAL
Open Impeller L6LO 0.375	L6105C03	CDA836 Pb RED BRASS
Open Impeller L6LO 0.475	L6105B03	CDA836 Pb RED BRASS
Open Impeller L6LO 0.600	L6105A03	CDA836 Pb RED BRASS
Open Impeller L6MO 0.560	L6107A03	CDA836 Pb RED BRASS
Open Impeller L6HO 0.550	L6108A03	CDA836 Pb RED BRASS



**BOMBAS KLASSEN S.A DE C.V**  
 THIS DRAWING IS THE EXCLUSIVE PROPERTY OF  
**BOMBAS KLASSEN S.A DE C.V**

NO USE WHATSOEVER OF THE INFORMATION  
 CONTAINED HEREON MAY BE USED WITHOUT WRITTEN PERMISSION

UNLESS OTHERWISE SPECIFIED  
 DIMENSIONS ARE IN INCHES

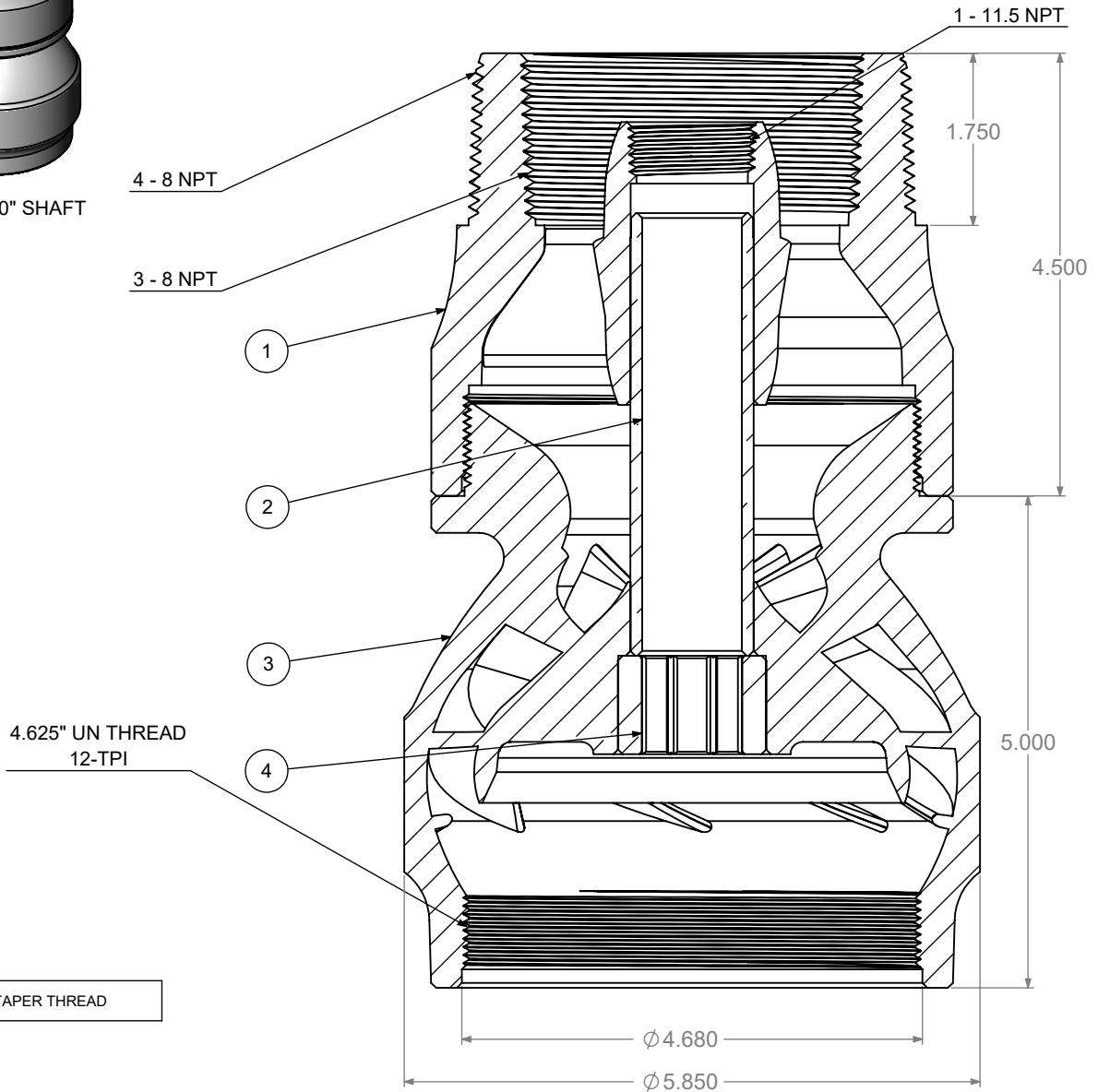
DEPARTMENT: *GENERAL*

Rev: *0.0.0* SHEET 1 OF 1



FOR 1.000" SHAFT

ASSEMBLY NAME	ASSEMBLY PART No.
Sub Column adapter w bowl/brz brg L6 3-4-TT	L622260



TT = TAPER THREAD

BILL OF MATERIALS

ITEM NO.	PART NAME	QTY	PART No.	MATERIAL
1	SUBMERSIBLE DISCHARGE LYZ NPT 3.000+4.000	1	L622201	CLASS 40 CAST IRON
2	INTER BRONZE BEARING 1.000 x 1.250 x 1.000	1	CTE100011013	C-844 BRONZE
3	COMBINED INTER BOWL L6YO OPEN	1	L630401	CLASS 40 CAST IRON
4	OCT RUBBER BEARING 1.000 x 1.500 x 1.000	1	CTE100040641	CLASS 40 CAST IRON



**BOMBAS KLASSEN S.A DE C.V.**  
THIS DRAWING IS THE EXCLUSIVE PROPERTY OF  
**BOMBAS KLASSEN S.A DE C.V.**

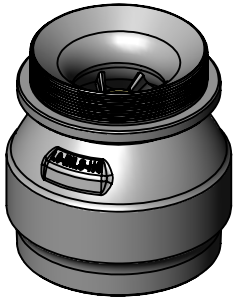
NO USE WHATSOEVER OF THE INFORMATION  
CONTAINED HEREON MAY BE USED WITHOUT WRITTEN PERMISSION

DEPARTMENT: *GENERAL*

UNLESS OTHERWISE SPECIFIED  
DIMENSIONS ARE IN INCHES

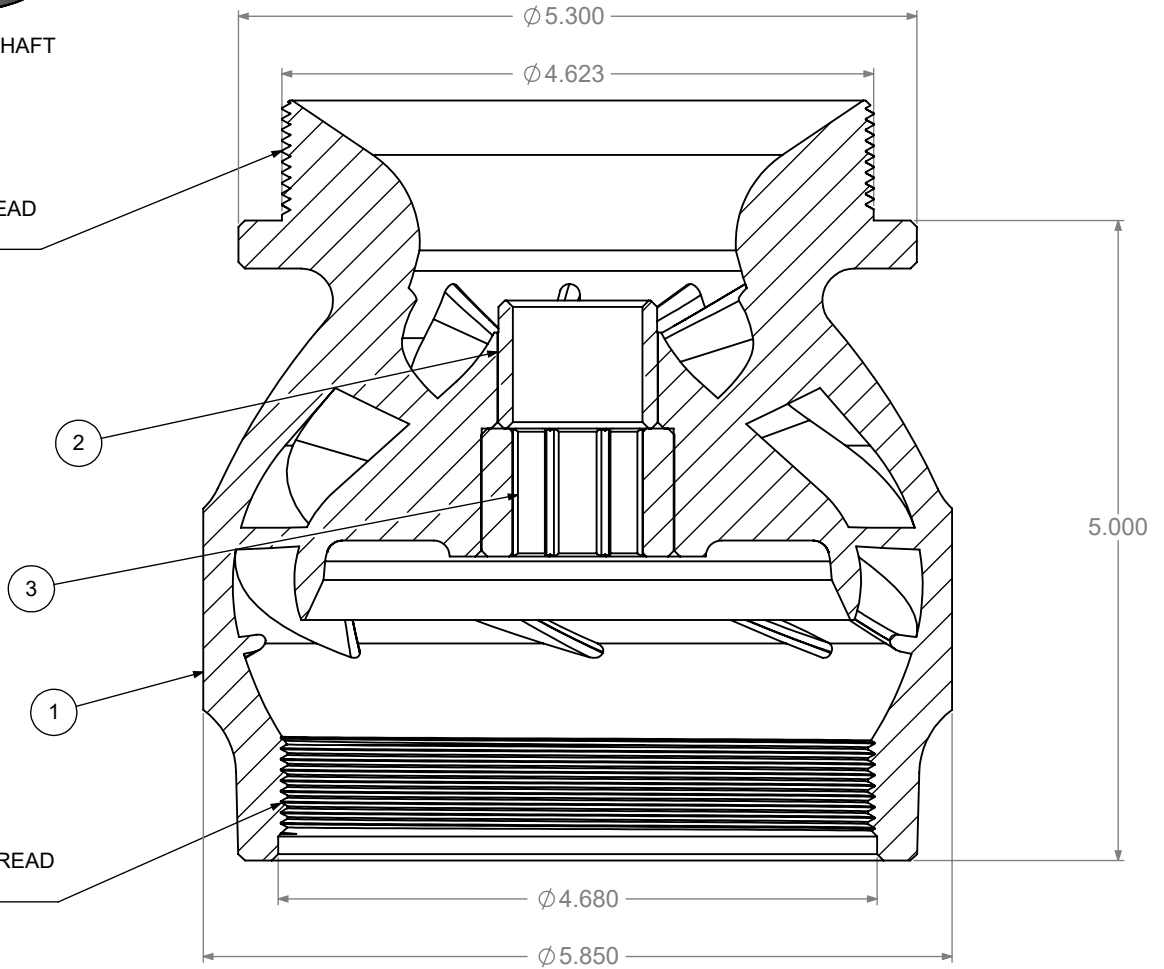
Rev: *0.0.0* SHEET 1 OF 1

ASSEMBLY NAME	ASSEMBLY PART No.
Closed Bowl w/ dual brgs L6YO	L630460



FOR 1.000" SHAFT

4.625" UN THREAD  
12-TPI



4.625" UN THREAD  
12-TPI

BILL OF MATERIALS

ITEM NO.	PART NAME	QTY	PART No.	MATERIAL
1	COMBINED INTER BOWL L6YO	1	L630401	CLASS 40 CAST IRON
2	INTER BRONZE BEARING 1.000 x 1.250 x 1.000	1	CTE100011013	C-44 BRONZE
3	OCT RUBBER BEARING 1.000 x 1.500 x 1.000	1	CTE100040641	B-72-2 NEOPRENE DURO 70A



**BOMBAS KLASSEN S.A DE C.V**  
THIS DRAWING IS THE EXCLUSIVE PROPERTY OF  
**BOMBAS KLASSEN S.A DE C.V**

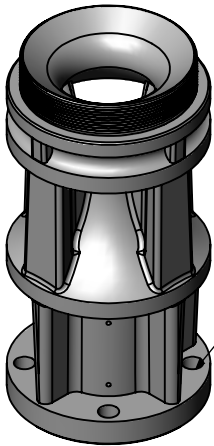
NO USE WHATSOEVER OF THE INFORMATION  
CONTAINED HEREON MAY BE USED WITHOUT WRITTEN PERMISSION

DEPARTMENT: *GENERAL*

UNLESS OTHERWISE SPECIFIED  
DIMENSIONS ARE IN INCHES

Rev: *0.0.0* SHEET 1 OF 1

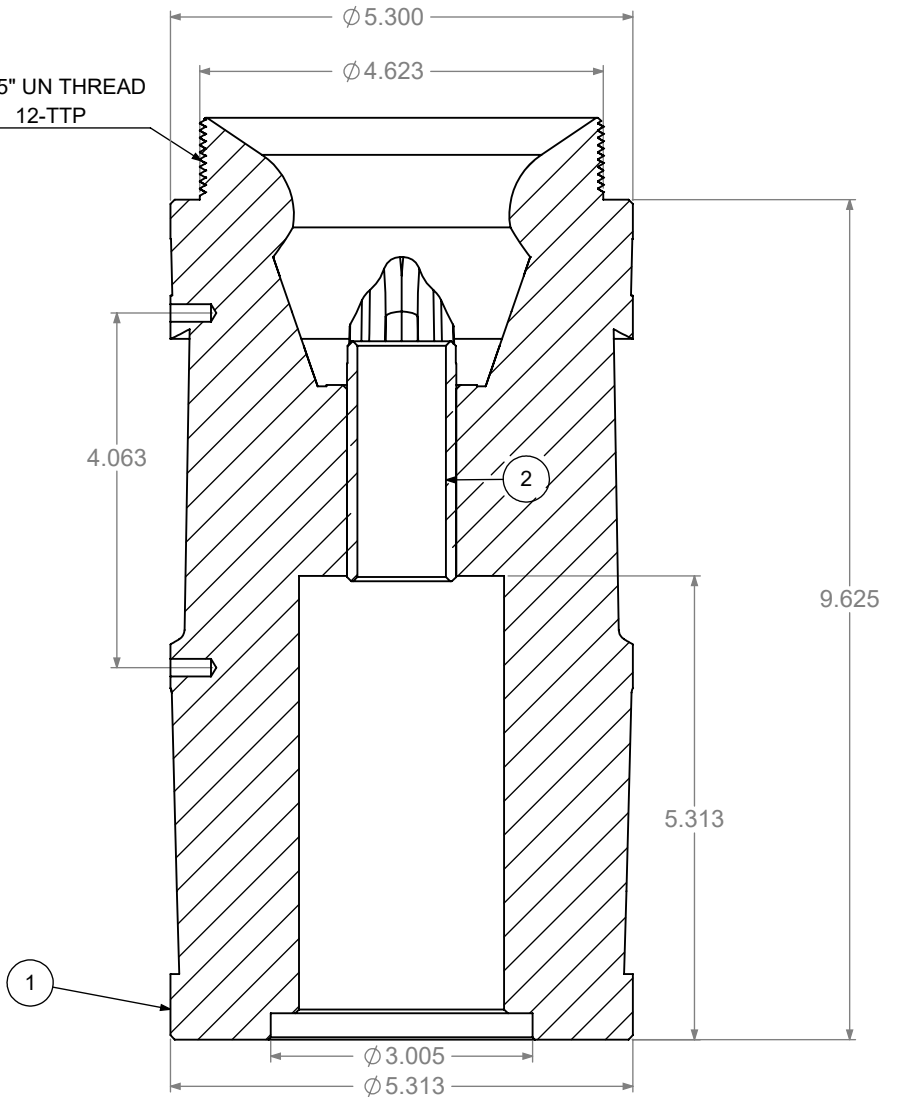
ASSEMBLY NAME	ASSEMBLY PART No.
Suction case w/brz bearing L6YO open nema 6	L643260



FOR 1.000" SHAFT

4x - 9/16 DRILL  
ON Ø 4.375"

4.625" UN THREAD  
12-TTP



BILL OF MATERIALS

ITEM NO.	PART NAME	QTY	PART No.	MATERIAL
1	SUCTION CASE L6YO NEMA 6	1	L644601	CLASS 40 CAST IRON
2	SUCTION BRONZE BEARING 1.000 x 1.250 x 2.750	1	CT100012113	C-844 BRONZE



**BOMBAS KLASSEN S.A DE C.V**  
THIS DRAWING IS THE EXCLUSIVE PROPERTY OF  
**BOMBAS KLASSEN S.A DE C.V**

NO USE WHATSOEVER OF THE INFORMATION  
CONTAINED HEREON MAY BE USED WITHOUT WRITTEN PERMISSION

DEPARTMENT: *GENERAL*

UNLESS OTHERWISE SPECIFIED  
DIMENSIONS ARE IN INCHES

Rev: *0.0.0* SHEET 1 OF 1