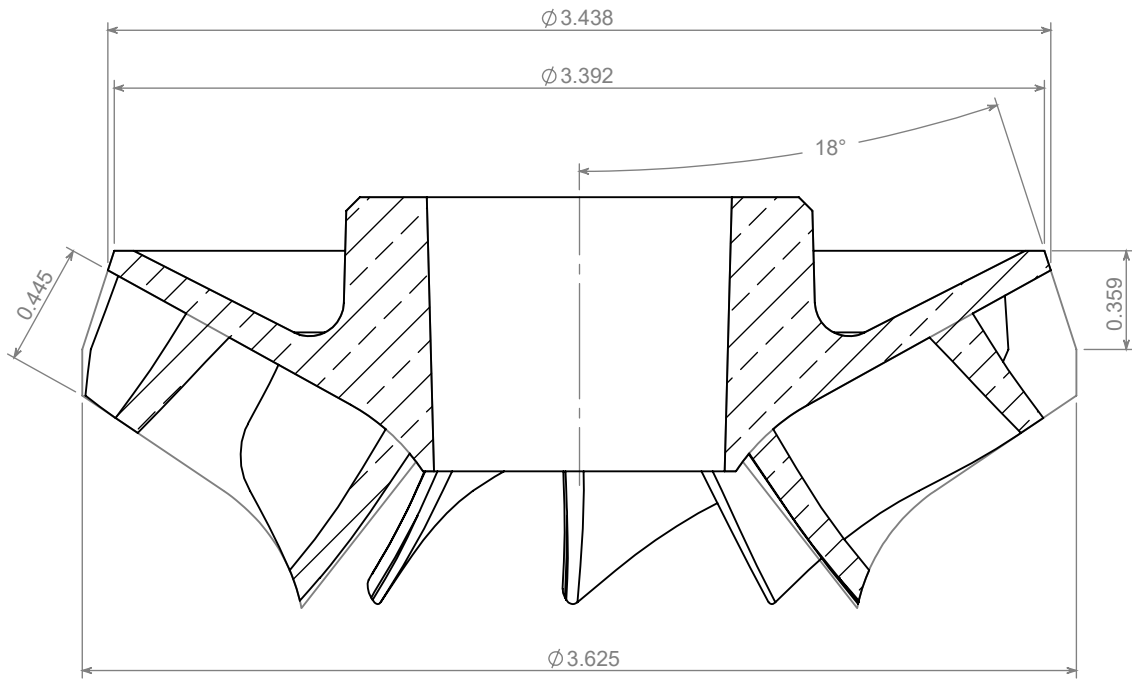


FOR 0.875" SHAFT

NAME	PART No.	MATERIAL
Closed Impeller L5LO.350	L5105A03	CDA836 Pb RED BRASS
Closed Impeller L5LO.425	L5105B03	CDA836 Pb RED BRASS
Closed Impeller L5MO.445	L5107A03	CDA836 Pb RED BRASS
Closed Impeller L5HO.445	L5108A03	CDA836 Pb RED BRASS



BOMBAS KLASSEN S.A DE C.V
 THIS DRAWING IS THE EXCLUSIVE PROPERTY OF
BOMBAS KLASSEN S.A DE C.V

NO USE WHATSOEVER OF THE INFORMATION
 CONTAINED HEREON MAY BE USED WITHOUT WRITTEN PERMISSION

DEPARTMENT: *GENERAL*

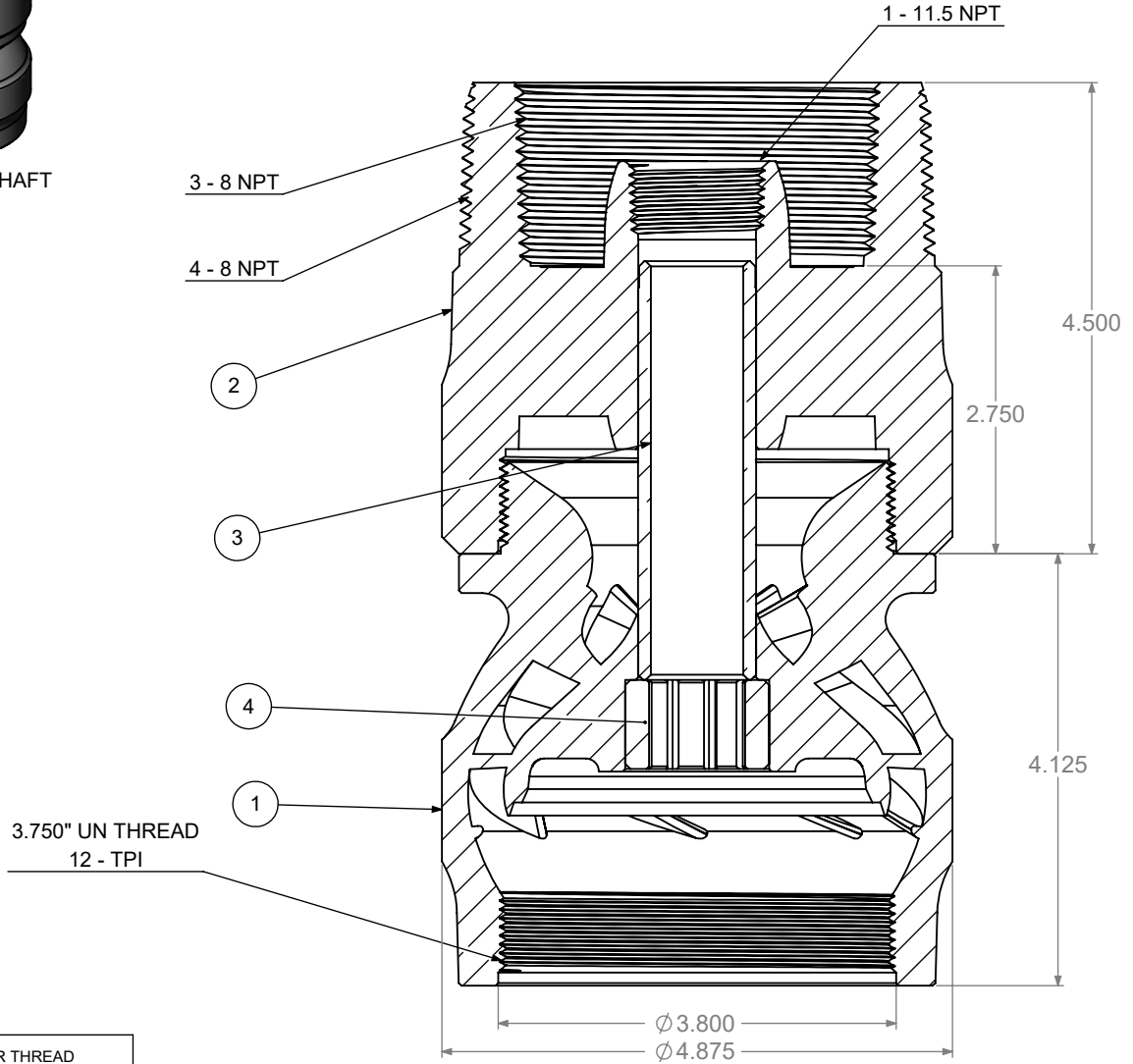
UNLESS OTHERWISE SPECIFIED
 DIMENSIONS ARE IN INCHES

Rev: *0.0.0* SHEET 1 OF 1



FOR 0.875" SHAFT

ASSEMBLY NAME	ASSEMBLY PART No.
Sub Column adapter w bowl/brz brg L5 3-4-TT	L522260



TT = TAPER THREAD

BILL OF MATERIALS

ITEM NO.	PART NAME	QTY	PART No.	MATERIAL
1	INTER BOWL L5YO COMBINED	1	L530401	CLASS 40 CAST IRON
2	SUBMERSIBLE DISCHARGE L5YZ 3&4-TT	1	L522201	CLASS 40 CAST IRON
3	DISCHARGE BEARING 0.875 x 1.125 x 4.000	1	CT87510113	C-844 BRONZE
4	OCT RUBBER BEARING 0.875 x x 1.375 x 0.850	1	CTE87540641	B-72-2 NEOPRENE DURO 70A



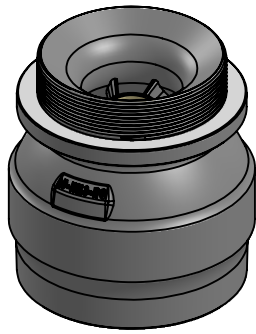
BOMBAS KLASSEN S.A DE C.V
THIS DRAWING IS THE EXCLUSIVE PROPERTY OF
BOMBAS KLASSEN S.A DE C.V

NO USE WHATSOEVER OF THE INFORMATION
CONTAINED HEREON MAY BE USED WITHOUT WRITTEN PERMISSION

DEPARTMENT: *GENERAL*

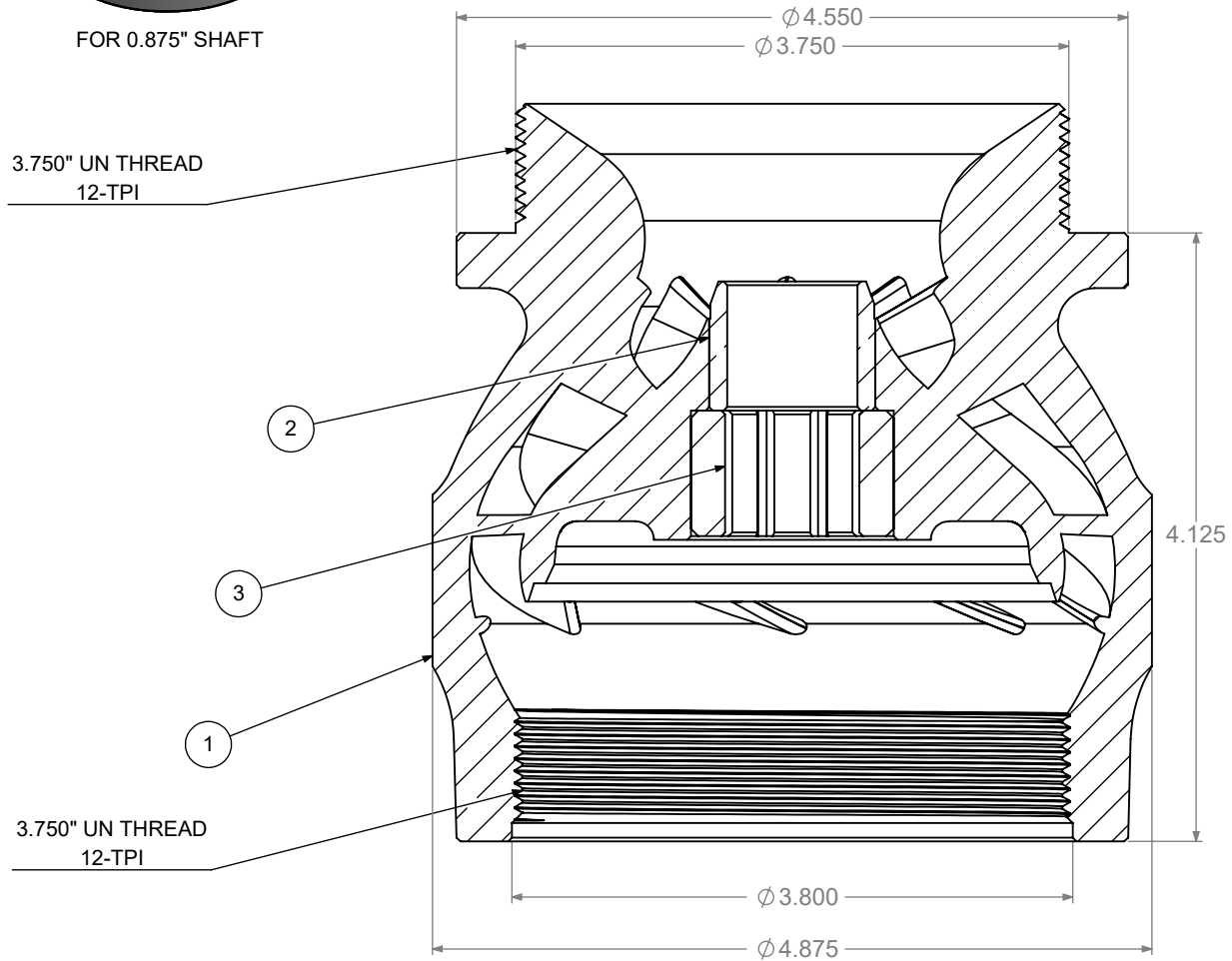
UNLESS OTHERWISE SPECIFIED
DIMENSIONS ARE IN INCHES

Rev: *0.0.0* SHEET 1 OF 1



FOR 0.875" SHAFT

ASSEMBLY NAME	ASSEMBLY PART No.
Closed Bowl w/ dual brgs L5YO	L530460



BILL OF MATERIALS

ITEM NO.	PART NAME	QTY	PART No.	MATERIAL
1	COMBINED INTER BOWL L5YO	1	L630401	CLASS 40 CAST IRON
2	BOWL BRONZE BEARING 0.875 x 1.125 x 0.875	1	CT87511113	C-44 BRONZE
3	OCT RUBBER BEARING 0.875 x x 1.375 x 0.850	1	CTE87540641	B-72-2 NEOPRENE DURO 70A



BOMBAS KLASSEN S.A DE C.V
 THIS DRAWING IS THE EXCLUSIVE PROPERTY OF
BOMBAS KLASSEN S.A DE C.V

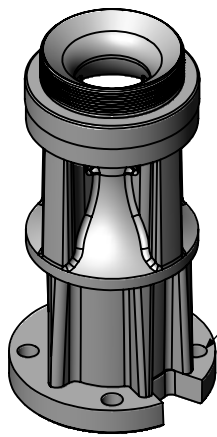
NO USE WHATSOEVER OF THE INFORMATION
 CONTAINED HEREON MAY BE USED WITHOUT WRITTEN PERMISSION

DEPARTMENT: *GENERAL*

UNLESS OTHERWISE SPECIFIED
 DIMENSIONS ARE IN INCHES

Rev: *0.0.0* SHEET 1 OF 1

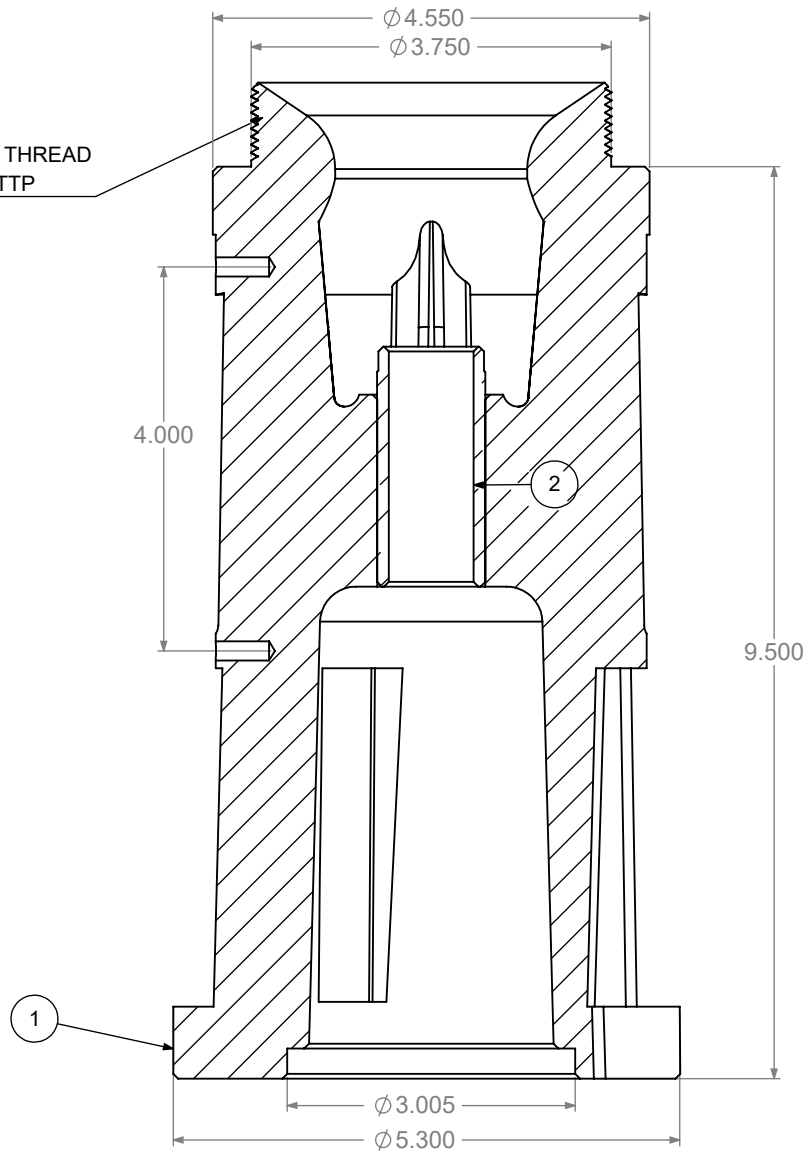
ASSEMBLY NAME	ASSEMBLY PART No.
Suction case w/brz bearing L5YO open nema 6	L543260



FOR 0.875" SHAFT

4x - 9/16 DRILL
ON Ø 4.375"

3.750 UN THREAD
12-TTP



BILL OF MATERIALS

ITEM NO.	PART NAME	QTY	PART No.	MATERIAL
1	SUCTION CASE L5YC NEMA 6	1	L543201	CLASS 40 CAST IRON
2	SUCTION BEARING 0.875 x 1.125 x 2.500	1	CT87512113	C-844 BRONZE



BOMBAS KLASSEN S.A DE C.V
THIS DRAWING IS THE EXCLUSIVE PROPERTY OF
BOMBAS KLASSEN S.A DE C.V

NO USE WHATSOEVER OF THE INFORMATION
CONTAINED HEREON MAY BE USED WITHOUT WRITTEN PERMISSION

DEPARTMENT: *GENERAL*

UNLESS OTHERWISE SPECIFIED
DIMENSIONS ARE IN INCHES

Rev: *0.0.0* SHEET 1 OF 1