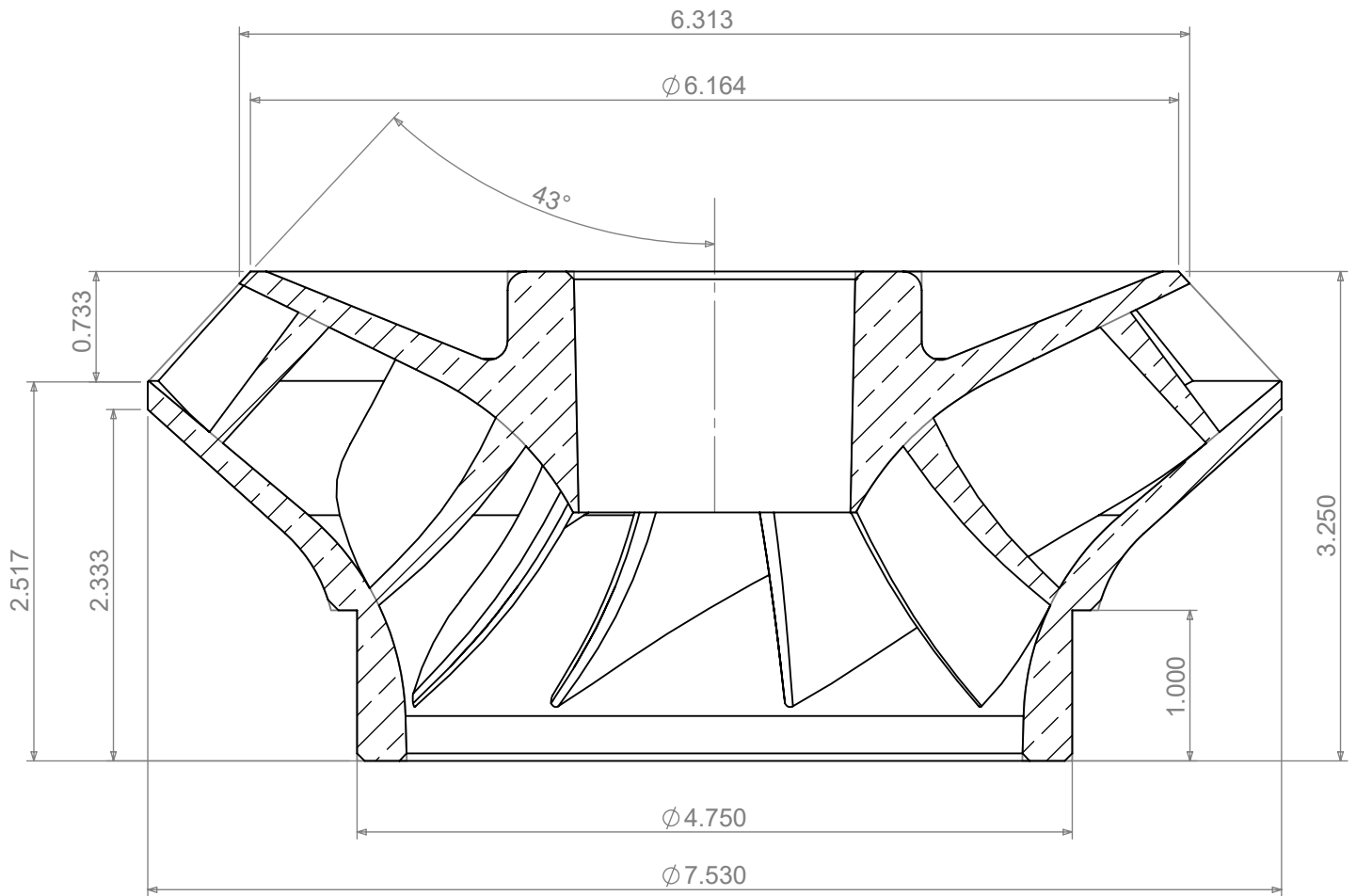


FOR 1.500" SHAFT

NAME	PART No.	MATERIAL
Closed Impeller J9HC	J911803	CDA836 Pb RED BRASS



BOMBAS KLASSEN S.A DE C.V
 THIS DRAWING IS THE EXCLUSIVE PROPERTY OF
BOMBAS KLASSEN S.A DE C.V

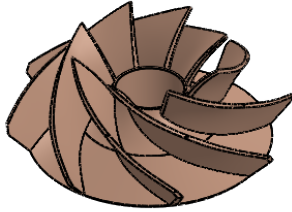
NO USE WHATSOEVER OF THE INFORMATION
 CONTAINED HEREON MAY BE USED WITHOUT WRITTEN PERMISSION

UNLESS OTHERWISE SPECIFIED
 DIMENSIONS ARE IN INCHES

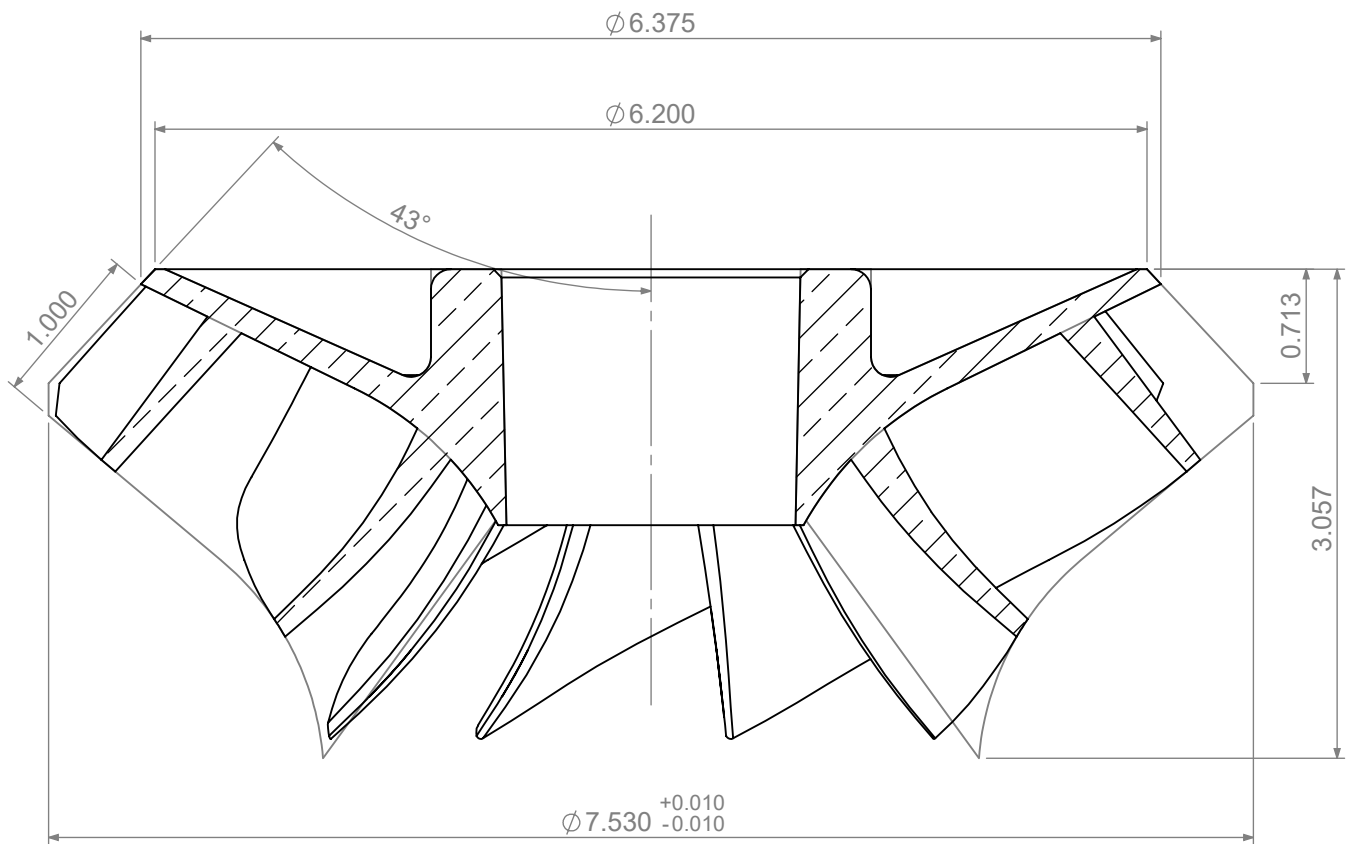
DEPARTMENT: *GENERAL*

Rev: *0.0.0* SHEET 1 OF 1

NAME	PART No.	MATERIAL
Open Impeller J9YO	J910803	CDA836 Pb RED BRASS



FOR 1.500" SHAFT



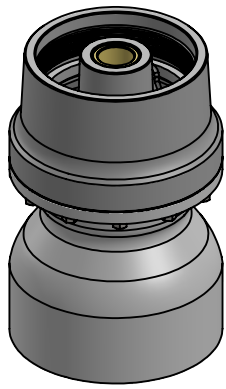
BOMBAS KLASSEN S.A DE C.V
 THIS DRAWING IS THE EXCLUSIVE PROPERTY OF
BOMBAS KLASSEN S.A DE C.V

NO USE WHATSOEVER OF THE INFORMATION
 CONTAINED HEREON MAY BE USED WITHOUT WRITTEN PERMISSION

UNLESS OTHERWISE SPECIFIED
 DIMENSIONS ARE IN INCHES

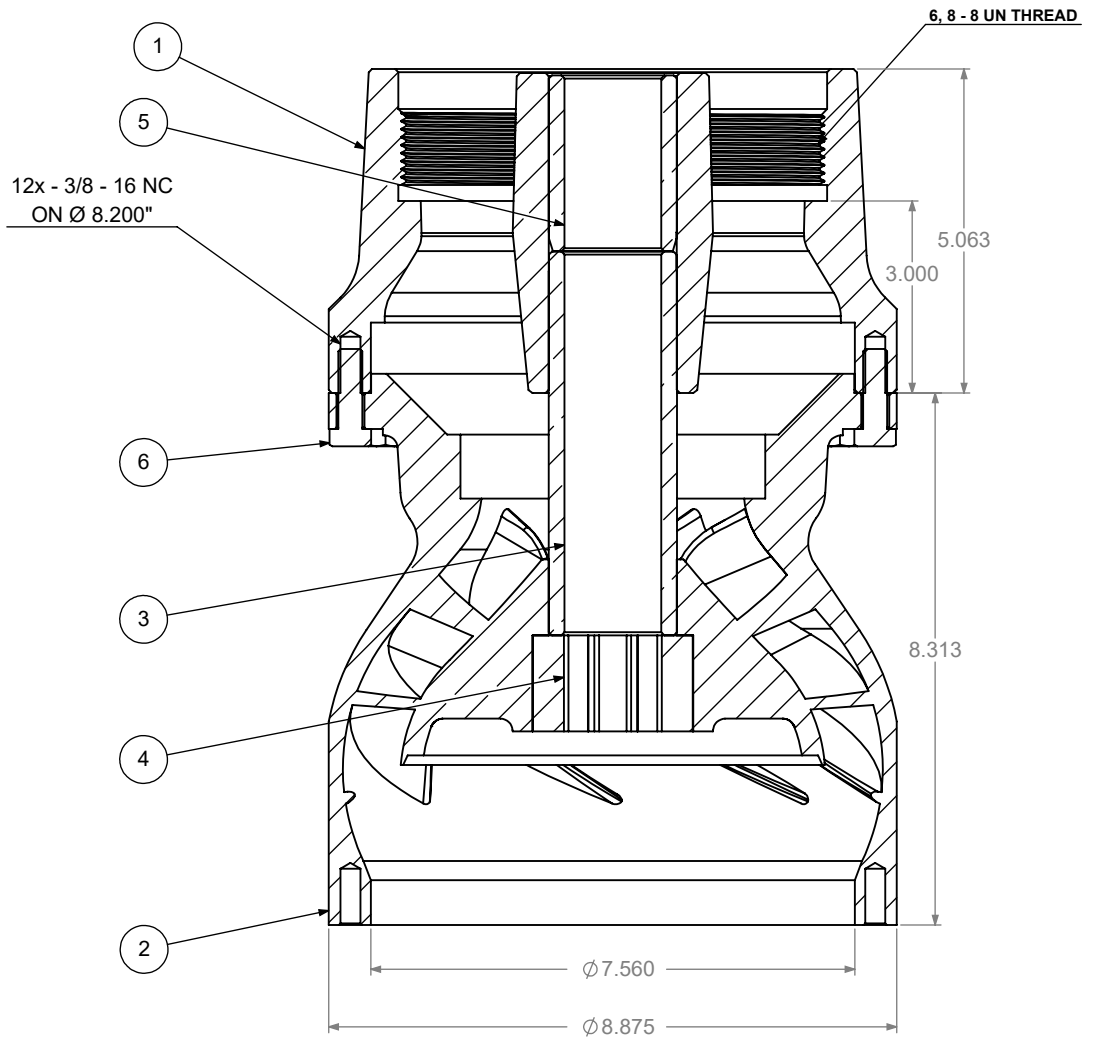
DEPARTMENT: *GENERAL*

Rev: *0.0.0* SHEET 1 OF 1



FOR 1.500" SHAFT

ASSEMBLY NAME	ASSEMBLY PART No.
WL Column adapter w bowl/brz J9 6-ST	J955960
WL Column adapter w bowl/brz J9 8-ST	J956160



BILL OF MATERIALS

ITEM NO.	PART NAME	QTY	PART No.	MATERIAL
1	WL COLUMN ADAPTER J9YC 6-ST	1	J955901	CLASS 40 CAST IRON
2	CLOSED BOWL J9YC	1	J931401	CLASS 40 CAST IRON
3	DISCHARGE BEARING 1.500 x 2.000 x 6.000	1	CT150010213	C-844 BRONZE
4	BOWL RUBBER BEARING 1.500 x 2.500 x 1.500	1	CTE150040641	B-72-2 NEOPRENE DURO 70A
5	INTER BRONZE BEARING	1	CT150011113	C-844 BRONZE
6	HEX BOLT 0.375 x 1.250	12	GRAL37520751	GRADE 5

OPTIONAL

ITEM NO.	PART NAME	PART No.	MATERIAL
1	WL COLUMN ADAPTER J9YC 8-ST	J956101	CLASS 40 CAST IRON



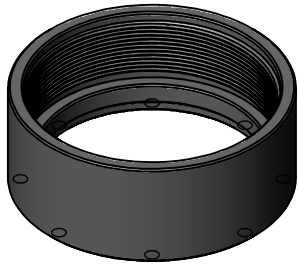
BOMBAS KLASSEN S.A DE C.V
THIS DRAWING IS THE EXCLUSIVE PROPERTY OF
BOMBAS KLASSEN S.A DE C.V

NO USE WHATSOEVER OF THE INFORMATION
CONTAINED HEREON MAY BE USED WITHOUT WRITTEN PERMISSION

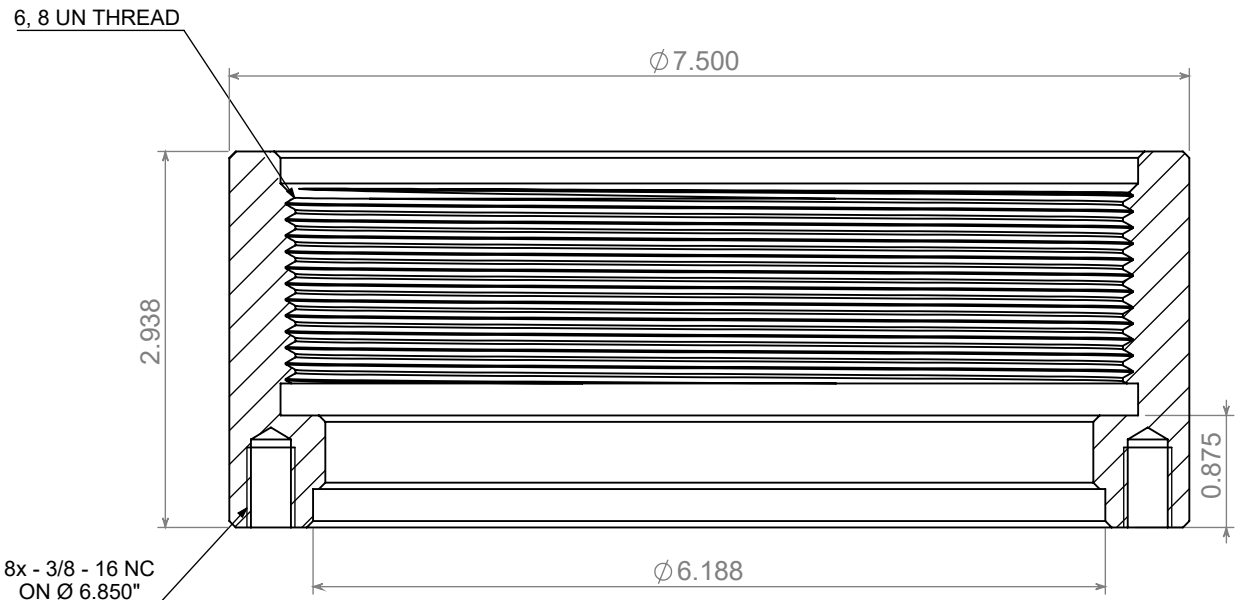
DEPARTMENT: *MACHINING*

UNLESS OTHERWISE SPECIFIED
DIMENSIONS ARE IN INCHES

Rev: *0.0.0* SHEET 1 OF 1



NAME	PART No.	MATERIAL
Column Adapter J8YC 4-ST	J850501	CLASS 40 CAST IRON
Column Adapter J8YC 6-ST	J850901	CLASS 40 CAST IRON
Column Adapter J9YC 4-TT	J850401	CLASS 40 CAST IRON
Column Adapter J9YC 6-TT	J851001	CLASS 40 CAST IRON



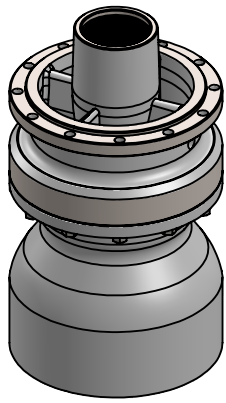
BOMBAS KLASSEN S.A DE C.V
THIS DRAWING IS THE EXCLUSIVE PROPERTY OF
BOMBAS KLASSEN S.A DE C.V

NO USE WHATSOEVER OF THE INFORMATION
CONTAINED HEREON MAY BE USED WITHOUT WRITTEN PERMISSION

DEPARTMENT: *GENERAL*

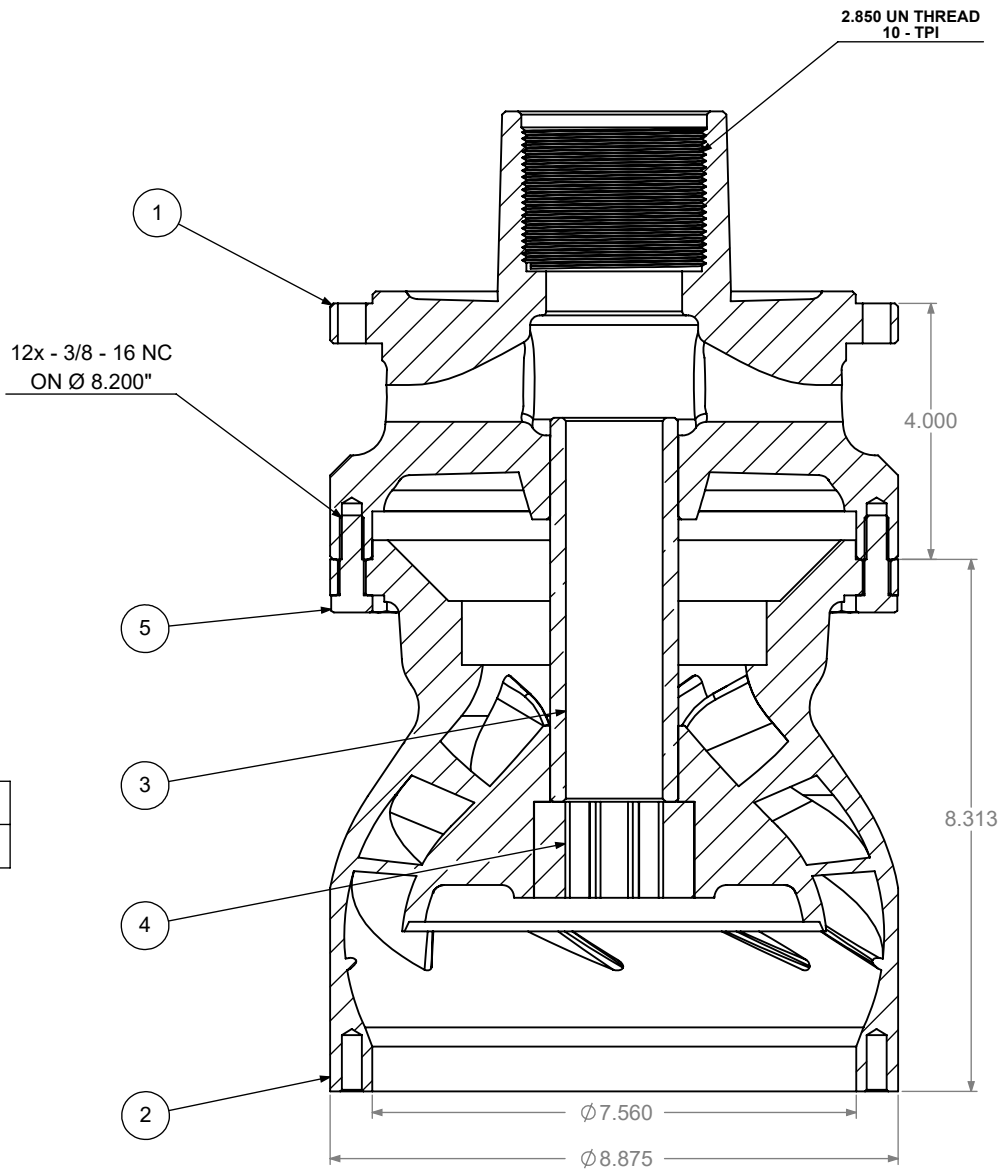
UNLESS OTHERWISE SPECIFIED
DIMENSIONS ARE IN INCHES

Rev: *0.0.0* SHEET 1 OF 1



FOR 1.500" SHAFT

ASSEMBLY NAME	ASSEMBLY PART No.
Discharge w/ enc. bowl and dual brgs J9 2.5-LH	J922060
Discharge w/ enc. bowl and dual brgs J9 2.5-RH	J922160



RH = RIGHT HAND
LH = LEFT THREAD

BILL OF MATERIALS

ITEM NO.	PART NAME	QTY	PART No.	MATERIAL
1	DISCHARGE CASE J9YC 2.5-LH	1	J920301	CLASS 40 CAST IRON
2	CLOSED BOWL J9YC	1	J931401	CLASS 40 CAST IRON
3	DISCHARGE BEARING 1.500 x 2.000 x 6.000	1	CT150010213	C-844 BRONZE
4	BOWL RUBBER BEARING 1.500 x 2.500 x 1.500	1	CTE150040641	B-72-2 NEOPRENE DURO 70A
5	HEX BOLT 0.375 x 1.250	12	GRAL37520751	GRADE 5

OPTIONAL

ITEM NO.	PART NAME	PART No.	MATERIAL
1	DISCHARGE CASE J9YC 2.5-RH	J921301	CLASS 40 CAST IRON



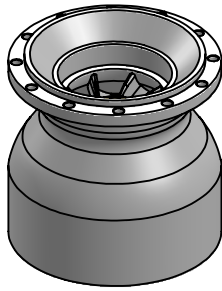
BOMBAS KLASSEN S.A DE C.V
 THIS DRAWING IS THE EXCLUSIVE PROPERTY OF
BOMBAS KLASSEN S.A DE C.V

NO USE WHATSOEVER OF THE INFORMATION
 CONTAINED HEREON MAY BE USED WITHOUT WRITTEN PERMISSION

DEPARTMENT: *GENERAL*

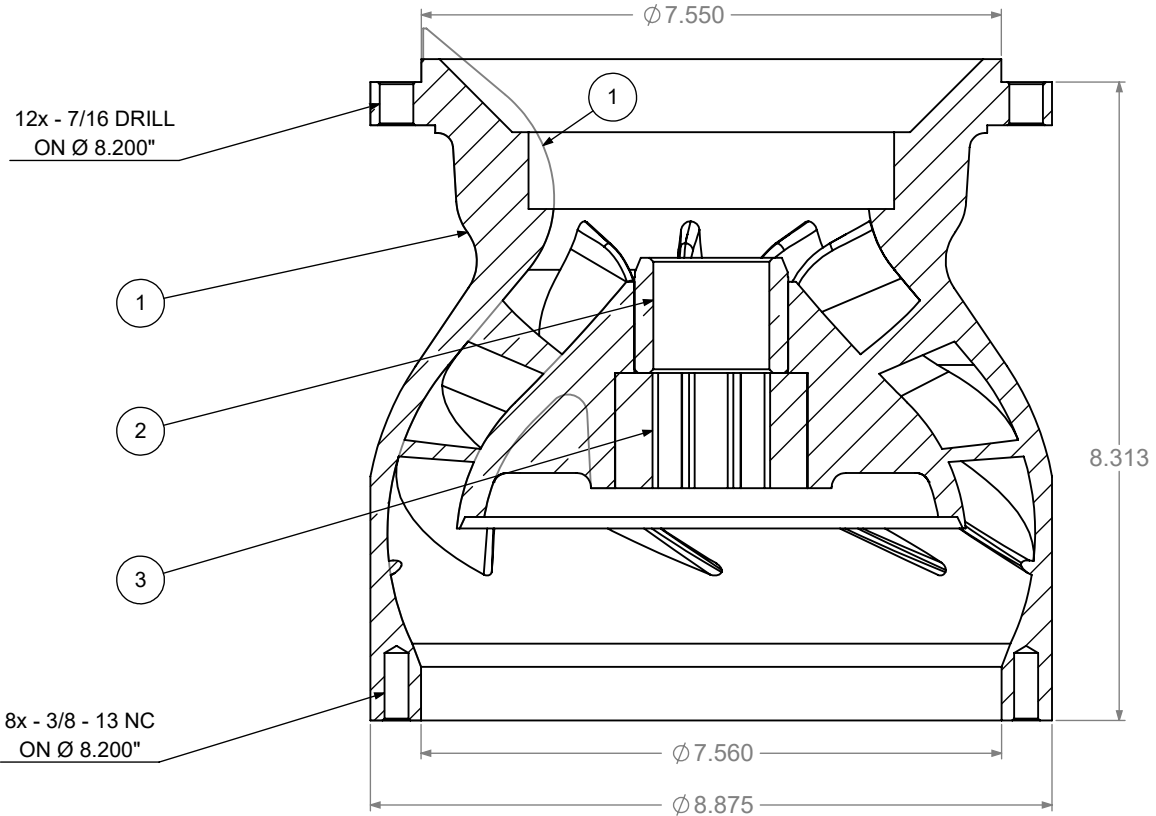
UNLESS OTHERWISE SPECIFIED
 DIMENSIONS ARE IN INCHES

Rev: *0.0.0* SHEET 1 OF 1



FOR 1.500" SHAFT

ASSEMBLY NAME	ASSEMBLY PART No.
Closed Bowl w/ dual brgs J9YC	J931460
Open Bowl w/ dual brgs J9YO	J930460



BILL OF MATERIALS

ITEM NO.	PART NAME	QTY	PART No.	MATERIAL
1	CLOSED BOWL J9YC	1	J931401	CLASS 40 CAST IRON
2	BOWL BRONZE BEARING 1.500 x 2.000 x 1.500	1	CT150011413	C-844 BRONZE
3	BOWL RUBBER BEARING 1.500 x 2.500 x 1.500	1	CTE150040641	B-72-2 NEOPRENE DURO 70A

OPTIONAL

ITEM NO.	PART NAME	PART No.	MATERIAL
1	OPEN BOWL J9YO COMBINED	J930401	CLASS 40 CAST IRON



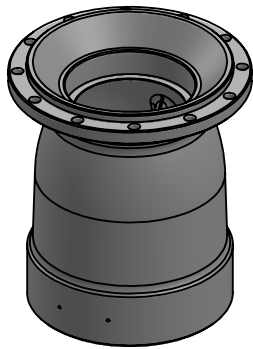
BOMBAS KLASSEN S.A DE C.V
THIS DRAWING IS THE EXCLUSIVE PROPERTY OF
BOMBAS KLASSEN S.A DE C.V

NO USE WHATSOEVER OF THE INFORMATION
CONTAINED HEREON MAY BE USED WITHOUT WRITTEN PERMISSION

DEPARTMENT: *MACHINING*

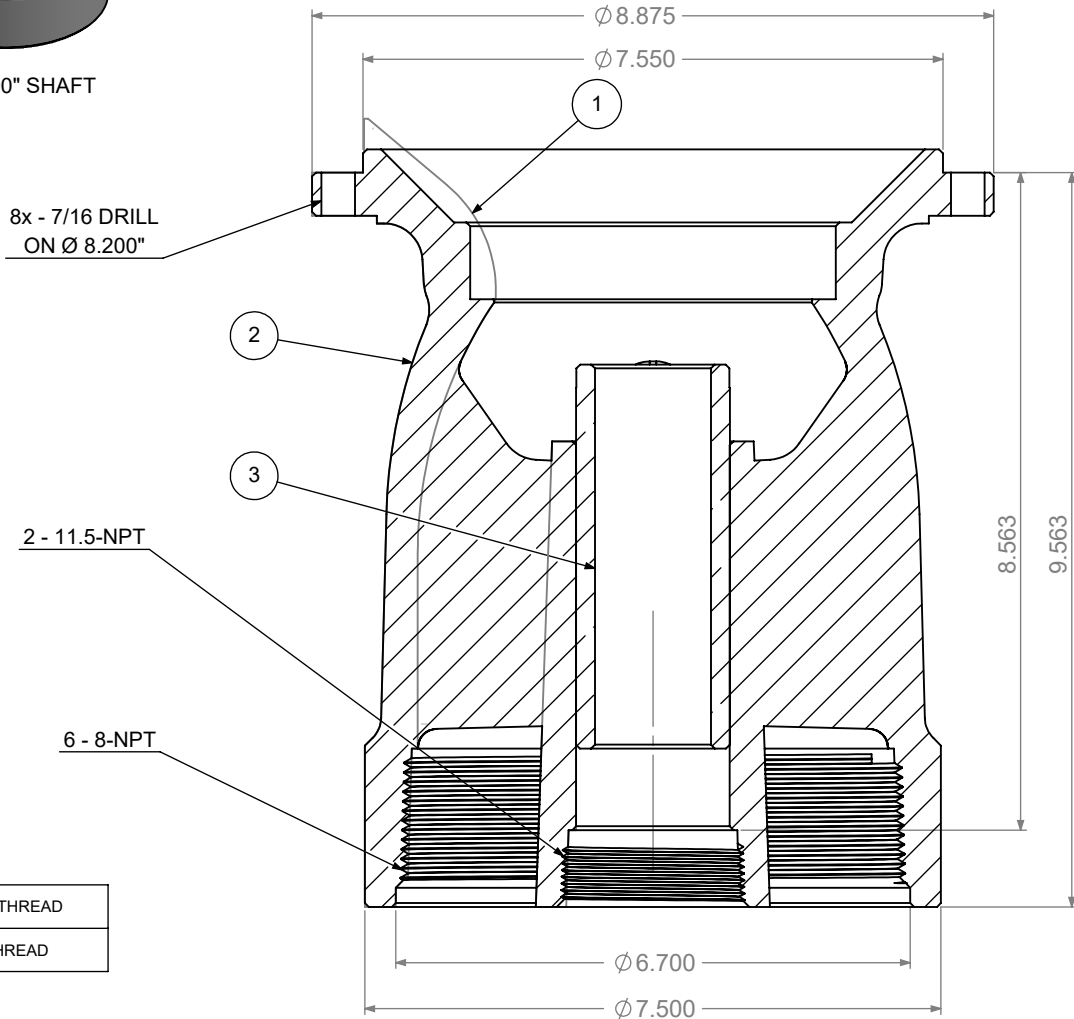
UNLESS OTHERWISE SPECIFIED
DIMENSIONS ARE IN INCHES

Rev: *0.0.0* SHEET 1 OF 1



FOR 1.500" SHAFT

ASSEMBLY NAME	ASSEMBLY PART No.
Suction case w/brz bearing J9YC closed 6-TT	J941660
Suction case w/brz bearing J9YC closed 6-ST	J941560
Suction case w/brz bearing J9YO open 6-TT	J940660
Suction case w/brz bearing J9YO open 6-ST	J940560



ST = STRAIGHT THREAD
TT = TAPER THREAD

BILL OF MATERIALS

ITEM NO.	PART NAME	QTY	PART No.	MATERIAL
1	SUCTION CASE J9YO 6-TT	1	J940601	CLASS 40 CAST IRON
2	SUCTION CASE J9YC 6TT	1	J941601	CLASS 40 CAST IRON
3	SUCTION BOWL BEARING 1.500	1	CT150012113	C-844 BRONZE

OPTIONAL

ITEM NO.	PART NAME	PART No.	MATERIAL
1	SUCTION CASE J9YO 6-ST	J940501	CLASS 40 CAST IRON
2	SUCTION CASE J9YC 6-ST	J941501	CLASS 40 CAST IRON



BOMBAS KLASSEN S.A DE C.V
 THIS DRAWING IS THE EXCLUSIVE PROPERTY OF
BOMBAS KLASSEN S.A DE C.V

NO USE WHATSOEVER OF THE INFORMATION
 CONTAINED HEREON MAY BE USED WITHOUT WRITTEN PERMISSION

DEPARTMENT: *GENERAL*

UNLESS OTHERWISE SPECIFIED
 DIMENSIONS ARE IN INCHES

Rev: *0.0.0* SHEET 1 OF 1