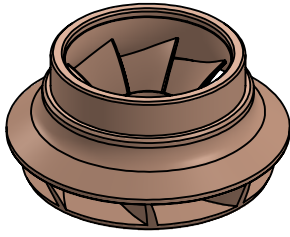
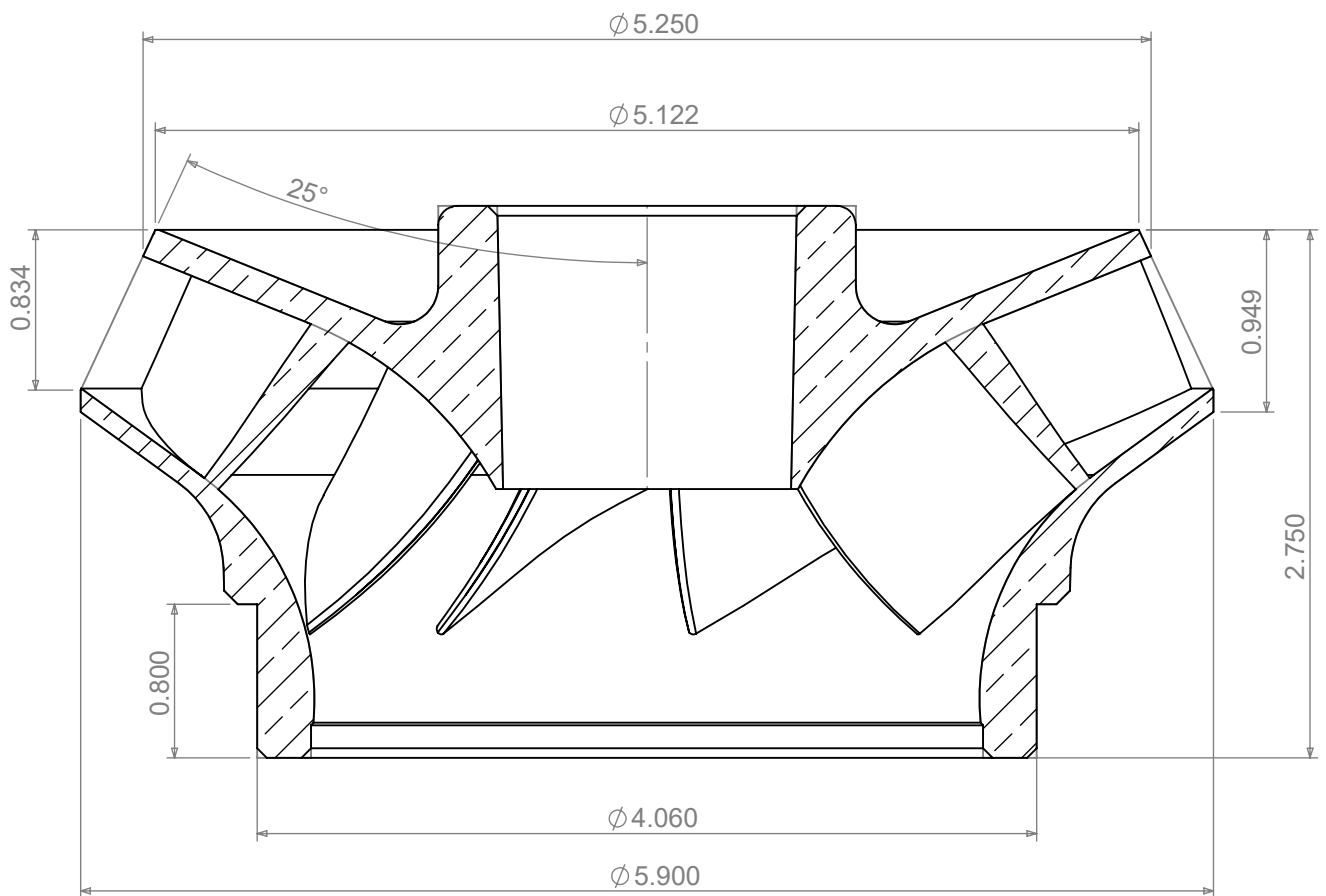


ITEM No.	NAME	QTY	PART No.	MATERIAL
1	Closed Impeller J8LC	1	J811503	CDA836 Pb RED BRASS
2	Closed Impeller J8HC	1	J811803	CDA836 Pb RED BRASS



FOR 1.188" SHAFT



**BOMBAS KLASSEN S.A DE C.V**  
THIS DRAWING IS THE EXCLUSIVE PROPERTY OF  
**BOMBAS KLASSEN S.A DE C.V**

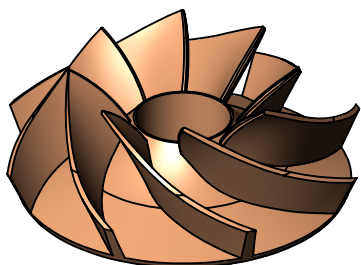
NO USE WHATSOEVER OF THE INFORMATION  
CONTAINED HEREON MAY BE USED WITHOUT WRITTEN PERMISSION

UNLESS OTHERWISE SPECIFIED  
DIMENSIONS ARE IN INCHES

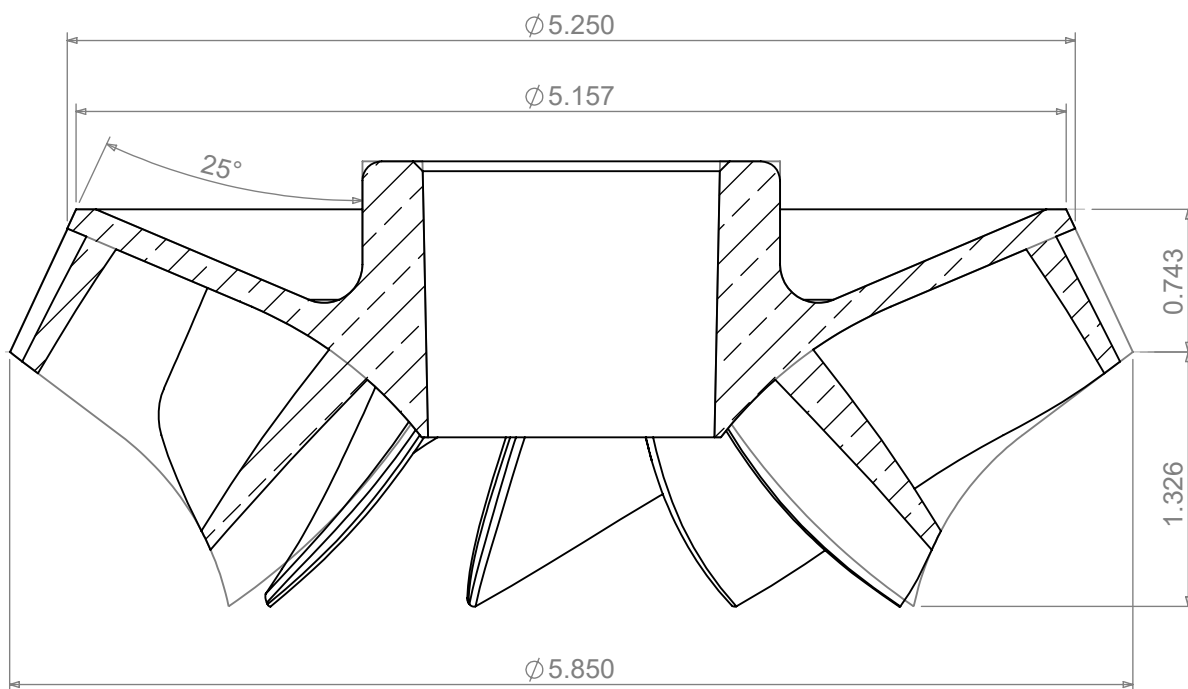
DEPARTMENT: *GENERAL*

Rev: *0.0.0* SHEET 1 OF 1

NAME	PART No.	MATERIAL
Open Impeller J8LO	J810503	CDA836 Pb RED BRASS
Open Impeller J8HO	J810803	CDA836 Pb RED BRASS



FOR 1.188" SHAFT



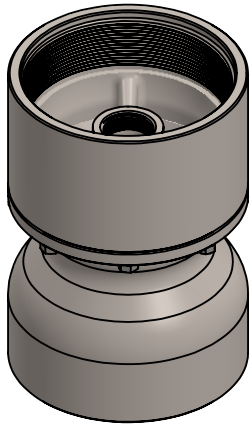
**BOMBAS KLASSEN S.A DE C.V**  
 THIS DRAWING IS THE EXCLUSIVE PROPERTY OF  
**BOMBAS KLASSEN S.A DE C.V**

NO USE WHATSOEVER OF THE INFORMATION  
 CONTAINED HEREON MAY BE USED WITHOUT WRITTEN PERMISSION

UNLESS OTHERWISE SPECIFIED  
 DIMENSIONS ARE IN INCHES

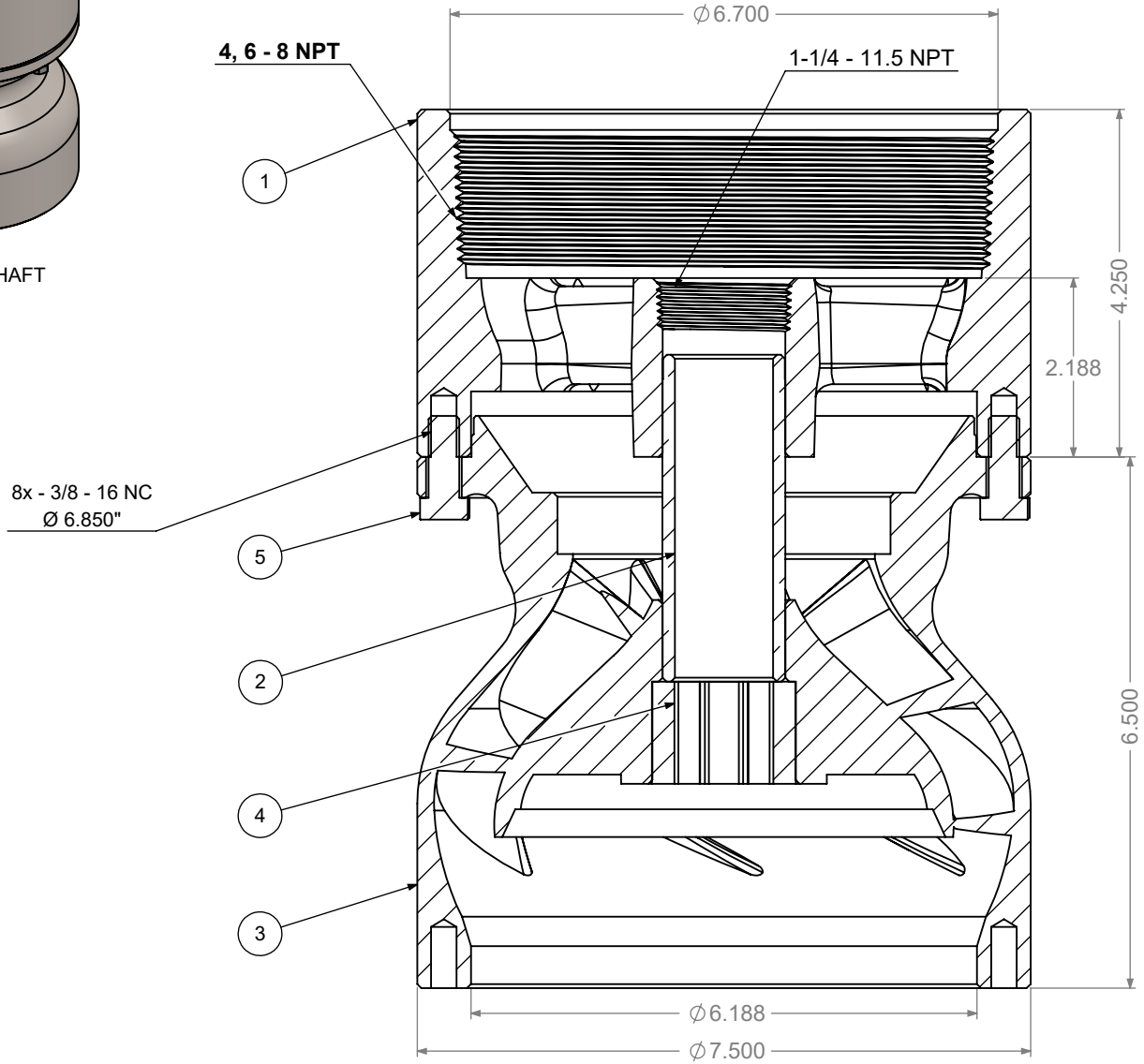
DEPARTMENT: *GENERAL*

Rev: *0.0.0* SHEET 1 OF 1



FOR 1.188" SHAFT

ASSEMBLY NAME	ASSEMBLY PART No.
Sub Column adapter w bowl/brz brg J8 4-TT	J855660
Sub Column adapter w bowl/brz brg J8 6-TT	J856060



**BILL OF MATERIALS**

ITEM NO.	PART NAME	QTY	PART No.	MATERIAL
1	SUB COLUMN ADAPTER J8 F8 6-TT	1	J856001	CLASS 40 CAST IRON
2	DISCHARGE CASE BEARING 1.188 x 1.500 x 4.000	1	CT118810313	C-844 BRONZE
3	CLOSED BOWL J8YC COMBINED	1	J831401	CLASS 40 CAST IRON
4	BOWL RUBBER BEARING 1.188 x 1.750 x 1.250	1	CTE118840541	B-72-2 NEOPRENE DURO 70A
5	HEX BOLT 0.375 x 1.000	8	GRAL37521715	304 STAINLESS STEEL

**OPTIONAL**

ITEM NO.	PART NAME	PART No.	MATERIAL
1	SUB COLUMN ADAPTER J8 F8 4-TT	J855601	CLASS 40 CAST IRON



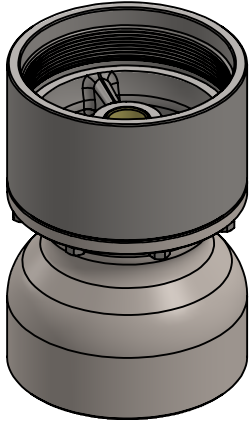
**BOMBAS KLASSEN S.A DE C.V.**  
 THIS DRAWING IS THE EXCLUSIVE PROPERTY OF  
**BOMBAS KLASSEN S.A DE C.V.**

NO USE WHATSOEVER OF THE INFORMATION  
 CONTAINED HEREON MAY BE USED WITHOUT WRITTEN PERMISSION

DEPARTMENT: **GENERAL**

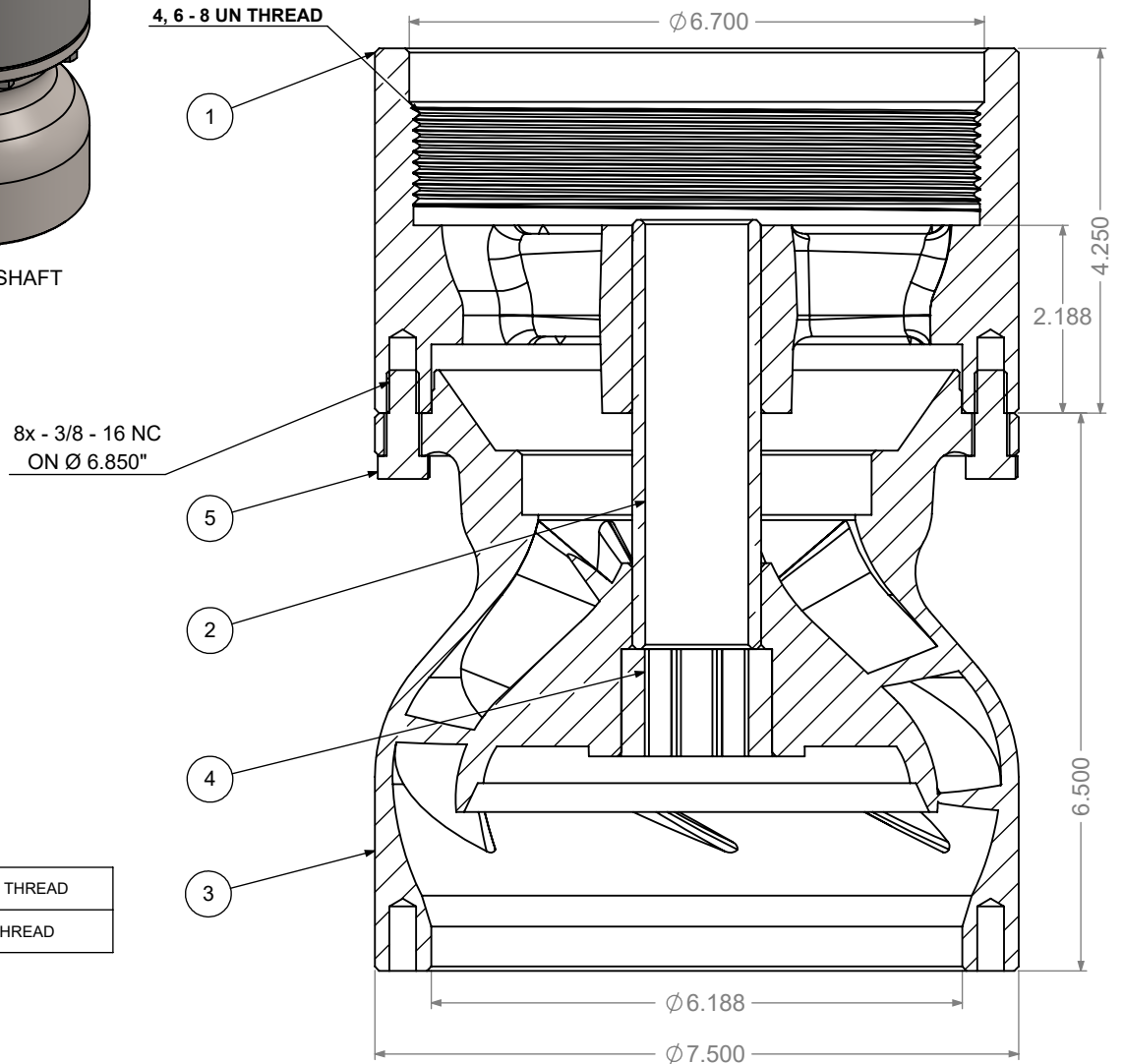
UNLESS OTHERWISE SPECIFIED  
 DIMENSIONS ARE IN INCHES

Rev: **0.0.0** SHEET 1 OF 1



FOR 1.188" SHAFT

ASSEMBLY NAME	ASSEMBLY PART No.
WL Column adapter w bowl/brz brg J8 4-ST	J855560
WL Column adapter w bowl/brz brg J8 6-ST	J855960



ST = STRAIGHT THREAD
TT = TAPER THREAD

**BILL OF MATERIALS**

ITEM NO.	PART NAME	QTY	PART No.	MATERIAL
1	WL COLUMN ADAPTER J8 F8 6-ST	1	J855901	CLASS 40 CAST IRON
2	DISCHARGE BEARING 1.188 x 1.500 x 5.000	1	CT118810113	C-844 BRONZE
3	CLOSED BOWL J8YC COMBINED	1	J831401	CLASS 40 CAST IRON
4	BOWL RUBBER BEARING 1.188 x 1.750 x 1.250	1	CTE118840541	B-72-2 NEOPRENE DURO 70A
5	HEX BOLT 0.375 x 1.000	8	GRAL37521715	304 STAINLESS STEEL

**OPTIONAL**

ITEM NO.	PART NAME	PART No.	MATERIAL
1	WL COLUMN ADAPTER J8 F8 4-ST	J855501	CLASS 40 CAST IRON



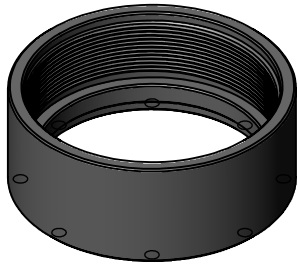
**BOMBAS KLASSEN S.A DE C.V**  
 THIS DRAWING IS THE EXCLUSIVE PROPERTY OF  
**BOMBAS KLASSEN S.A DE C.V**

NO USE WHATSOEVER OF THE INFORMATION  
 CONTAINED HEREON MAY BE USED WITHOUT WRITTEN PERMISSION

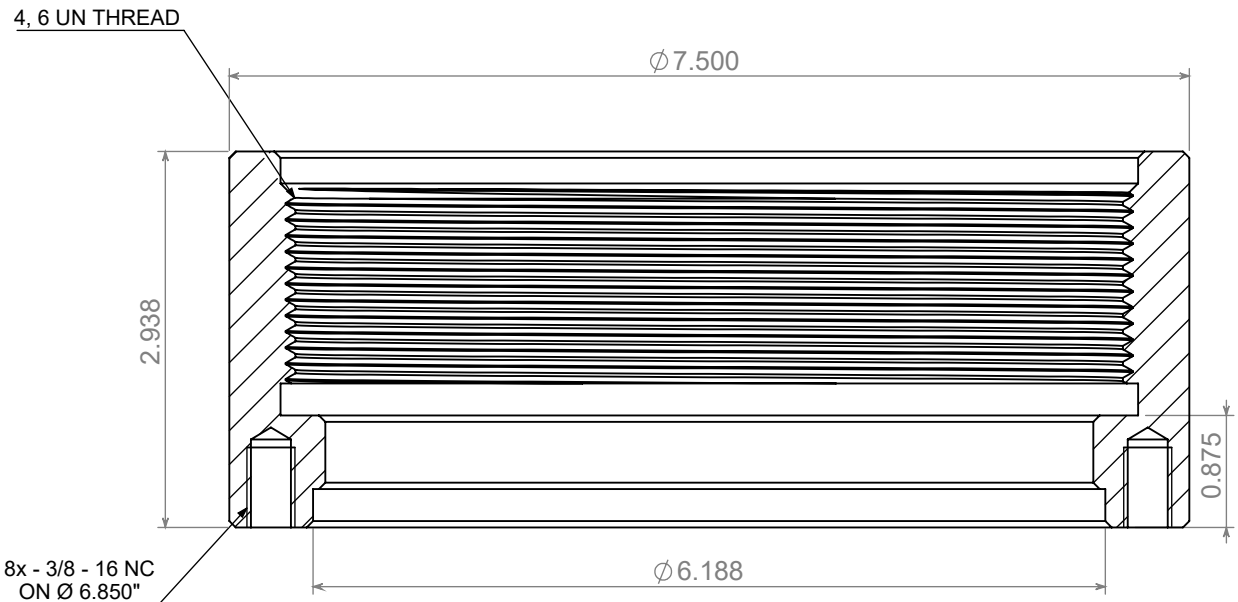
DEPARTMENT: *GENERAL*

UNLESS OTHERWISE SPECIFIED  
 DIMENSIONS ARE IN INCHES

Rev: *0.0.0* SHEET 1 OF 1



NAME	PART No.	MATERIAL
Column Adapter J8 F8 YC 4-ST	J850501	CLASS 40 CAST IRON
Column Adapter J8 F8 YC 6-ST	J850901	CLASS 40 CAST IRON
Column Adapter J8 F8 YC 4-TT	J850401	CLASS 40 CAST IRON
Column Adapter J8 F8 YC 6-TT	J851001	CLASS 40 CAST IRON



**BOMBAS KLASSEN S.A DE C.V**  
THIS DRAWING IS THE EXCLUSIVE PROPERTY OF  
**BOMBAS KLASSEN S.A DE C.V**

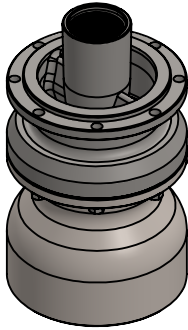
NO USE WHATSOEVER OF THE INFORMATION  
CONTAINED HEREON MAY BE USED WITHOUT WRITTEN PERMISSION

DEPARTMENT: *GENERAL*

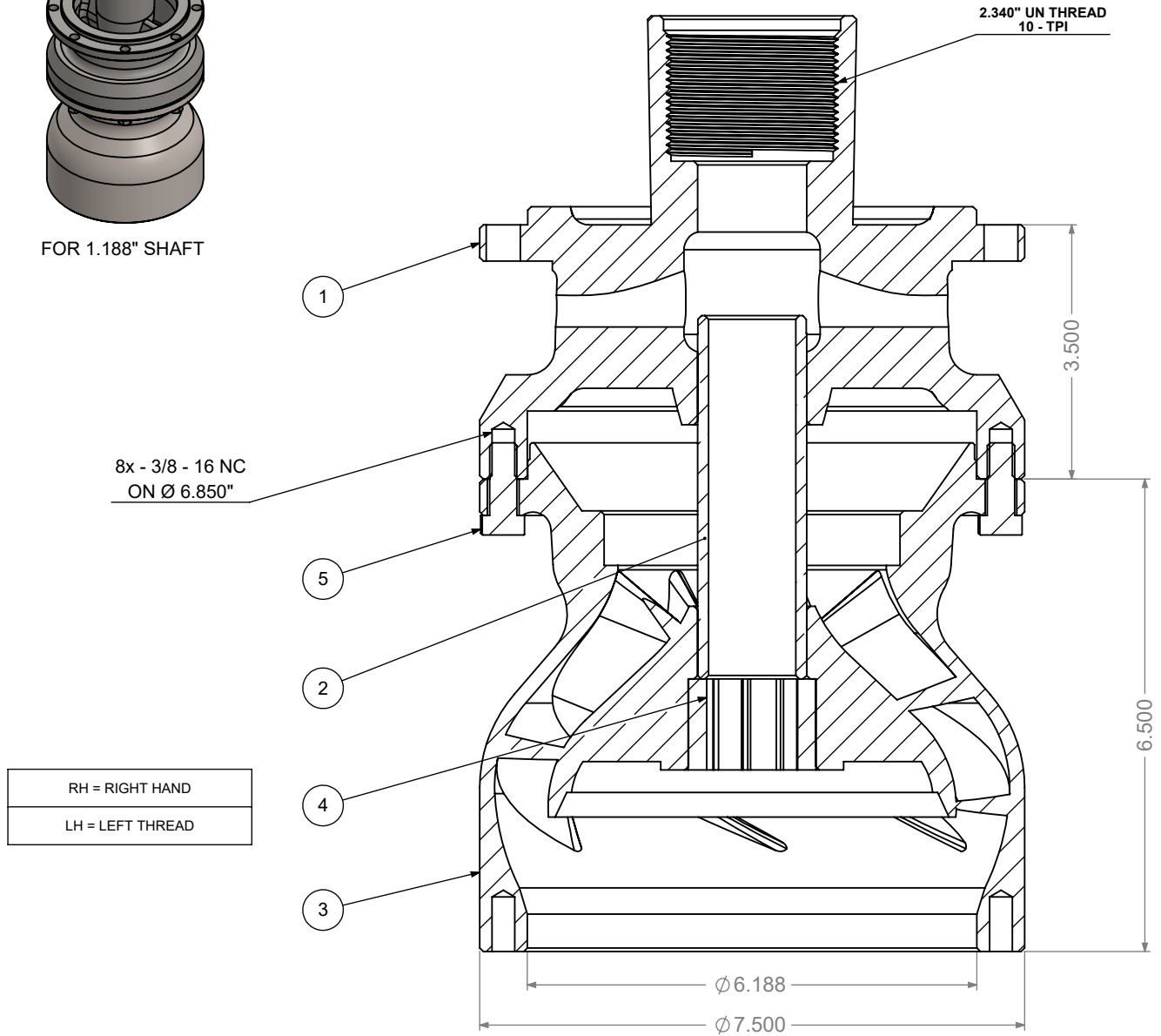
UNLESS OTHERWISE SPECIFIED  
DIMENSIONS ARE IN INCHES

Rev: *0.0.0* SHEET 1 OF 1

ASSEMBLY NAME	ASSEMBLY PART No.
Discharge w/ enc. bowl and dual brgs J8 2-LH	J822060
Discharge w/ enc. bowl and dual brgs J8 2-RH	J822160



FOR 1.188" SHAFT



RH = RIGHT HAND
LH = LEFT THREAD

**BILL OF MATERIALS**

ITEM NO.	PART NAME	QTY	PART No.	MATERIAL
1	DISCHARGE CASE J8 F8 2-LH	1	J820201	CLASS 40 CAST IRON
2	DISCHARGE BEARING 1.188 x 1.500 x 5.000	1	CT118810113	C-844 BRONZE
3	CLOSED BOWL J8YC COMBINED	1	J831401	CLASS 40 CAST IRON
4	BOWL RUBBER BEARING 1.188 x 1.750 x 1.250	1	CTE118840541	B-72-2 NEOPRENE DURO 70A
5	HEX BOLT 0.375 x 1.000	8	GRAL37521715	304 STAINLESS STEEL

ITEM NO.	PART NAME	PART No.	MATERIAL
1	DISCHARGE CASE J8 F8 2-RH	J821201	CLASS 40 CAST IRON



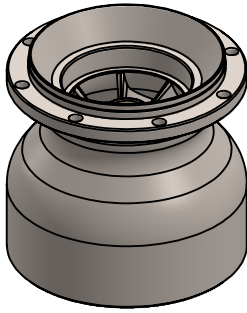
**BOMBAS KLASSEN S.A DE C.V.**  
THIS DRAWING IS THE EXCLUSIVE PROPERTY OF  
**BOMBAS KLASSEN S.A DE C.V.**

NO USE WHATSOEVER OF THE INFORMATION  
CONTAINED HEREON MAY BE USED WITHOUT WRITTEN PERMISSION

DEPARTMENT: *GENERAL*

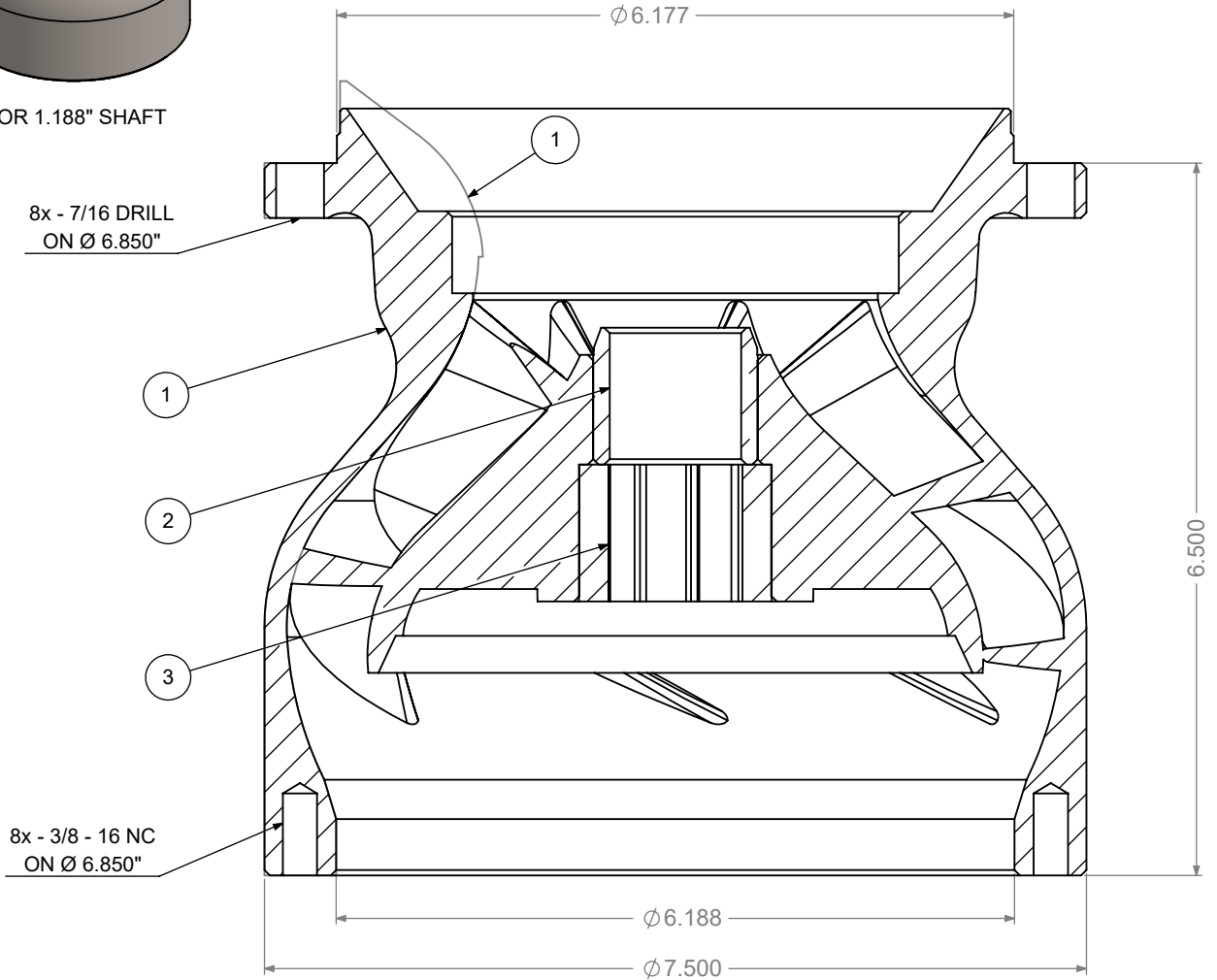
UNLESS OTHERWISE SPECIFIED  
DIMENSIONS ARE IN INCHES

Rev: *0.0.0* SHEET 1 OF 1



FOR 1.188" SHAFT

ASSEMBLY NAME	ASSEMBLY PART No.
Closed Bowl w/ dual brgs J8YC	J831460
Open Bowl w/ dual brgs J8YO	J830460



**BILL OF MATERIALS**

ITEM NO.	PART NAME	QTY	PART No.	MATERIAL
1	CLOSED BOWL J8YC COMBINED	1	J831401	CLASS 40 CAST IRON
2	BOWL BRONZE BEARING 1.188 x 1.500 x 1.250	1	CT118811213	C-844 BRONZE
3	BOWL RUBBER BEARING 1.188 x 1.750 x 1.250	1	CTE118840541	B-72-2 NEOPRENE DURO 70A

**OPTIONAL**

ITEM NO.	PART NAME	PART No.	MATERIAL
1	OPEN BOWL J8YO COMBINED	J830401	CLASS 40 CAST IRON



**BOMBAS KLASSEN S.A DE C.V.**  
THIS DRAWING IS THE EXCLUSIVE PROPERTY OF  
**BOMBAS KLASSEN S.A DE C.V.**

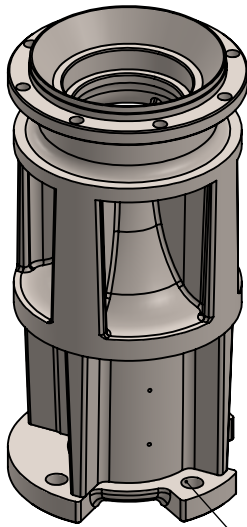
NO USE WHATSOEVER OF THE INFORMATION  
CONTAINED HEREON MAY BE USED WITHOUT WRITTEN PERMISSION

DEPARTMENT: *GENERAL*

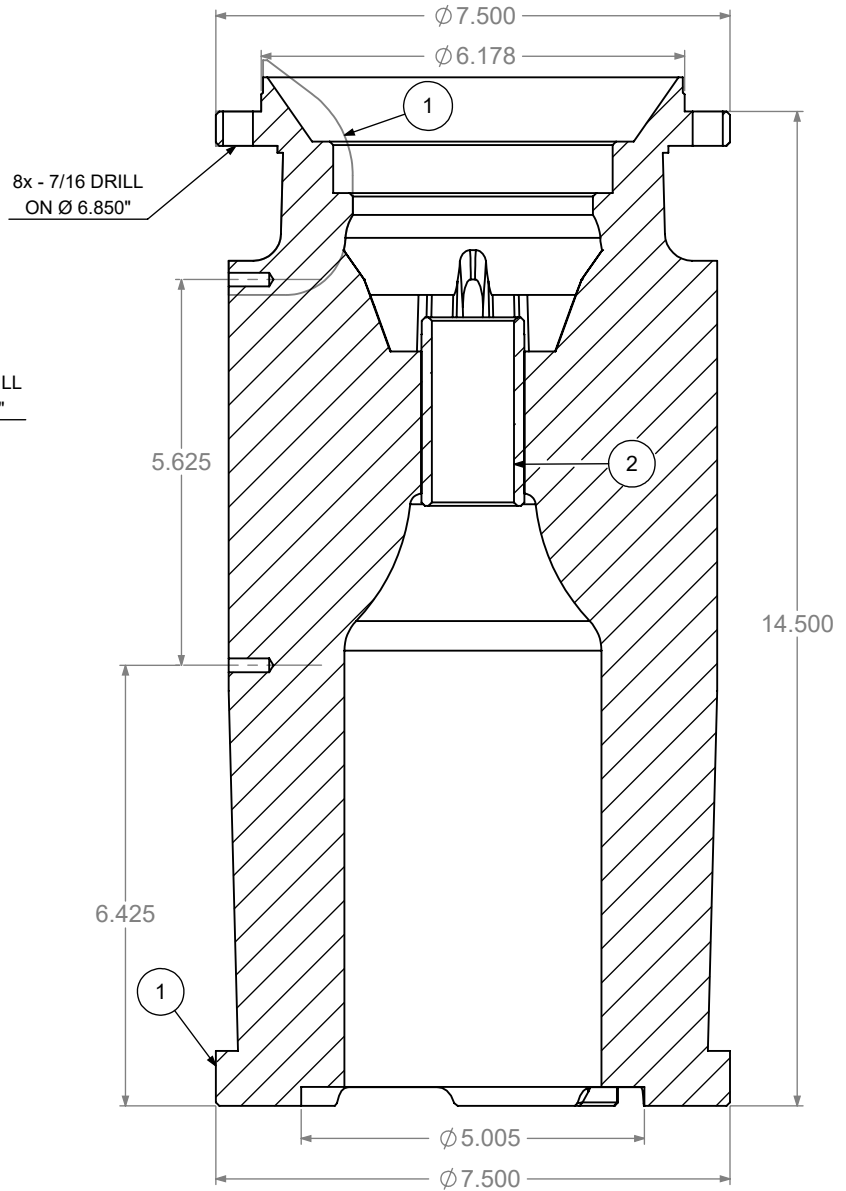
UNLESS OTHERWISE SPECIFIED  
DIMENSIONS ARE IN INCHES

Rev: *0.0.0* SHEET 1 OF 1

ASSEMBLY NAME	ASSEMBLY PART No.
Suction case w/brz bearing J8YC closed nema 8	J844360
Suction case w/brz bearing J8YO open nema 8	J843360



4x - 11/16 DRILL  
ON Ø 6.000"  
FOR 1.188" SHAFT



**BILL OF MATERIALS**

ITEM NO.	PART NAME	QTY	PART No.	MATERIAL
1	SUCTION CASE J8YC NEMA 8	1	J844301	CLASS 40 CAST IRON
2	BOWL BRONZE BEARING 1.188 x 1.500 x 2.750	1	CT118811113	C-844 BRONZE

**OPTIONAL**

ITEM NO.	PART NAME	PART No.	MATERIAL
1	SUCTION CASE J8YO NEMA 8	J843301	CLASS 40 CAST IRON



**BOMBAS KLASSEN S.A DE C.V**  
THIS DRAWING IS THE EXCLUSIVE PROPERTY OF  
**BOMBAS KLASSEN S.A DE C.V**

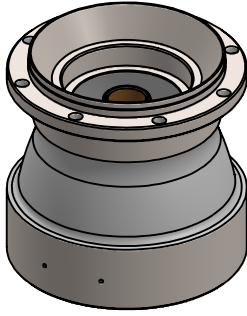
NO USE WHATSOEVER OF THE INFORMATION  
CONTAINED HEREON MAY BE USED WITHOUT WRITTEN PERMISSION

DEPARTMENT: *GENERAL*

UNLESS OTHERWISE SPECIFIED  
DIMENSIONS ARE IN INCHES

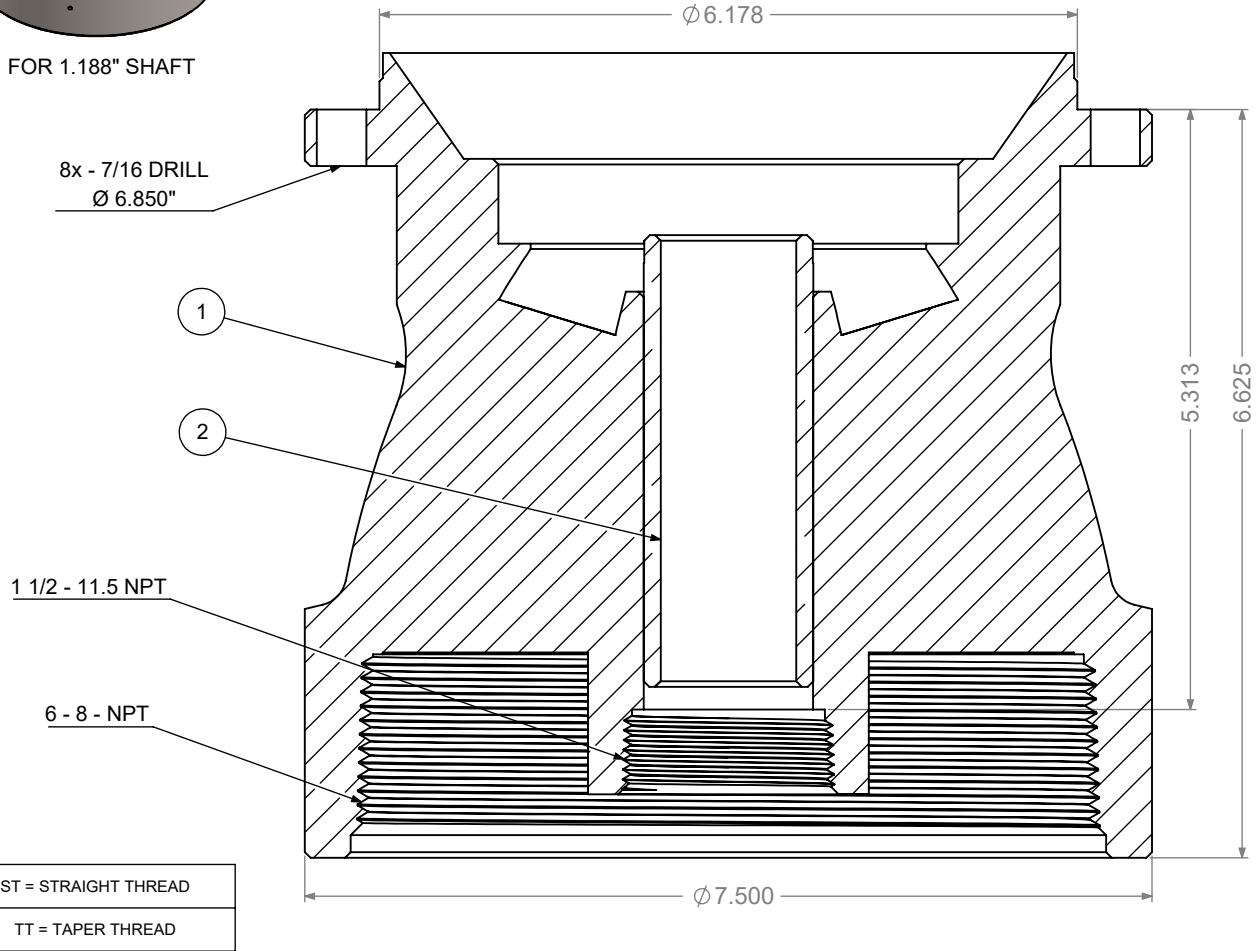
Rev: *0.0.0* SHEET 1 OF 1





FOR 1.188" SHAFT

ASSEMBLY NAME	ASSEMBLY PART No.
Suction case w/brz bearing J8YC closed 6-TT	J841660
Suction case w/brz bearing J8YC closed 6-ST	J841560



ST = STRAIGHT THREAD
TT = TAPER THREAD

**BILL OF MATERIALS**

ITEM NO.	PART NAME	QTY	PART No.	MATERIAL
1	SUCTION CASE J8YC 6-TT	1	J841601	CLASS 40 CAST IRON
2	DISCHARGE BEARING 1.188 x 1.500 x 4.000	1	CT118810313	C-844 BRONZE

**OPTIONAL**

ITEM NO.	NAME	PART No.	MATERIAL
1	SUCTION CASE J8YC 6-ST	J841501	CLASS 40 CAST IRON

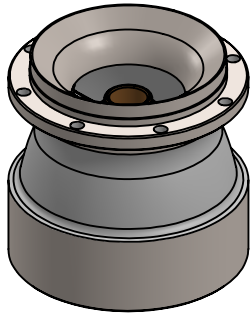


**BOMBAS KLASSEN S.A DE C.V**  
 THIS DRAWING IS THE EXCLUSIVE PROPERTY OF  
**BOMBAS KLASSEN S.A DE C.V**

NO USE WHATSOEVER OF THE INFORMATION  
 CONTAINED HEREON MAY BE USED WITHOUT WRITTEN PERMISSION

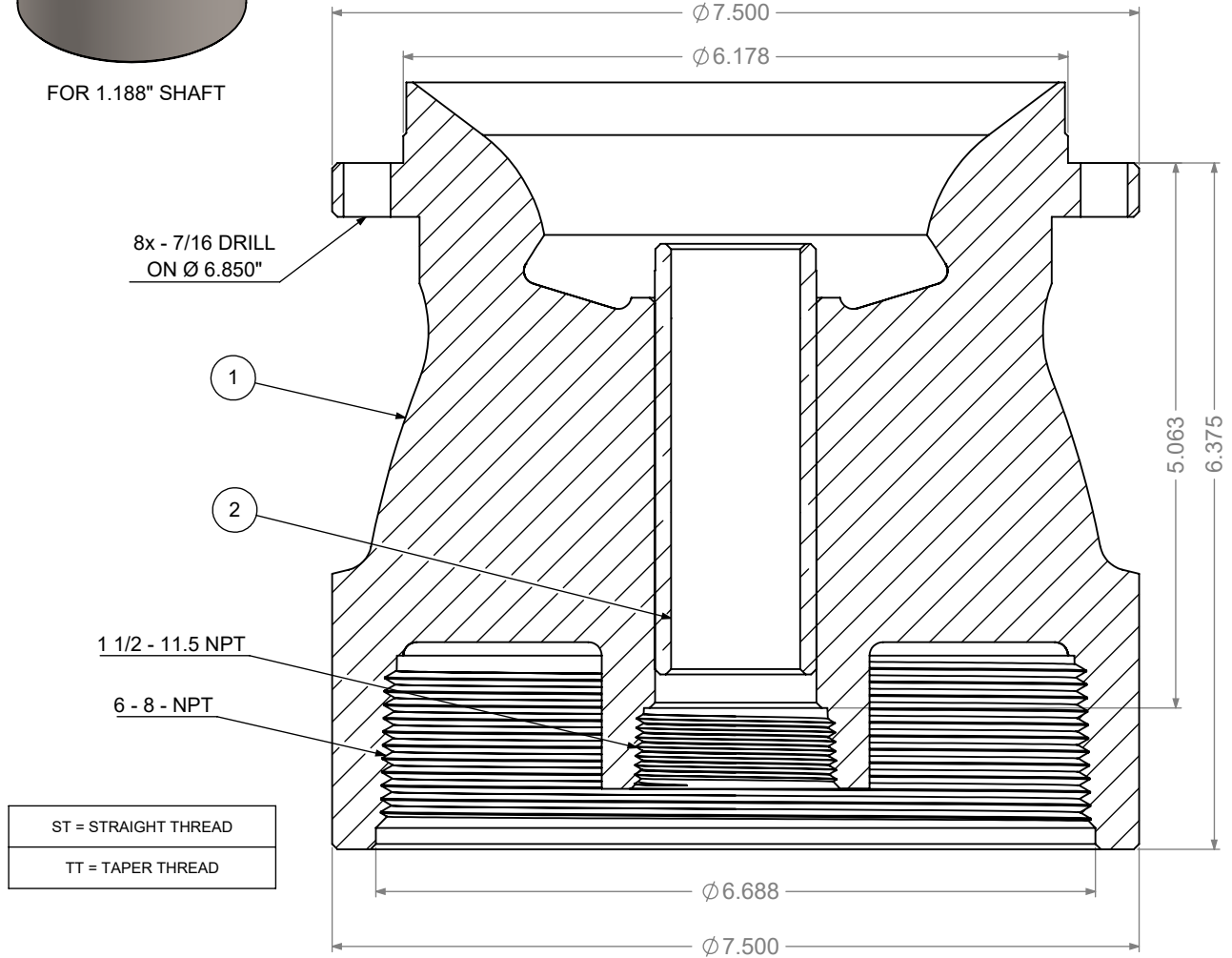
DEPARTMENT: <i>GENERAL</i>
Rev: <i>0.0.0</i> SHEET 1 OF 1

UNLESS OTHERWISE SPECIFIED  
 DIMENSIONS ARE IN INCHES



FOR 1.188" SHAFT

ASSEMBLY NAME	ASSEMBLY PART No.
Suction case w/brz bearing J8YO open 6-TT	J840660
Suction case w/brz bearing J8YO open 6-ST	J840560



ST = STRAIGHT THREAD
TT = TAPER THREAD

**BILL OF MATERIALS**

ITEM NO.	PART NAME	QTY	PART No.	MATERIAL
1	SUCTION CASE J8YO 6-TT	1	J840601	CLASS 40 CAST IRON
2	DISCHARGE BEARING 1.188 x 1.500 x 4.000	1	CT118810313	C-844 BRONZE

**OPTIONAL**

ITEM NO.	NAME	PART No.	MATERIAL
1	SUCTION CASE J8YO 6-ST	J840501	CLASS 40 CAST IRON



**BOMBAS KLASSEN S.A DE C.V.**  
 THIS DRAWING IS THE EXCLUSIVE PROPERTY OF  
**BOMBAS KLASSEN S.A DE C.V.**

NO USE WHATSOEVER OF THE INFORMATION  
 CONTAINED HEREON MAY BE USED WITHOUT WRITTEN PERMISSION

DEPARTMENT: *GENERAL*

UNLESS OTHERWISE SPECIFIED  
 DIMENSIONS ARE IN INCHES

Rev: *0.0.0* SHEET 1 OF 1