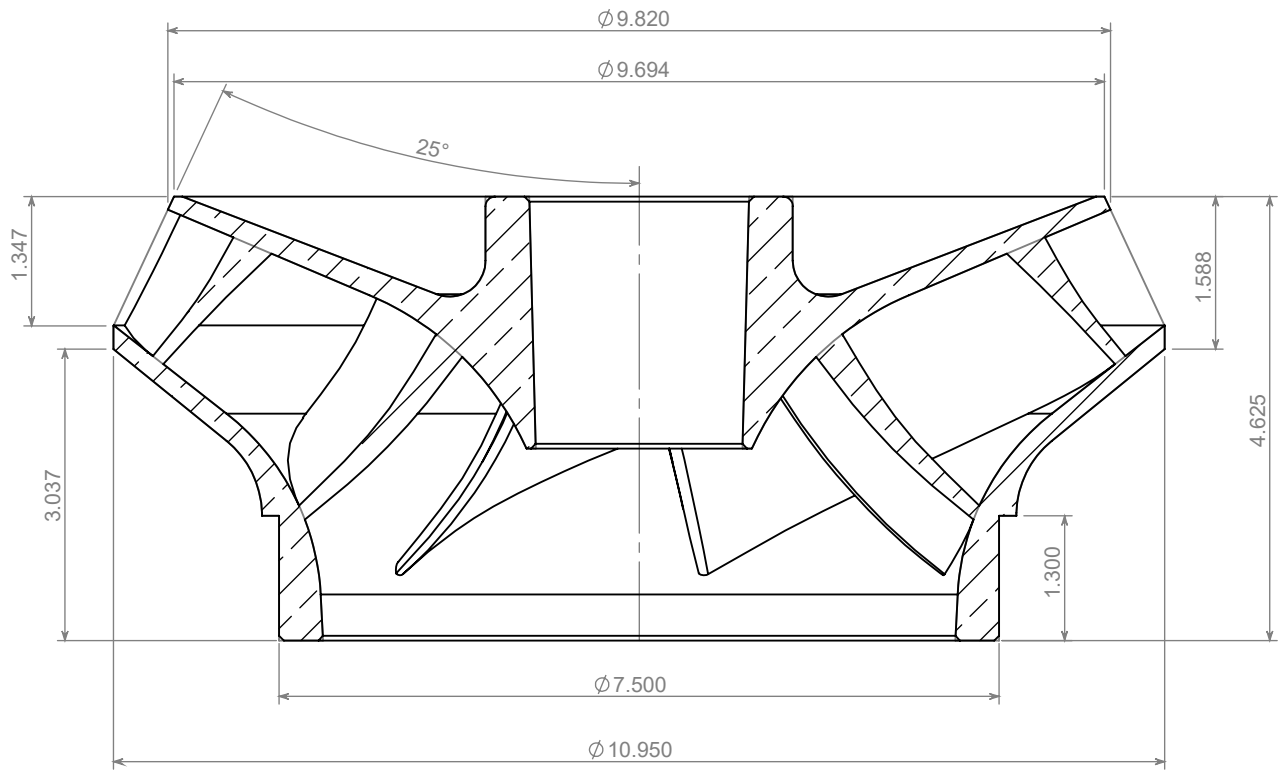


FOR 1.938" SHAFT

NAME	PART No.	MATERIAL
Closed Impeller J14MC	J1411603	CDA836Pb RED BRASS
Closed Impeller J14HC	J1411803	CDA836Pb RED BRASS



BOMBAS KLASSEN S.A DE C.V
 THIS DRAWING IS THE EXCLUSIVE PROPERTY OF
BOMBAS KLASSEN S.A DE C.V

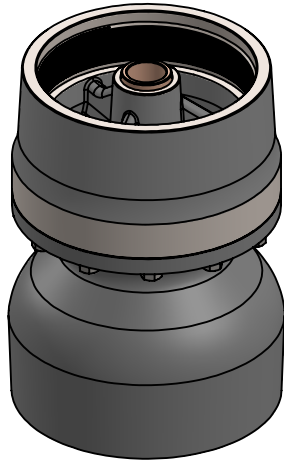
NO USE WHATSOEVER OF THE INFORMATION
 CONTAINED HEREON MAY BE USED WITHOUT WRITTEN PERMISSION

UNLESS OTHERWISE SPECIFIED
 DIMENSIONS ARE IN INCHES

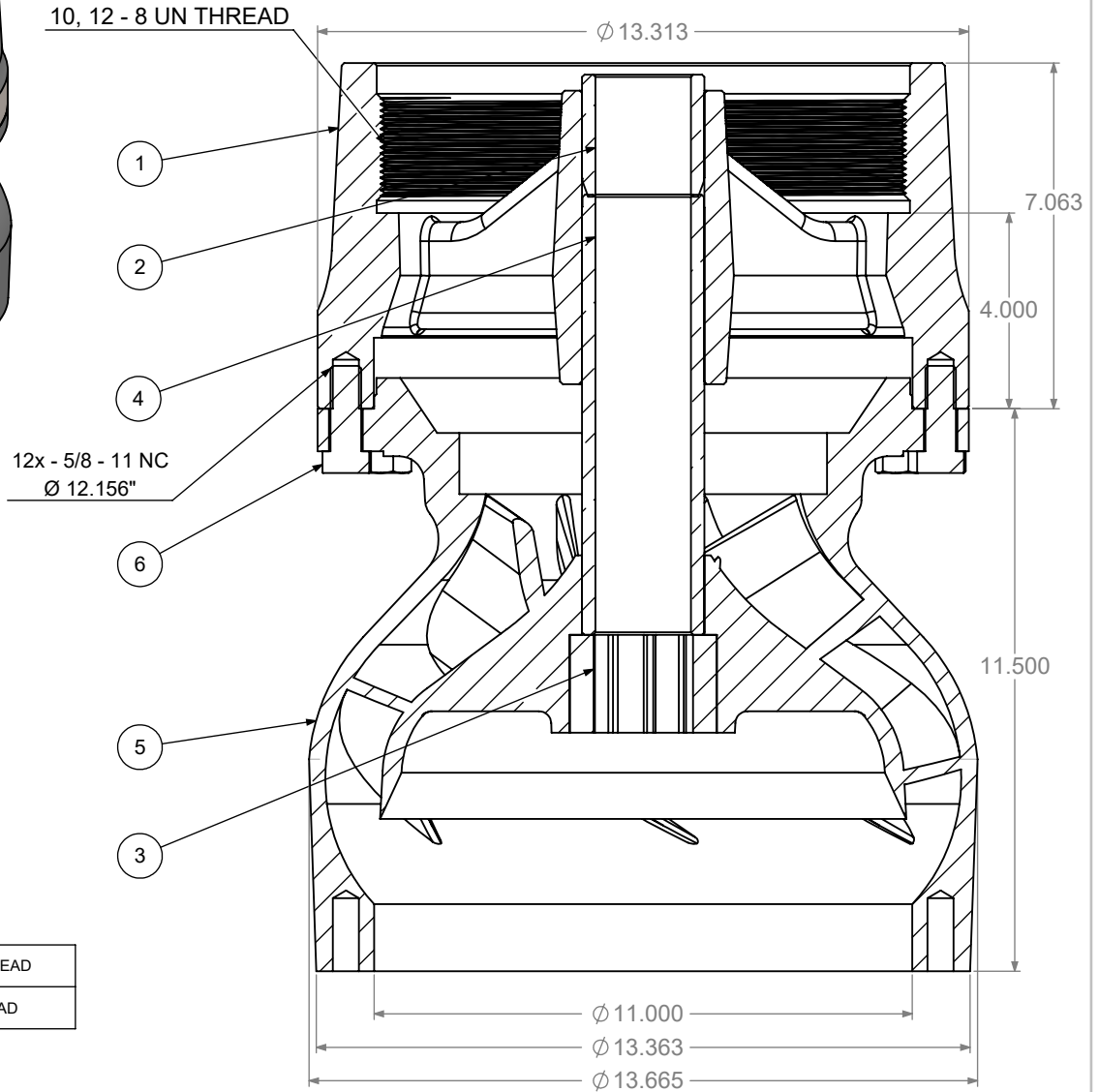
DEPARTMENT: *GENERAL*

Rev: *0.0.0* SHEET 1 OF 1

ASSEMBLY NAME	ASSEMBLY PART No.
WL Column adapter w/brz brg J14 10-ST	J1456360
WL Column adapter w/brz brg J14 12-ST	J14565501



FOR 1.938" SHAFT



ST = STRAIGHT THREAD
TT = TAPER THREAD

BILL OF MATERIALS

ITEM No.	NAME	QTY	PART No.	MATERIAL
1	WL COLUMN ADAPTER J14YC 10-ST	1	J1456301	CLASS 40 CAST IRON
2	BOWL BRONZE BEARING 1.938 x 2.500 x 2.500	1	CT193811213	C-844 BRONZE
3	OCT RUBBER BEARING 1.938 x 3.000 x 2.000	1	CT193840341	B-72-2 NEOPRENE DURO 70A
4	DISCHARGE BEARING 1.938 x 2.500 x 9.000	1	CT193810313	C-844 BRONZE
5	CLOSED BOWL J14YC COMBINED	1	J1431401	CLASS 40 CAST IRON
6	HEX BOLT 0.625 x 1.750	12	GRAL62520451	GRADE 5

OPTIONAL

ITEM NO.	PART NAME	PART No.	MATERIAL
1	WL COLUMN ADAPTER J14YC 12-ST	J14565501	CLASS 40 CAST IRON



BOMBAS KLASSEN S.A DE C.V
THIS DRAWING IS THE EXCLUSIVE PROPERTY OF
BOMBAS KLASSEN S.A DE C.V

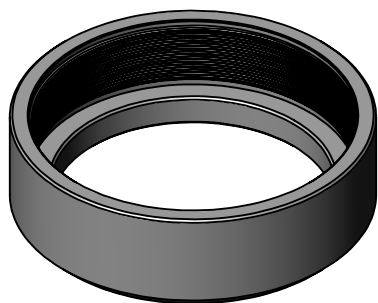
NO USE WHATSOEVER OF THE INFORMATION
CONTAINED HEREON MAY BE USED WITHOUT WRITTEN PERMISSION

DEPARTMENT: *GENERAL*

UNLESS OTHERWISE SPECIFIED
DIMENSIONS ARE IN INCHES

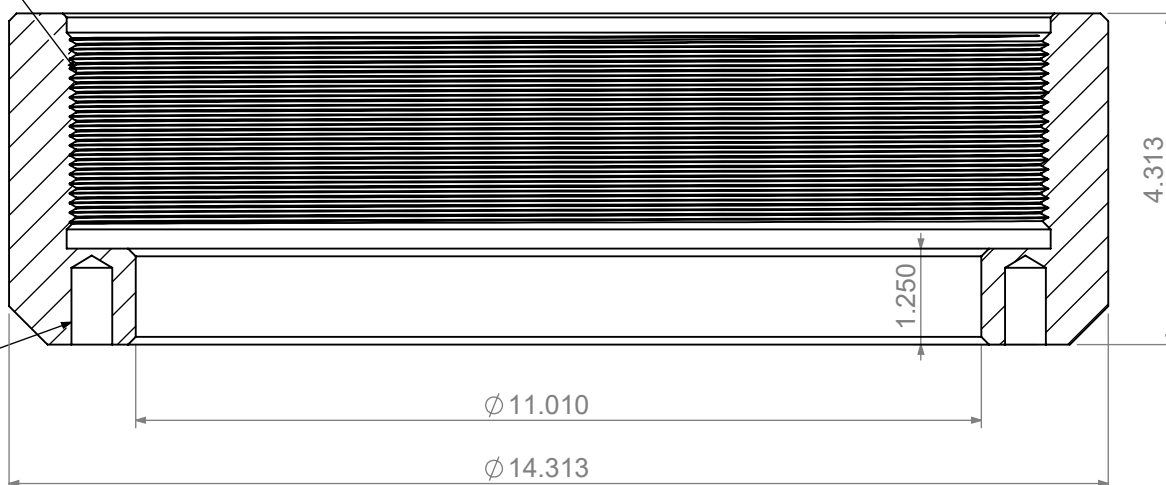
Rev: *0.0.0* SHEET 1 OF 1

ASSEMBLY NAME	ASSEMBLY PART No.	MATERIAL
Column adapter J14YC 10-ST	J1451301	CLASS 40 CAST IRON
Column adapter J14YC 12-ST	J1451501	CLASS 40 CAST IRON
Column adapter J14YC 10-TT	J1451401	CLASS 40 CAST IRON
Column adapter J14YC 12-TT	J1451601	CLASS 40 CAST IRON



10, 10 UN THREAD

8x - 5/8-11 NC
ON Ø 12.156"



BOMBAS KLASSEN S.A DE C.V
THIS DRAWING IS THE EXCLUSIVE PROPERTY OF
BOMBAS KLASSEN S.A DE C.V

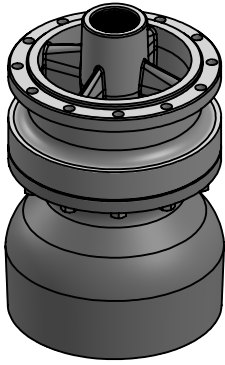
NO USE WHATSOEVER OF THE INFORMATION
CONTAINED HEREON MAY BE USED WITHOUT WRITTEN PERMISSION

DEPARTMENT: *GENERAL*

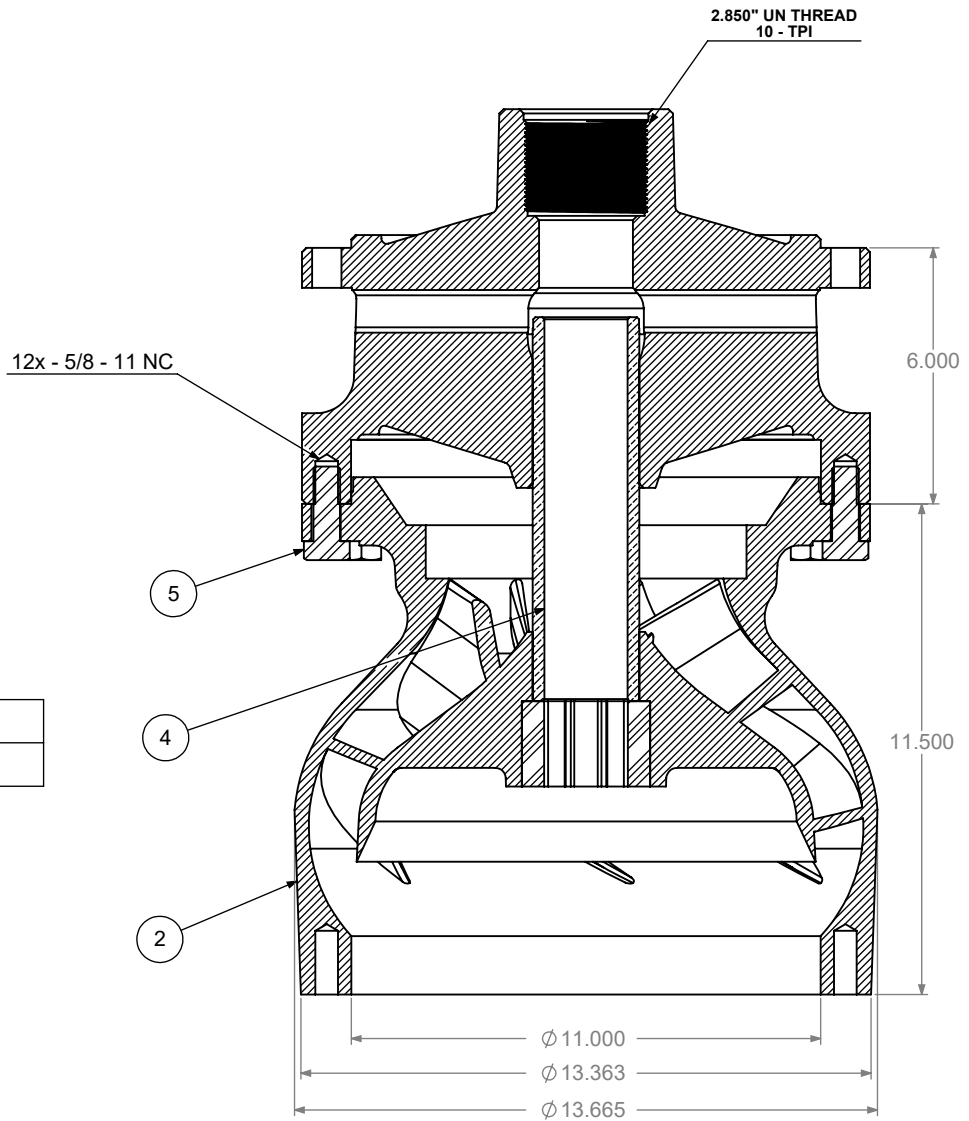
UNLESS OTHERWISE SPECIFIED
DIMENSIONS ARE IN INCHES

Rev: *0.0.0* SHEET 1 OF 1

ASSEMBLY NAME	ASSEMBLY PART No.
Discharge w/ enc. bowl and dual brgs J14 2.5-LH	J1431460
Discharge w/ enc. bowl and dual brgs J14 2.5-RH	J1421360



FOR 1.938" SHAFT



RH = RIGHT HAND
LH = LEFT HAND

BILL OF MATERIALS

ITEM NO.	PART NAME	QTY	PART No.	MATERIAL
1	DISCHARGE CASE J14YC 2.5-LH	1	J1420301	CLASS 40 CAST IRON
2	CLOSED BOWL J14YC COMBINED	1	J1431401	CLASS 40 CAST IRON
3	OCT RUBBER BEARING 1.938 x 3.000 x 2.000	1	CT193840341	B-72-2 NEOPRENE DURO 70A
4	DISCHARGE BEARING 1.938 x 2.500 x 9.000	1	CT193810313	C-844 BRONZE
5	HEX BOLT 0.625 x 1.750	12	GRAL62520451	GRADE 5

OPTIONAL

ITEM NO.	PART NAME	PART No.	MATERIAL
1	DISCHARGE CASE J14YC 2.5-RH	J1421301	CLASS 40 CAST IRON



BOMBAS KLASSEN S.A DE C.V
THIS DRAWING IS THE EXCLUSIVE PROPERTY OF
BOMBAS KLASSEN S.A DE C.V

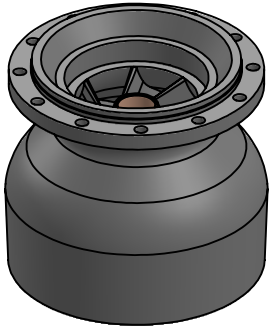
NO USE WHATSOEVER OF THE INFORMATION
CONTAINED HEREON MAY BE USED WITHOUT WRITTEN PERMISSION

DEPARTMENT: *GENERAL*

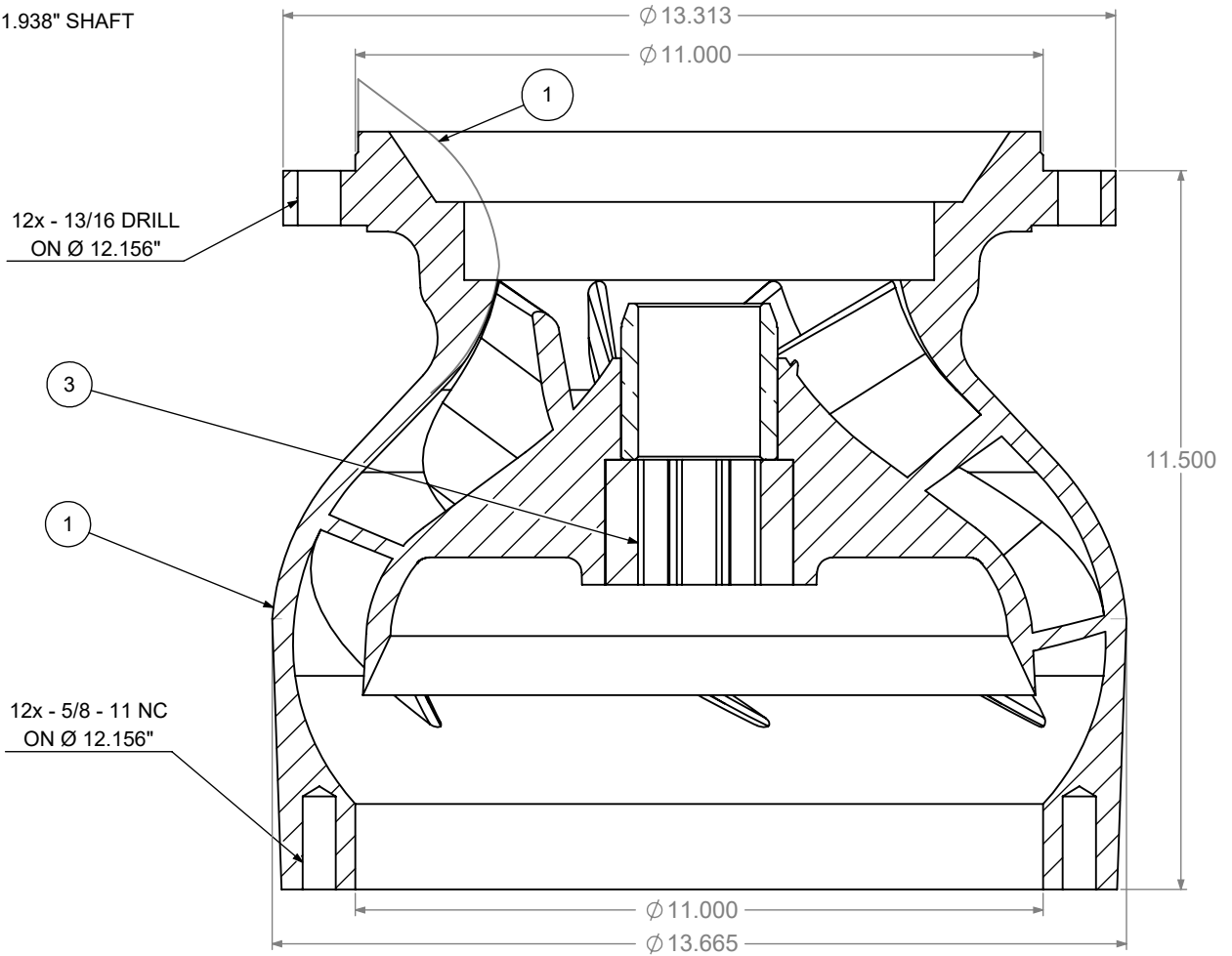
UNLESS OTHERWISE SPECIFIED
DIMENSIONS ARE IN INCHES

Rev: *0.0.0* SHEET 1 OF 1

ASSEMBLY NAME	ASSEMBLY PART No.
Closed Bowl w/ brz brg J14YC	J1431460
Open Bowl w/ brz brg J14YO	J1430460



FOR 1.938" SHAFT



BILL OF MATERIALS

ITEM NO.	PART NAME	QTY	PART No.	MATERIAL
1	CLOSED BOWL J14YC COMBINED	1	J1431401	CLASS 40 CAST IRON
2	BOWL BRONZE BEARING 1.938 x 2.500 x 2.500	1	CT193811213	C-844 BRONZE
3	OCT RUBBER BEARING 1.938 x 3.000 x 2.000	1	CT193840341	B-72-2 NEOPRENE DURO 70A

OPTIONAL

ITEM NO.	PART NAME	PART No.	MATERIAL
1	OPEN BOWL J14YO	J1430401	CLASS 40 CAST IRON
2	RUBBER BEARING 1.938 x 2.500 x 3.625	CTE193840141	B-72-2 NEOPRENE DURO 70A



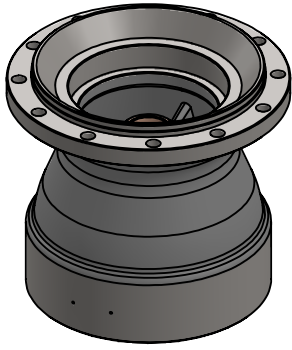
BOMBAS KLASSEN S.A DE C.V
THIS DRAWING IS THE EXCLUSIVE PROPERTY OF
BOMBAS KLASSEN S.A DE C.V

NO USE WHATSOEVER OF THE INFORMATION
CONTAINED HEREON MAY BE USED WITHOUT WRITTEN PERMISSION

DEPARTMENT: *GENERAL*

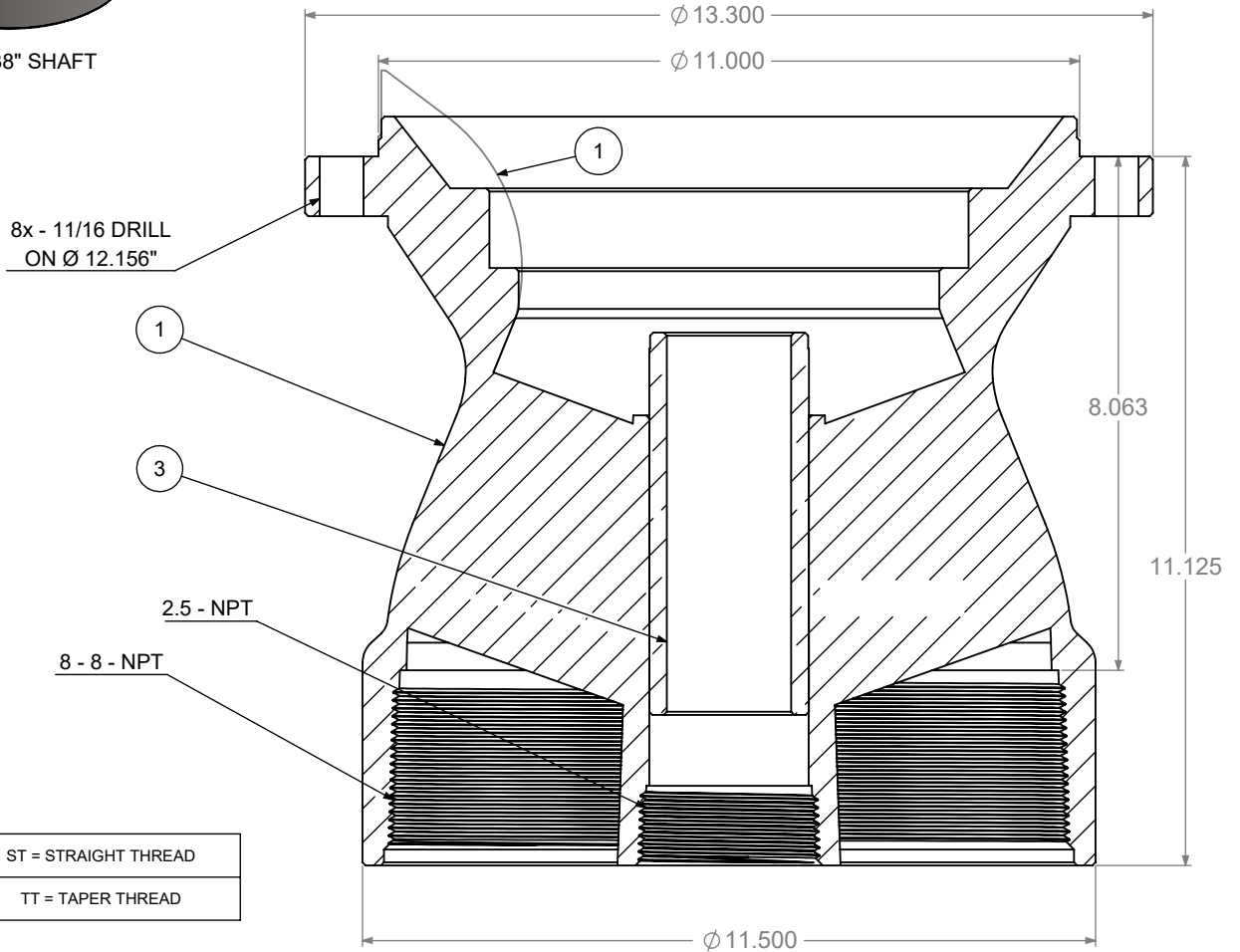
UNLESS OTHERWISE SPECIFIED
DIMENSIONS ARE IN INCHES

Rev: *0.0.0* SHEET 1 OF 1



FOR 1.938" SHAFT

ASSEMBLY NAME	ASSEMBLY PART No.
Suction case w/brz bearing J14YO open 10-ST	J1440960
Suction case w/brz bearing J14YO open 10-TT	J1441060
Suction case w/brz bearing J14YC closed 10-ST	J1441960
Suction case w/brz bearing J14YC closed 10-TT	J1442060



ST = STRAIGHT THREAD
TT = TAPER THREAD

BILL OF MATERIALS

ITEM NO.	PART NAME	QTY	PART No.	MATERIAL
1	SUCTION BOWL J14YO OPEN 10-TT	1	J1441001	CLASS 40 CAST IRON
2	SUCTION BOWL J14YC CLOSED 10-TT	1	J1442001	CLASS 40 CAST IRON
3	SUCTION CASE BEARING 1.938 x 2.814 x 8.000	1	CT193812113	C-844 BRONZE

OPTIONAL

ITEM NO.	PART NAME	PART No.	MATERIAL
1	SUCTION CASE J14YO 8-ST	J1440701	CLASS 40 CAST IRON
2	SUCTION CASE J14YC 8-ST	J1441701	CLASS 40 CAST IRON



BOMBAS KLASSEN S.A DE C.V.
 THIS DRAWING IS THE EXCLUSIVE PROPERTY OF
BOMBAS KLASSEN S.A DE C.V.

NO USE WHATSOEVER OF THE INFORMATION
 CONTAINED HEREON MAY BE USED WITHOUT WRITTEN PERMISSION

DEPARTMENT: <i>GENERAL</i>
Rev: <i>0.0.0</i> SHEET 1 OF 1

UNLESS OTHERWISE SPECIFIED
 DIMENSIONS ARE IN INCHES