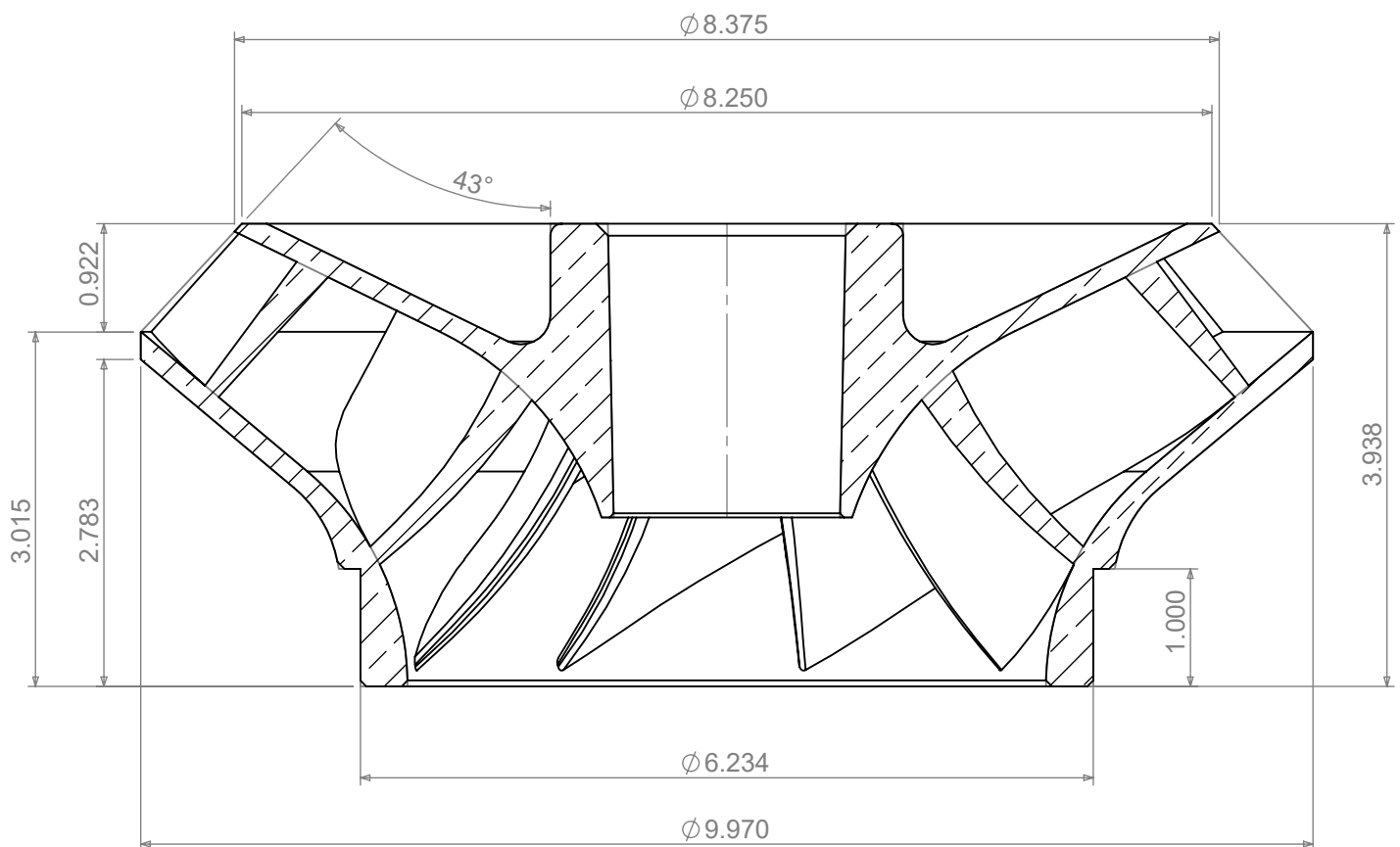


FOR 1.688" SHAFT

NAME	PART No.	MATERIAL
CLOSED IMPELLER J12MC	J1211703	CDA836 Pb RED BRASS
CLOSED IMPELLER J12HC	J1211803	CDA836 Pb RED BRASS



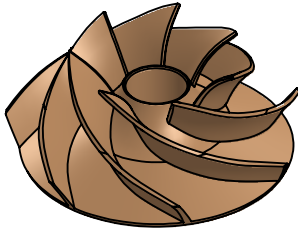
BOMBAS KLASSEN S.A DE C.V
 THIS DRAWING IS THE EXCLUSIVE PROPERTY OF
BOMBAS KLASSEN S.A DE C.V

NO USE WHATSOEVER OF THE INFORMATION
 CONTAINED HEREON MAY BE USED WITHOUT WRITTEN PERMISSION

UNLESS OTHERWISE SPECIFIED
 DIMENSIONS ARE IN INCHES

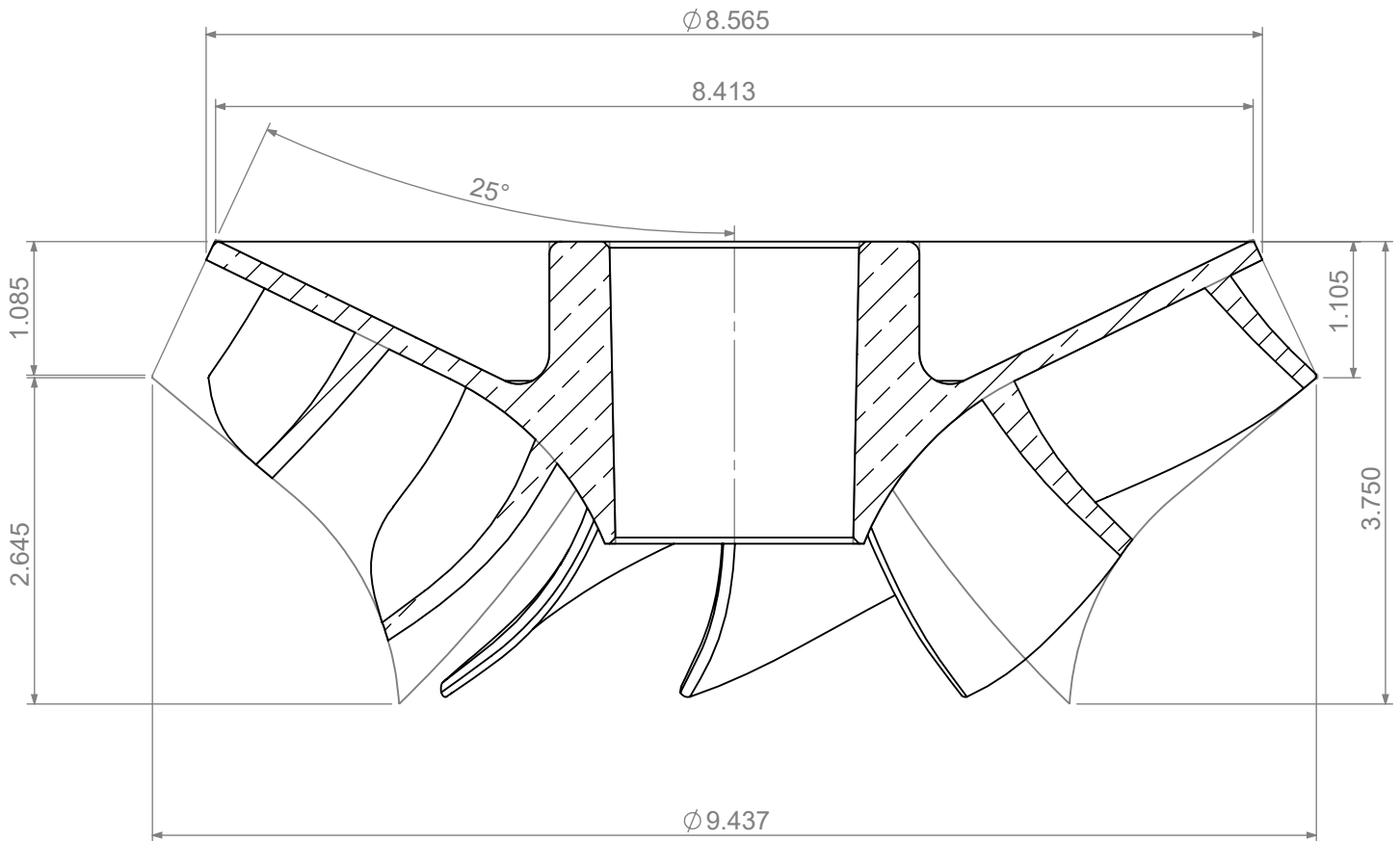
DEPARTMENT: *GENERAL*

Rev: *0.0.0* SHEET 1 OF 1



FOR 1.688" SHAFT

NAME	PART No.	MATERIAL
OPEN IMPELLER J12MO	J1210703	CDA836 Pb RED BRASS
OPEN IMPELLER J12HO	J1210803	CDA836 Pb RED BRASS



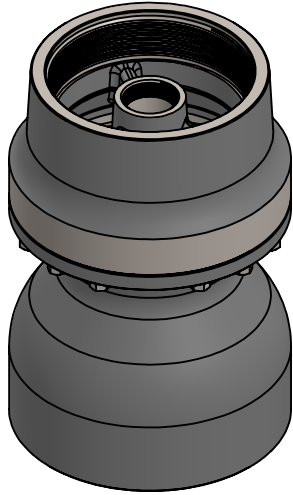
BOMBAS KLASSEN S.A DE C.V
 THIS DRAWING IS THE EXCLUSIVE PROPERTY OF
BOMBAS KLASSEN S.A DE C.V

NO USE WHATSOEVER OF THE INFORMATION
 CONTAINED HEREON MAY BE USED WITHOUT WRITTEN PERMISSION

UNLESS OTHERWISE SPECIFIED
 DIMENSIONS ARE IN INCHES

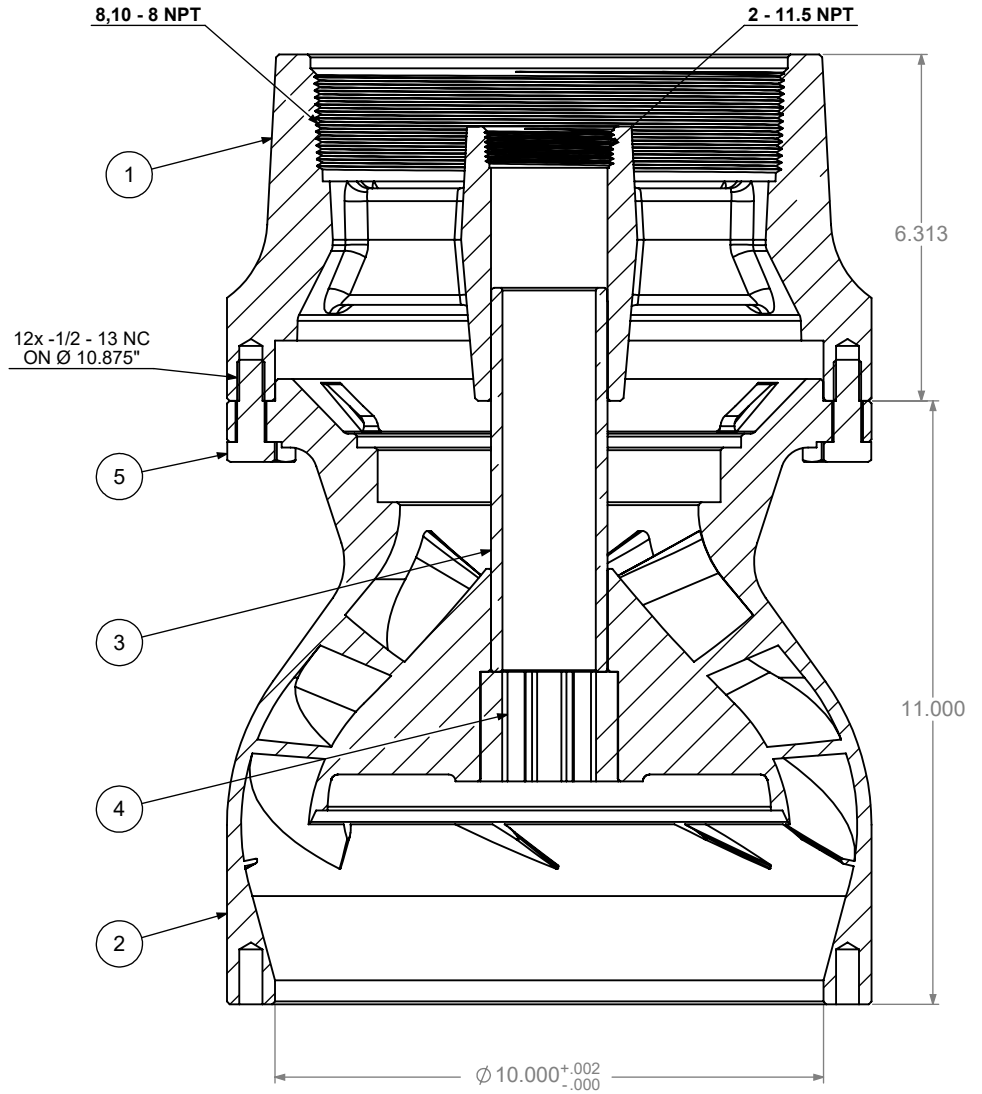
DEPARTMENT: *GENERAL*

Rev: *0.0.0* SHEET 1 OF 1



FOR 1.688" SHAFT

ASSEMBLY NAME	ASSEMBLY PART No.
Sub Column adapter w bowl/brz brg J12 8-TT	J1256260
Sub Column adapter w bowl/brz brg J12 10-TT	J1256460



BILL OF MATERIALS

ITEM NO.	PART NAME	QTY	PART No.	MATERIAL
1	SUB COLUMN ADAPTER J12YC 8-TT	1	J1256201	CLASS 40 CAST IRON
2	CLOSED BOWL J12YC COMBINED	1	J1231401	CLASS 40 CAST IRON
3	DISCHARGE CASE BEARING 1.688	1	CT168810113	C-844 BRONZE
4	OCT RUBBER BEARING 1.688 x 2.500 x 2.000	1	CTE168840441	B-72-2 NEOPRENE DURO 70A
5	HEX BOLT 0.500 x 1.500	12	GRAL50020451	GRADE 5

OPTIONAL

ITEM NO.	PART NAME	PART No.	MATERIAL
1	SUB COLUMN ADAPTER J12Y 10-TT	J1256401	CLASS 40 CAST IRON



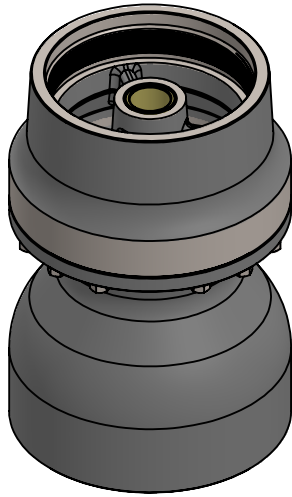
BOMBAS KLASSEN S.A DE C.V
THIS DRAWING IS THE EXCLUSIVE PROPERTY OF
BOMBAS KLASSEN S.A DE C.V

NO USE WHATSOEVER OF THE INFORMATION
CONTAINED HEREON MAY BE USED WITHOUT WRITTEN PERMISSION

DEPARTMENT: *GENERAL*

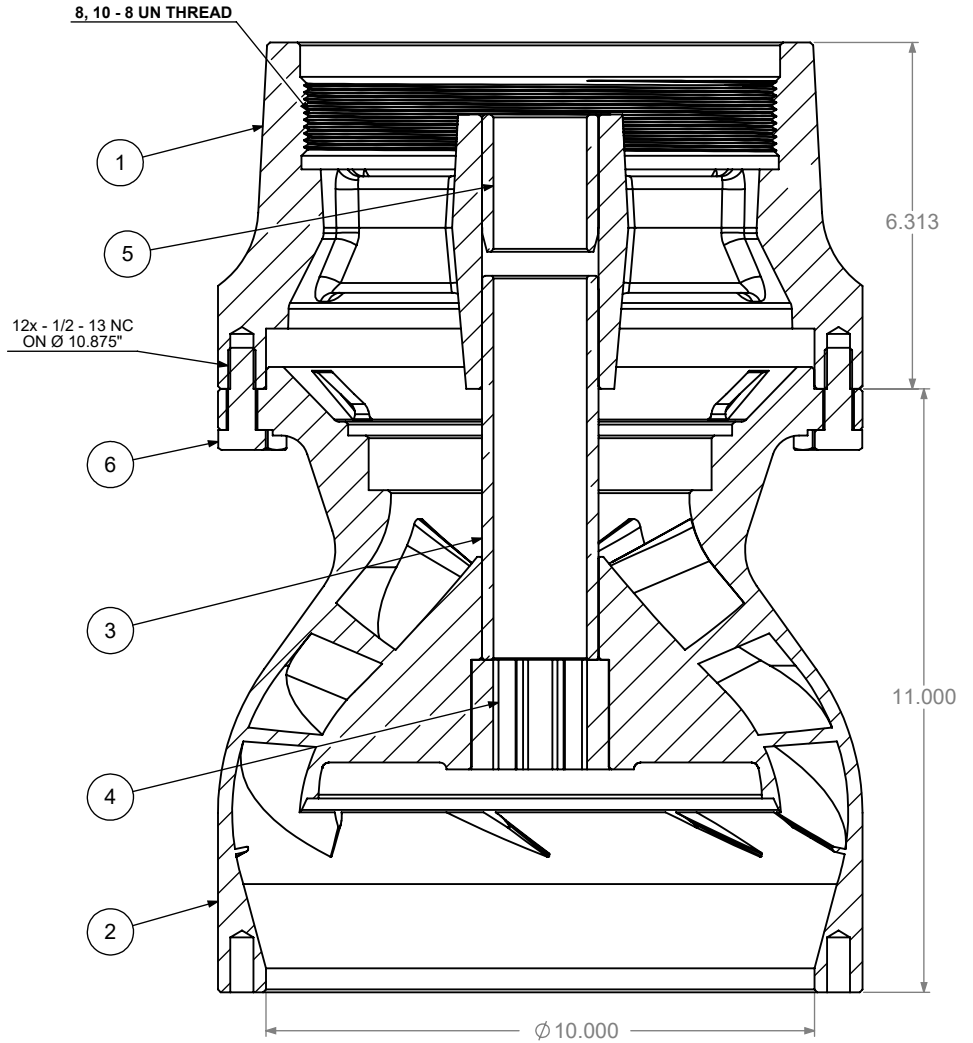
UNLESS OTHERWISE SPECIFIED
DIMENSIONS ARE IN INCHES

Rev: *0.0.0* SHEET 1 OF 1



FOR 1.688" SHAFT

ASSEMBLY NAME	ASSEMBLY PART No.
WL Column adapter w bowl/brz brg J12 8-ST	J1256160
WL Column adapter w bowl/brz brg J12 10-ST	J1256301



BILL OF MATERIALS

ITEM NO.	PART NAME	QTY	PART No.	MATERIAL
1	WL COLUMN ADAPTER J12YC 8-ST	1	J1256101	CLASS 40 CAST IRON
2	CLOSED BOWL J12YC COMBINED	1	J1231401	CLASS 40 CAST IRON
3	DISCHARGE CASE BEARING 1.688	1	CT168810113	C-844 BRONZE
4	OCT RUBBER BEARING 1.688 x 2.500 x 2.000	1	CTE168840441	B-72-2 NEOPRENE DURO 70A
5	BOWL BRONZE BEARING 1.688 x 2.125 x 2.500	1	CT16881513	C-844 BRONZE
6	HEX BOLT 0.500 x 1.500	12	GRAL50020451	GRADE 5

OPTIONAL

ITEM NO.	PART NAME	PART No.	MATERIAL
1	WL COLUMN ADAPTER J12YC 10-ST	J1256301	CLASS 40 CAST IRON



BOMBAS KLASSEN S.A DE C.V
THIS DRAWING IS THE EXCLUSIVE PROPERTY OF
BOMBAS KLASSEN S.A DE C.V

NO USE WHATSOEVER OF THE INFORMATION
CONTAINED HEREON MAY BE USED WITHOUT WRITTEN PERMISSION

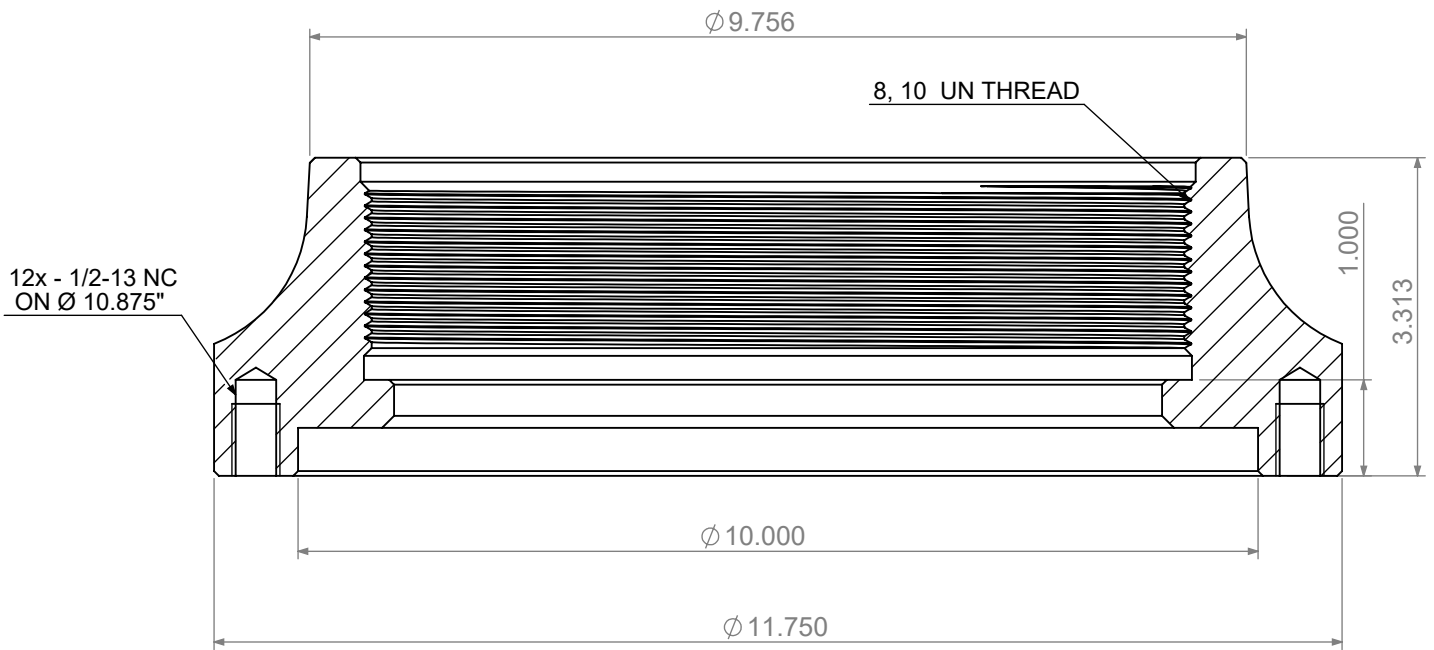
DEPARTMENT: *GENERAL*

UNLESS OTHERWISE SPECIFIED
DIMENSIONS ARE IN INCHES

Rev: *0.0.0* SHEET 1 OF 1



ASSEMBLY NAME	ASSEMBLY PART No.	MATERIAL
Column adapter R12YC 8-ST	J1251101	CLASS 40 CAST IRON
Column adapter R12YC 10-ST	J1251301	CLASS 40 CAST IRON
Column adapter R12YC 8-TT	J1251201	CLASS 40 CAST IRON
Column adapter R12YC 10-TT	J1251401	CLASS 40 CAST IRON



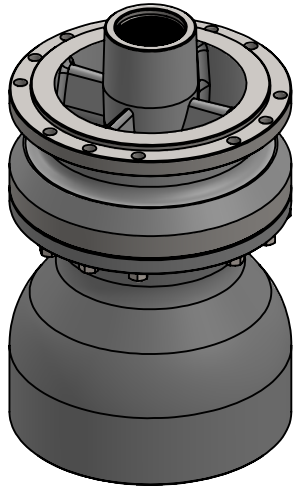
BOMBAS KLASSEN S.A DE C.V
 THIS DRAWING IS THE EXCLUSIVE PROPERTY OF
BOMBAS KLASSEN S.A DE C.V

NO USE WHATSOEVER OF THE INFORMATION
 CONTAINED HEREON MAY BE USED WITHOUT WRITTEN PERMISSION

DEPARTMENT: *GENERAL*

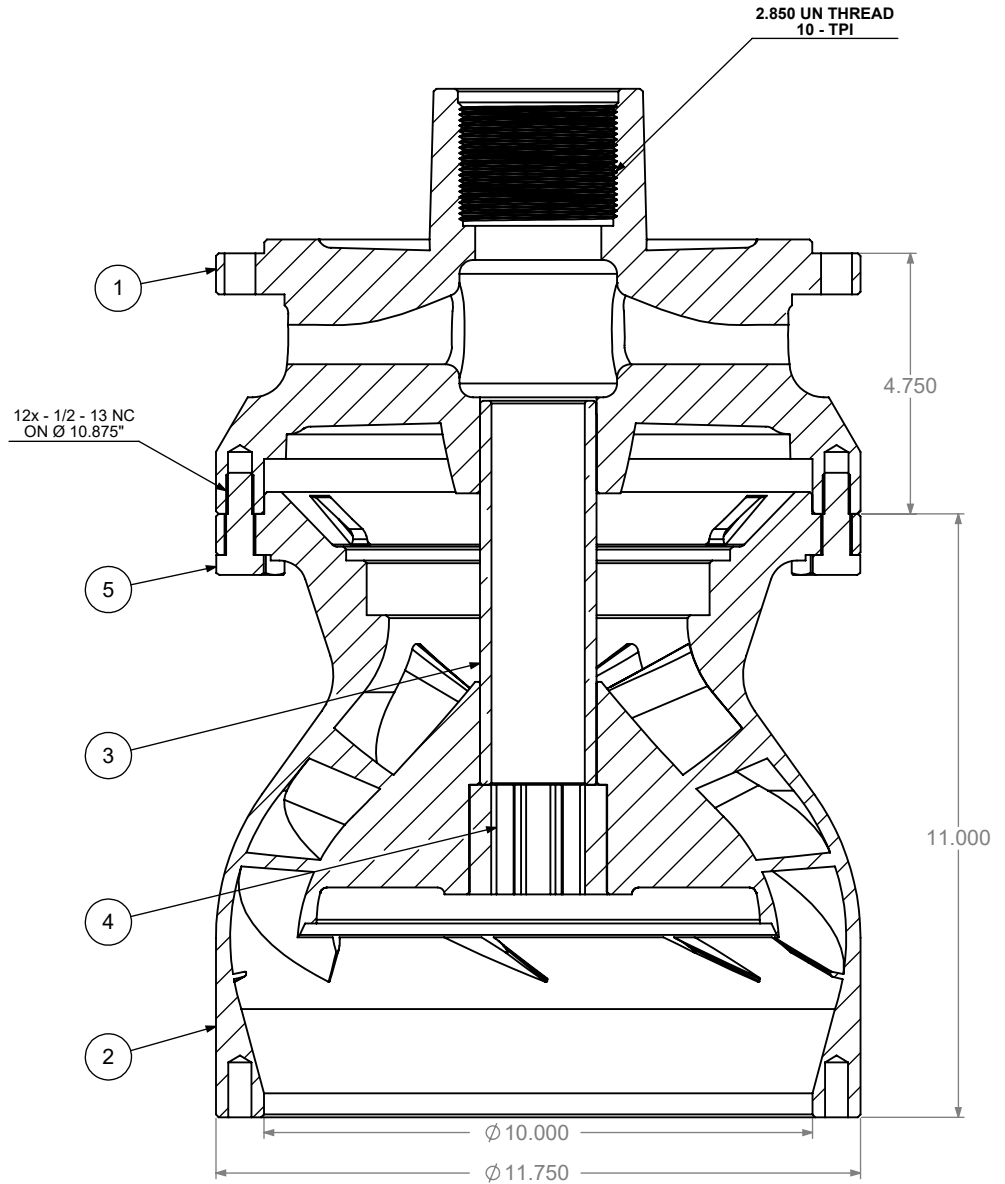
UNLESS OTHERWISE SPECIFIED
 DIMENSIONS ARE IN INCHES

Rev: *0.0.0* SHEET 1 OF 1



FOR 1.688" SHAFT

ASSEMBLY NAME	ASSEMBLY PART No.
Discharge w/ enc. bowl and dual brgs J12 2.5-LH CI	J1222060
Discharge w/ enc. bowl and dual brgs J12 2.5-RH CI	J1222160



RH = RIGHT HAND
LH = LEFT THREAD

BILL OF MATERIALS

ITEM NO.	PART NAME	QTY	PART No.	MATERIAL
1	DISCHARGE CASE J12YC 2.5-LH	1	J1220301	CLASS 40 CAST IRON
2	CLOSED BOWL J12YC COMBINED	1	J1231401	CLASS 40 CAST IRON
3	DISCHARGE CASE BEARING 1.688	1	CT168810113	C-844 BRONZE
4	OCT RUBBER BEARING 1.688 x 2.500 x 2.000	1	CTE168840441	B-72-2 NEOPRENE DURO 70A
5	HEX BOLT 0.500 x 1.500	12	GRAL50020451	GRADE 5

OPTIONAL

ITEM NO.	PART NAME	PART No.	MATERIAL
1	DISCHARGE CASE J12YC 2.5-RH	J1221301	CLASS 40 CAST IRON



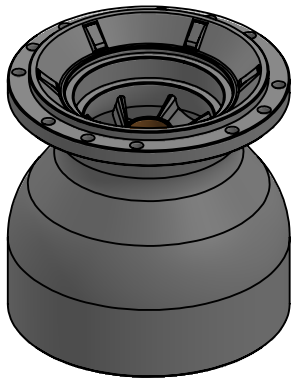
BOMBAS KLASSEN S.A DE C.V
THIS DRAWING IS THE EXCLUSIVE PROPERTY OF
BOMBAS KLASSEN S.A DE C.V

NO USE WHATSOEVER OF THE INFORMATION
CONTAINED HEREON MAY BE USED WITHOUT WRITTEN PERMISSION

DEPARTMENT: *GENERAL*

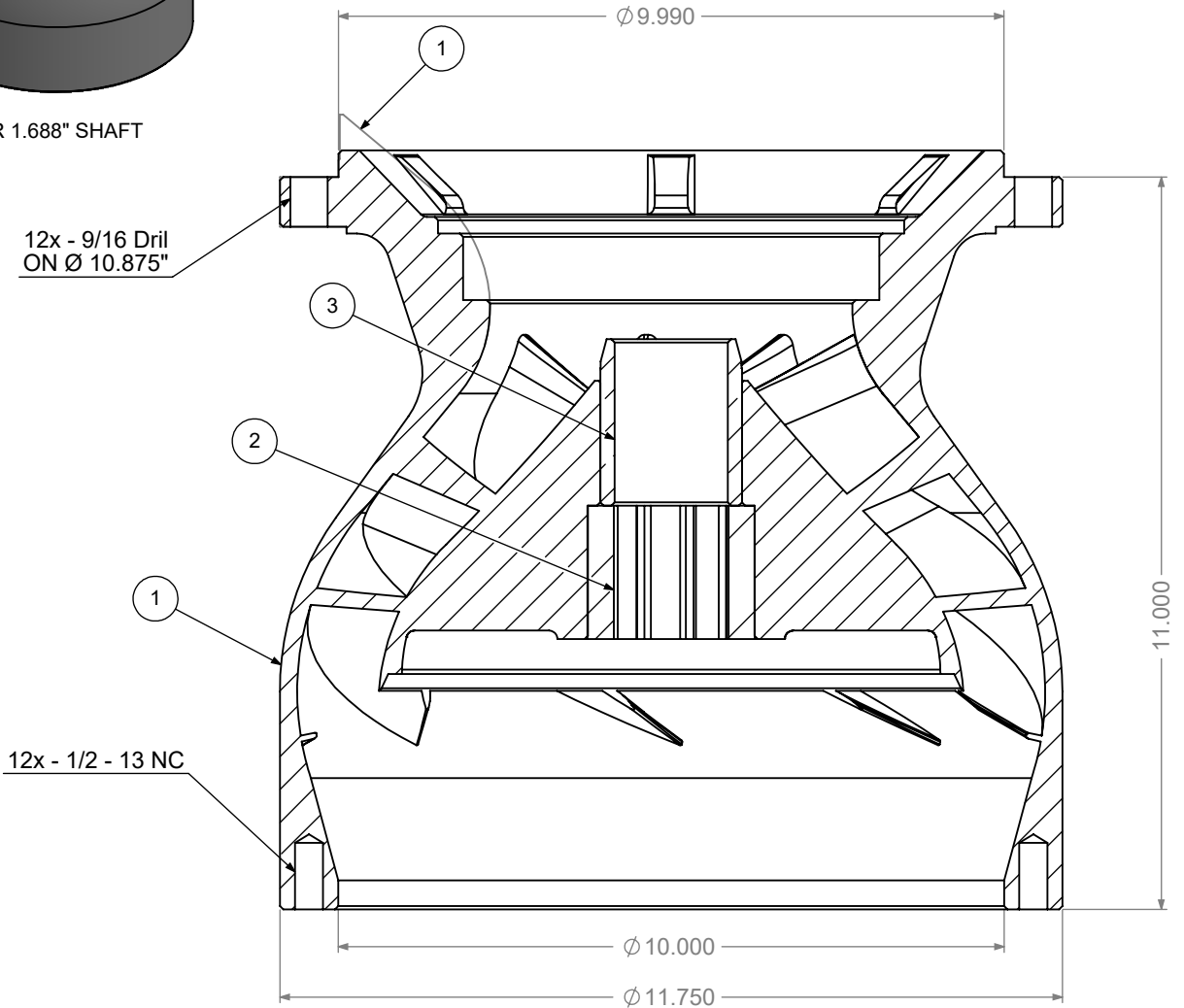
UNLESS OTHERWISE SPECIFIED
DIMENSIONS ARE IN INCHES

Rev: *0.0.0* SHEET 1 OF 1



FOR 1.688" SHAFT

ASSEMBLY NAME	ASSEMBLY PART No.
Closed Bowl w/ dual brgs J12YC CI	J1231460
Open Bowl w/ dual brgs J12YO CI	J1230460



BILL OF MATERIALS

ITEM NO.	PART NAME	QTY	PART No.	MATERIAL
1	CLOSED BOWL J12YC COMBINED	1	J1231401	CLASS 40 CAST IRON
2	OCT RUBBER BEARING 1.688 x 2.500 x 2.000	1	CTE168840441	B-72-2 NEOPRENE DURO 70A
3	BOWL BRONZE BEARING 1.688 x 2.125 x 2.500	1	CT168811513	C-844 BRONZE

OPTIONAL

ITEM NO.	PART NAME	PART No.	MATERIAL
1	OPEN BOWL J12YO COMBINED	J1230401	CLASS 40 CAST IRON



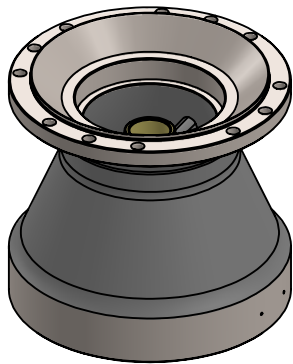
BOMBAS KLASSEN S.A DE C.V
THIS DRAWING IS THE EXCLUSIVE PROPERTY OF
BOMBAS KLASSEN S.A DE C.V

NO USE WHATSOEVER OF THE INFORMATION
CONTAINED HEREON MAY BE USED WITHOUT WRITTEN PERMISSION

DEPARTMENT: *GENERAL*

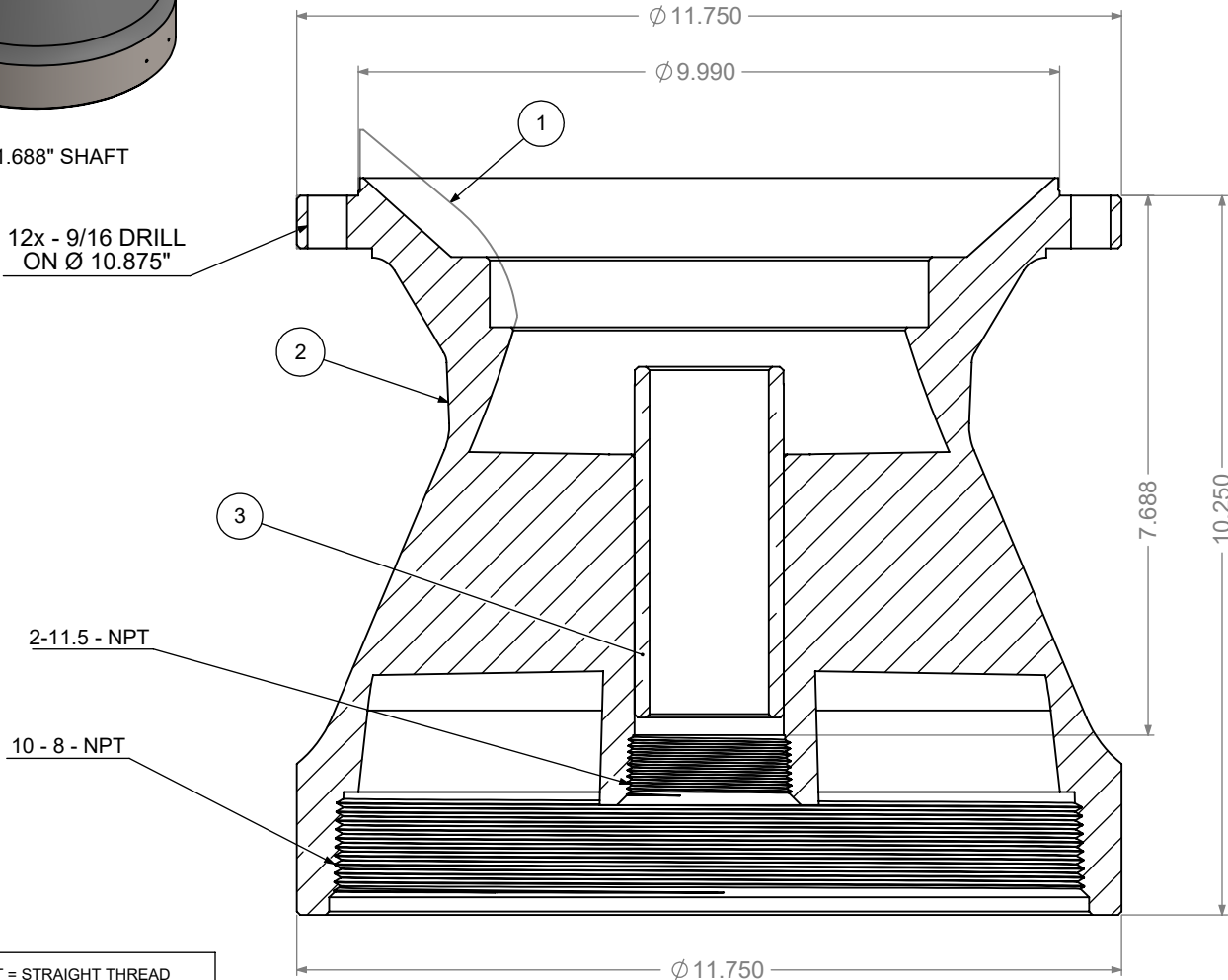
UNLESS OTHERWISE SPECIFIED
DIMENSIONS ARE IN INCHES

Rev: *0.0.0* SHEET 1 OF 1



FOR 1.688" SHAFT

ASSEMBLY NAME	ASSEMBLY PART No.
Suction case w/brz bearing J12YO open 10-ST	J1240960
Suction case w/brz bearing J12YO open 10-TT	J1241060
Suction case w/brz bearing J12YC closed 10-ST	J1241960
Suction case w/brz bearing J12YC closed 10-TT	J1242060



ST = STRAIGHT THREAD
TT = TAPER THREAD

BILL OF MATERIALS

ITEM NO.	PART NAME	QTY	PART No.	MATERIAL
1	SUCTION CASE J12YO 10-TT	1	J1241001	CLASS 40 CAST IRON
2	SUCTION CASE J12YC 10-TT	1	J1242001	CLASS 40 CAST IRON
3	SUCTION CASE BEARING 1.688 x 2.125 x 5.000	1	CT168811213	C-844 BRONZE

OPTIONAL

ITEM NO.	PART NAME	PART No.	MATERIAL
1	SUCTION CASE J12YO 10-ST	J1240901	CLASS 40 CAST IRON
2	SUCTION CASE J12YC 10-ST	J1241901	CLASS 40 CAST IRON



BOMBAS KLASSEN S.A DE C.V.
 THIS DRAWING IS THE EXCLUSIVE PROPERTY OF
BOMBAS KLASSEN S.A DE C.V.

NO USE WHATSOEVER OF THE INFORMATION
 CONTAINED HEREON MAY BE USED WITHOUT WRITTEN PERMISSION

DEPARTMENT: *GENERAL*

UNLESS OTHERWISE SPECIFIED
 DIMENSIONS ARE IN INCHES

Rev: *0.0.0* SHEET 1 OF 1