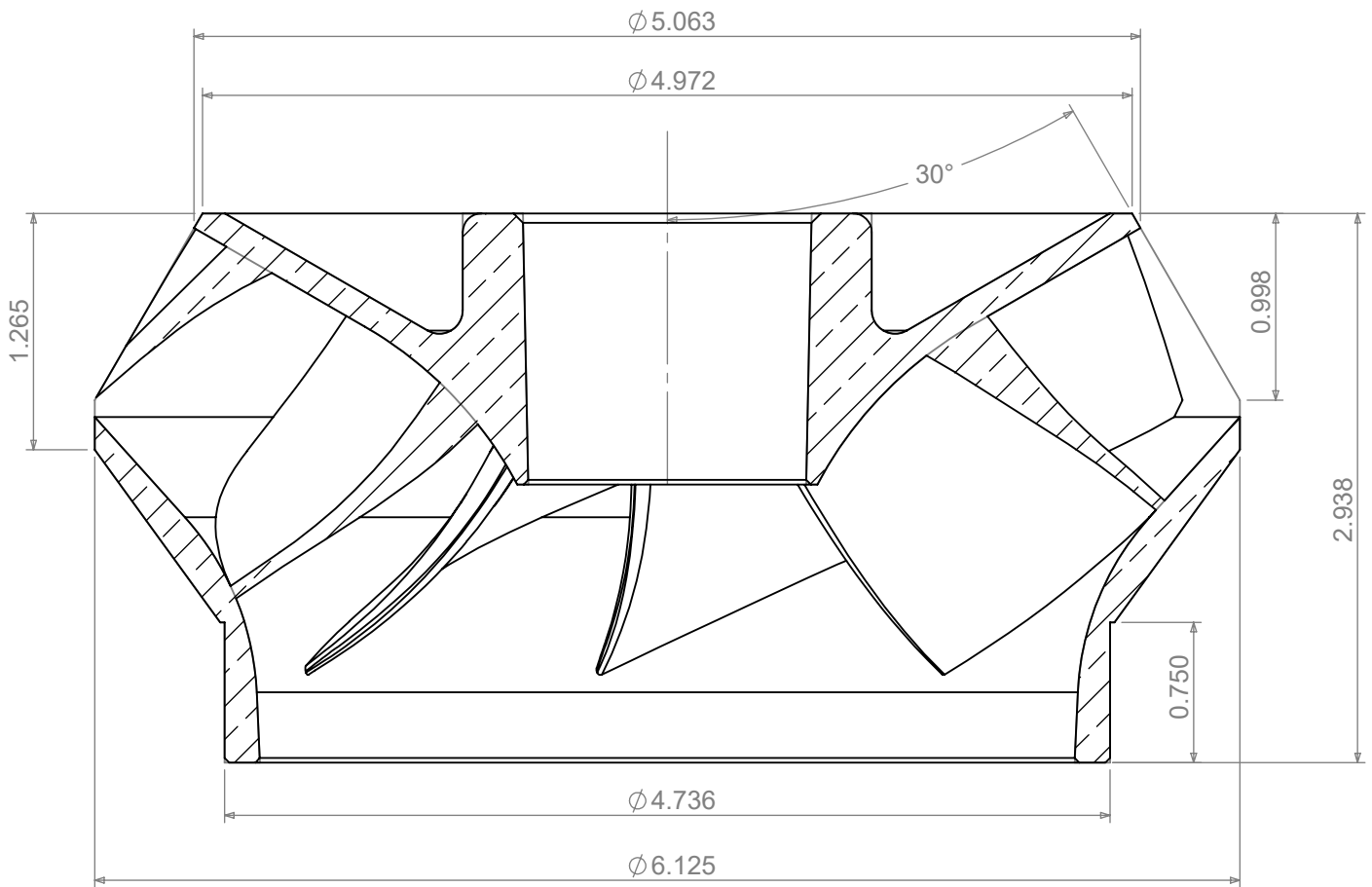


FOR 1.188" SHAFT

NAME	PART No.	MATERIAL
Closed Impeller F8LC	F811503	CDA836 Pb RED BRASS
Closed Impeller F8MC	F811703	CDA836 Pb RED BRASS



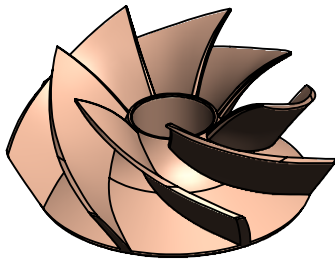
**BOMBAS KLASSEN S.A DE C.V**  
 THIS DRAWING IS THE EXCLUSIVE PROPERTY OF  
**BOMBAS KLASSEN S.A DE C.V**

NO USE WHATSOEVER OF THE INFORMATION  
 CONTAINED HEREON MAY BE USED WITHOUT WRITTEN PERMISSION

DEPARTMENT: *GENERAL*

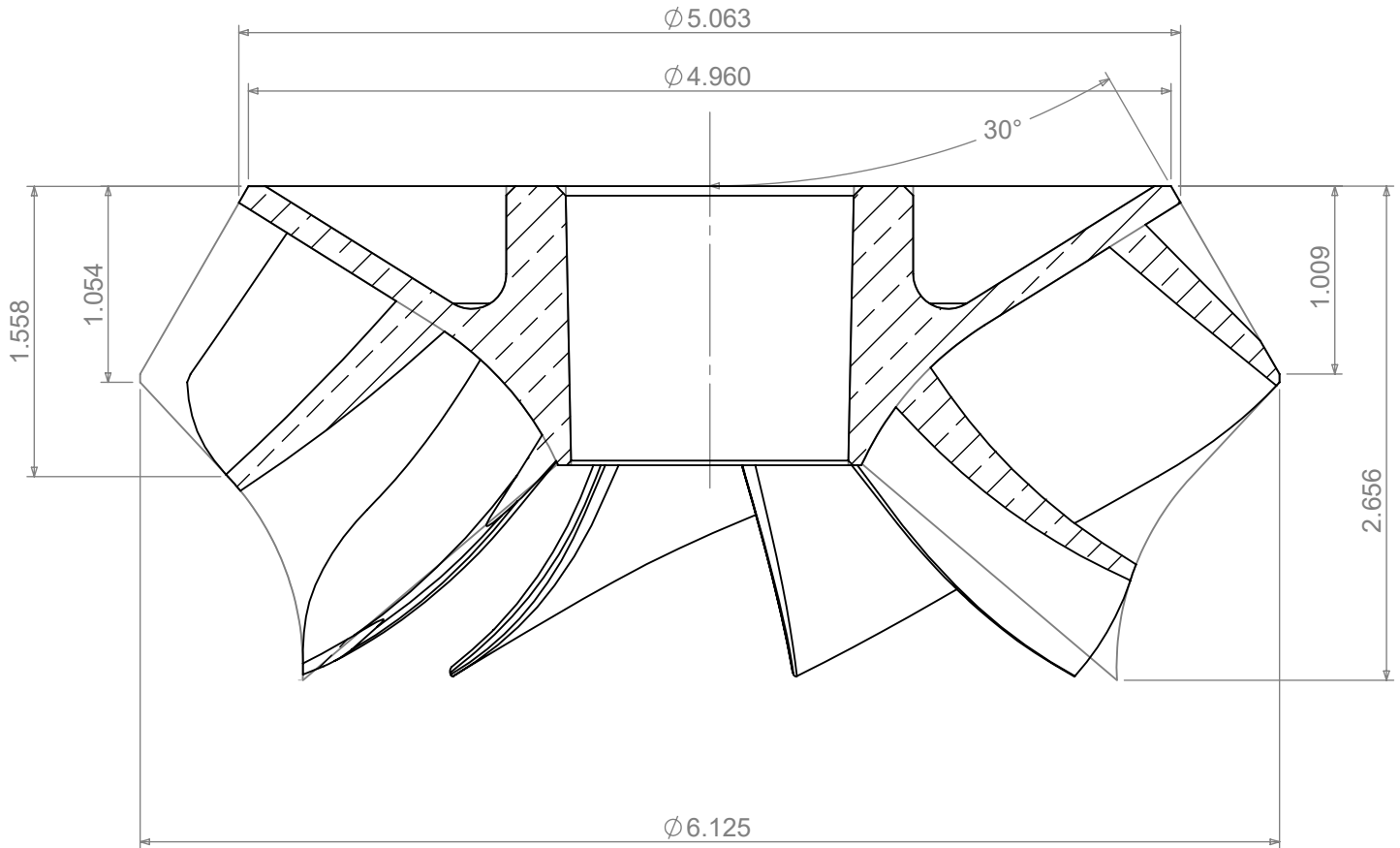
UNLESS OTHERWISE SPECIFIED  
 DIMENSIONS ARE IN INCHES

Rev: *0.0.0* SHEET 1 OF 1



FOR 1.188" SHAFT

NAME	PART No.	MATERIAL
Open Impeller F8LO	F810503	CDA836 Pb RED BRASS
Open Impeller F8MO	F810703	CDA836 Pb RED BRASS



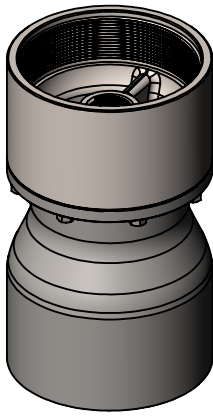
**BOMBAS KLASSEN S.A DE C.V**  
 THIS DRAWING IS THE EXCLUSIVE PROPERTY OF  
**BOMBAS KLASSEN S.A DE C.V**

NO USE WHATSOEVER OF THE INFORMATION  
 CONTAINED HEREON MAY BE USED WITHOUT WRITTEN PERMISSION

DEPARTMENT: *GENERAL*

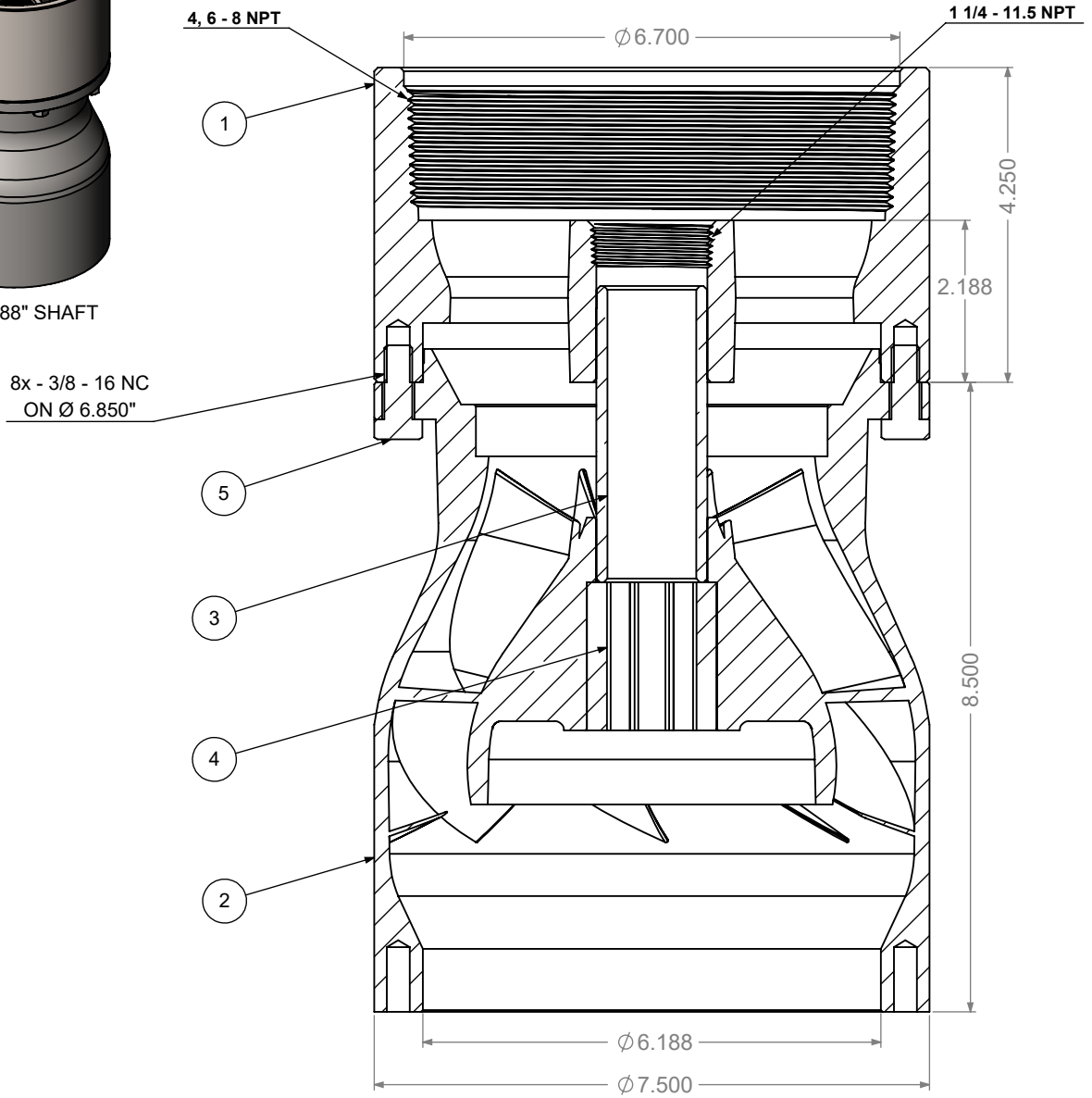
UNLESS OTHERWISE SPECIFIED  
 DIMENSIONS ARE IN INCHES

Rev: *0.0.0* SHEET 1 OF 1



FOR 1.188" SHAFT

ASSEMBLY NAME	ASSEMBLY PART No.
Sub Column adapter w bowl/brz brg F8 4-TT	F855660
Sub Column adapter w bowl/brz brg F8 6-TT	F856060



**BILL OF MATERIALS**

ITEM NO.	PART NAME	QTY	PART No.	MATERIAL
1	SUB COLUMN ADAPTER J8 F8 6TT	1	J856001	CLASS 40 CAST IRON
2	CLOSED BOWL F8YC COMBINED	1	F831401	CLASS 40 CAST IRON
3	DISCHARGE BEARING 1.188 x 1.500 x 4.000	1	CT118810313	C-844 BRONZE
4	OCT RUBBER BEARING 1.188 x 1.750 x 1.750	1	CTE118840641	B-72-2 NEOPRENE DURO 70A
5	HEX BOLT 0.375 x 1.000	8	GRAL37521715	304 STAINLESS STEEL

**OPTIONAL**

ITEM NO.	PART NAME	PART No.	MATERIAL
1	SUB COLUMN ADAPTER J8 F8 4-TT	J855601	CLASS 40 CAST IRON



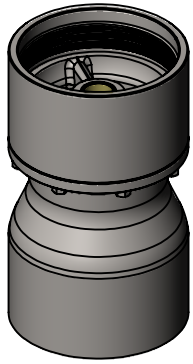
**BOMBAS KLASSEN S.A DE C.V**  
 THIS DRAWING IS THE EXCLUSIVE PROPERTY OF  
**BOMBAS KLASSEN S.A DE C.V**

NO USE WHATSOEVER OF THE INFORMATION  
 CONTAINED HEREON MAY BE USED WITHOUT WRITTEN PERMISSION

DEPARTMENT: *GENERAL*

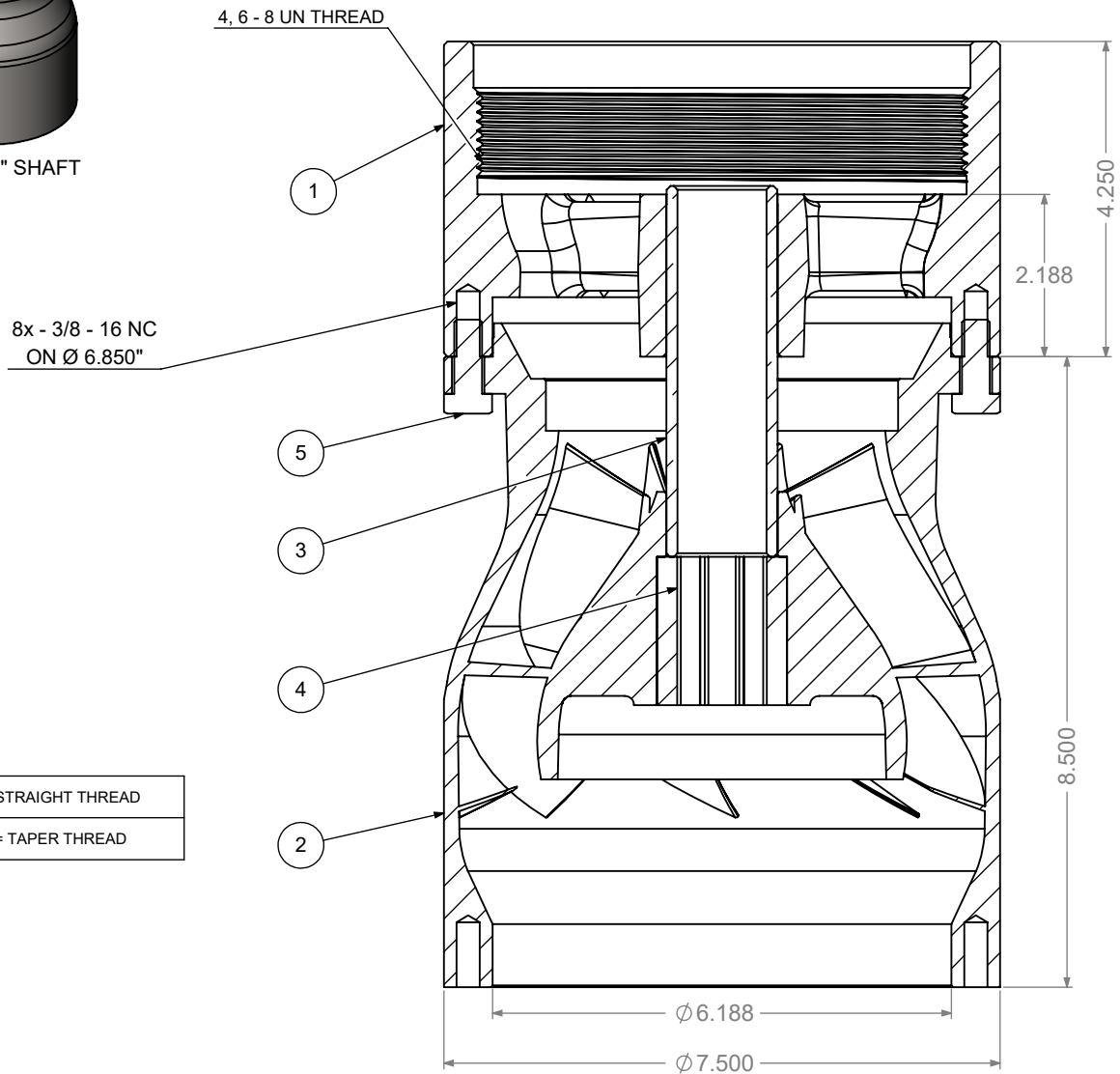
UNLESS OTHERWISE SPECIFIED  
 DIMENSIONS ARE IN INCHES

Rev: *0.0.0* SHEET 1 OF 1



FOR 1.188" SHAFT

ASSEMBLY NAME	ASSEMBLY PART No.
WL Column adapter w bowl/brz brg F8 4-ST	F855560
WL Column adapter w bowl/brz brg F8 6-ST	F855960



ST = STRAIGHT THREAD
TT = TAPER THREAD

**BILL OF MATERIALS**

ITEM NO.	PART NAME	QTY	PART No.	MATERIAL
1	WL COLUMN ADAPTER J8 F8 6ST	1	J855901	CLASS 40 CAST IRON
2	CLOSED BOWL F8YC COMBINED	1	F831401	CLASS 40 CAST IRON
3	DISCHARGE BEARING 1.188 x 1.500 x 5.000	1	CT118810113	C-844 BRONZE
4	OCT RUBBER BEARING 1.188 x 1.750 x 1.750	1	CTE118840641	B-72-2 NEOPRENE DURO 70A
5	HEX BOLT 0.375 x 1.000	8	GRAL37521715	304 STAINLESS STEEL

**OPTIONAL**

ITEM NO.	PART NAME	PART No.	MATERIAL
1	WL COLUMN ADAPTER J8 F8 4-ST	J855501	CLASS 40 CAST IRON



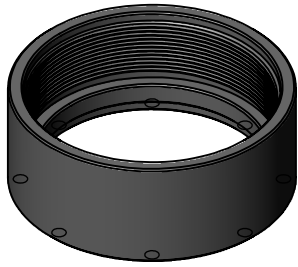
**BOMBAS KLASSEN S.A DE C.V**  
THIS DRAWING IS THE EXCLUSIVE PROPERTY OF  
**BOMBAS KLASSEN S.A DE C.V**

NO USE WHATSOEVER OF THE INFORMATION  
CONTAINED HEREON MAY BE USED WITHOUT WRITTEN PERMISSION

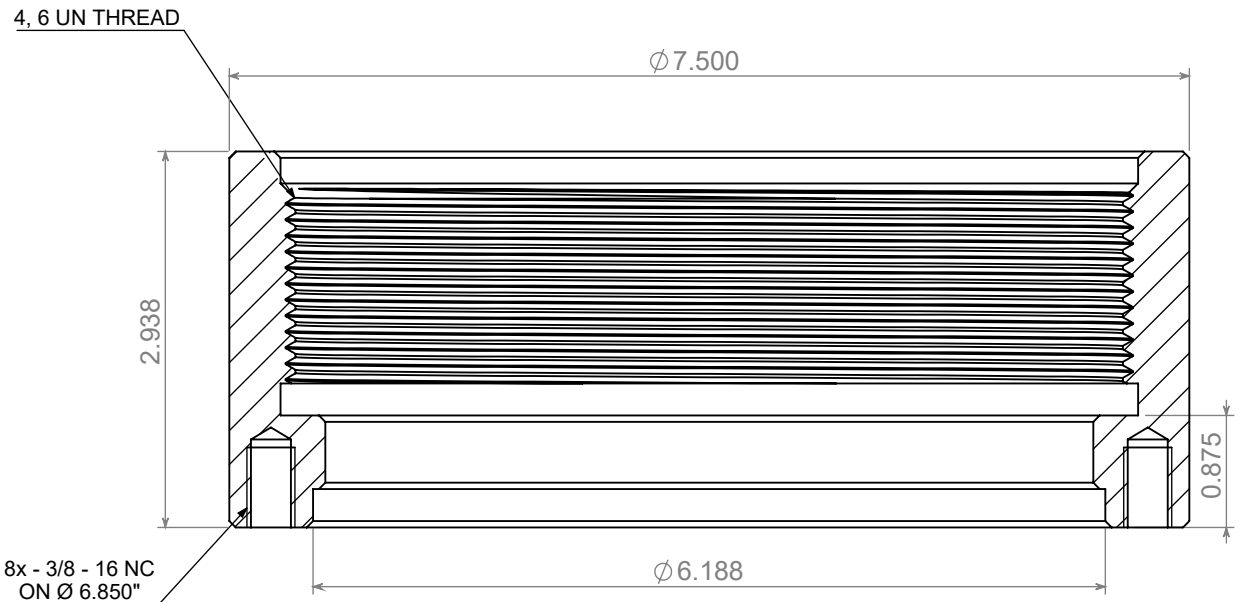
DEPARTMENT: *GENERAL*

UNLESS OTHERWISE SPECIFIED  
DIMENSIONS ARE IN INCHES

Rev: *0.0.0* SHEET 1 OF 1



NAME	PART No.	MATERIAL
Column Adapter J8 F8 YC 4-ST	J850501	CLASS 40 CAST IRON
Column Adapter J8 F8 YC 6-ST	J850901	CLASS 40 CAST IRON
Column Adapter J8 F8 YC 4-TT	J850401	CLASS 40 CAST IRON
Column Adapter J8 F8 YC 6-TT	J851001	CLASS 40 CAST IRON



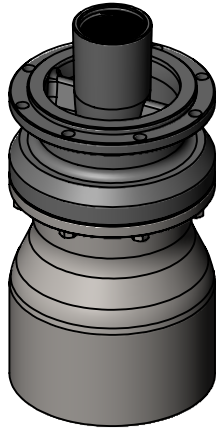
**BOMBAS KLASSEN S.A DE C.V**  
 THIS DRAWING IS THE EXCLUSIVE PROPERTY OF  
**BOMBAS KLASSEN S.A DE C.V**

NO USE WHATSOEVER OF THE INFORMATION  
 CONTAINED HEREON MAY BE USED WITHOUT WRITTEN PERMISSION

DEPARTMENT: *GENERAL*

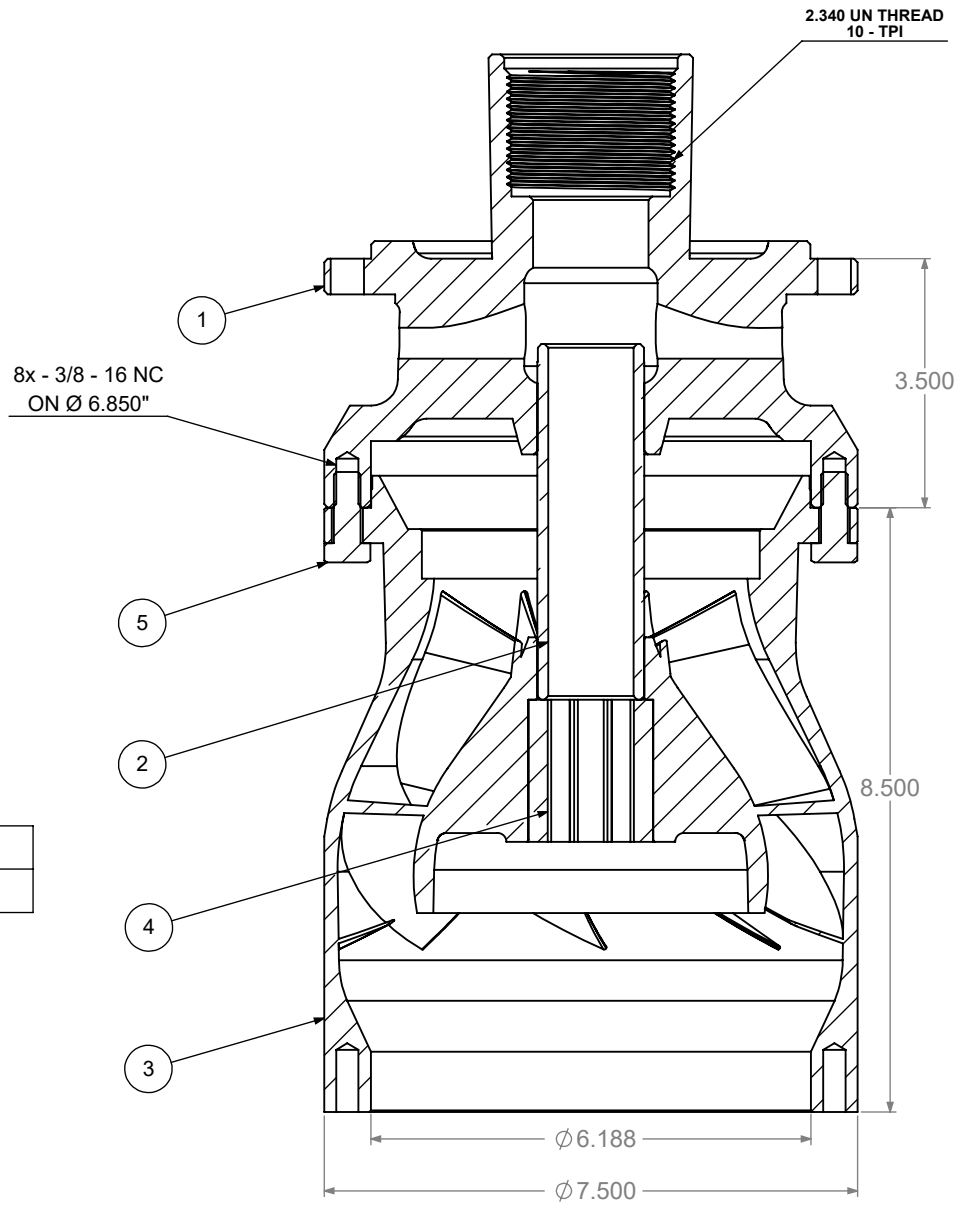
UNLESS OTHERWISE SPECIFIED  
 DIMENSIONS ARE IN INCHES

Rev: *0.0.0* SHEET 1 OF 1



FOR 1.188" SHAFT

ASSEMBLY NAME	ASSEMBLY PART No.
Discharge w/ enc. bowl and dual brgs F8 2-LH CI	F822060
Discharge w/ enc. bowl and dual brgs F8 2-RH CI	F822160



RH = RIGHT HAND
LH = LEFT HAND

**BILL OF MATERIALS**

ITEM NO.	PART NAME	QTY	PART No.	MATERIAL
1	DISCHARGE CASE J8 F8 LH	1	J820201	CLASS 40 CAST IRON
2	DISCHARGE BEARING 1.188 x 1.500 x 5.000	1	CT118810113	C-844 BRONZE
3	CLOSED BOWL F8YC COMBINED	1	F831401	CLASS 40 CAST IRON
4	OCT RUBBER BEARING 1.188 x 1.750 x 1.750	1	CTE118840641	B-72-2 NEOPRENE DURO 70A
5	HEX BOLT 0.375 x 1.000	8	GRAL37521715	304 STAINLESS STEEL

**OPTIONAL**

ITEM NO.	PART NAME	PART No.	MATERIAL
1	DISCHARGE CASE J8 F8 2-RH	J821201	CLASS 40 CAST IRON



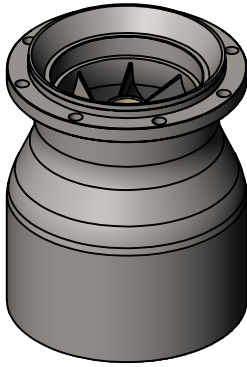
**BOMBAS KLASSEN S.A DE C.V**  
THIS DRAWING IS THE EXCLUSIVE PROPERTY OF  
**BOMBAS KLASSEN S.A DE C.V**

NO USE WHATSOEVER OF THE INFORMATION  
CONTAINED HEREON MAY BE USED WITHOUT WRITTEN PERMISSION

DEPARTMENT: *GENERAL*

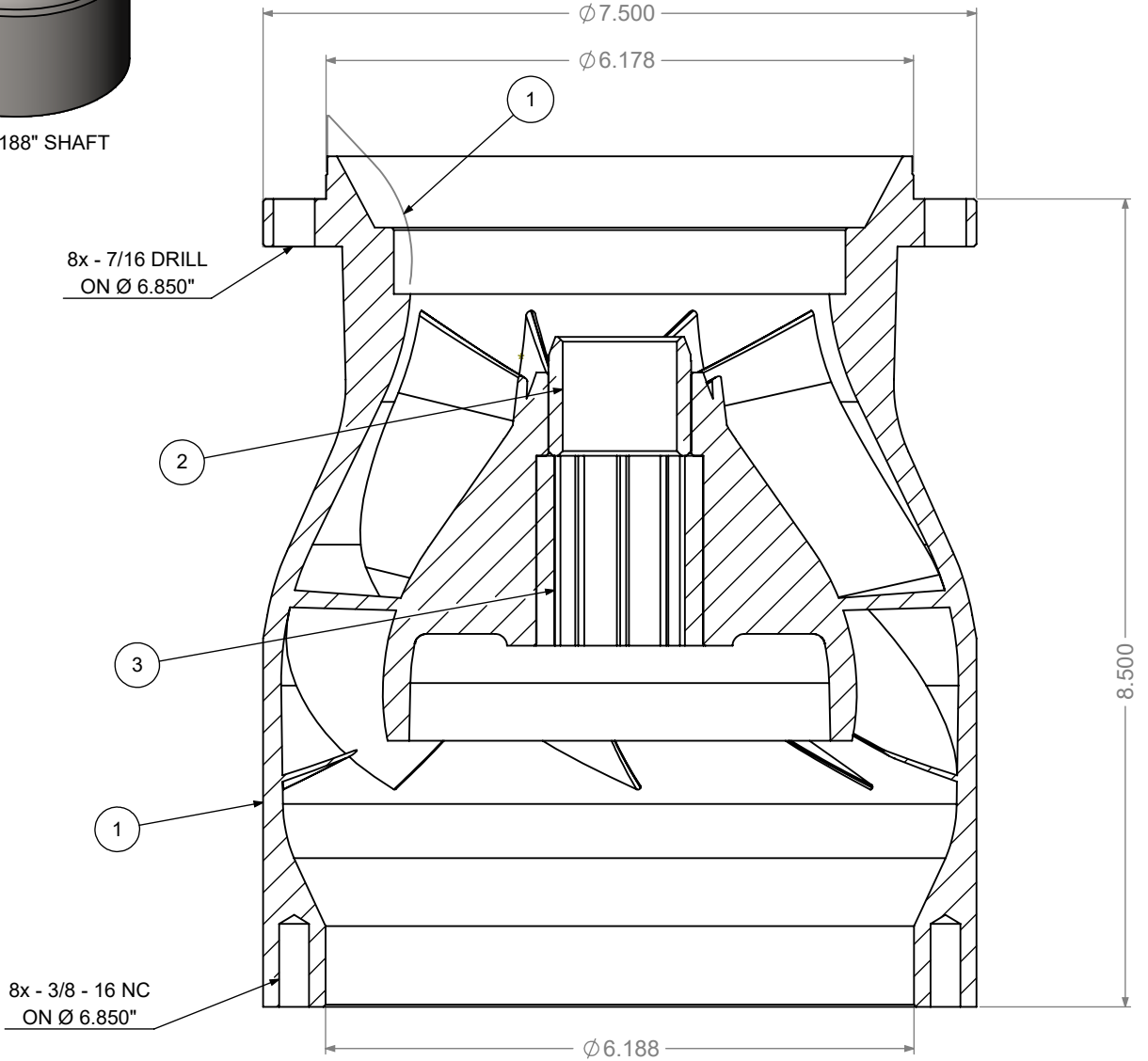
UNLESS OTHERWISE SPECIFIED  
DIMENSIONS ARE IN INCHES

Rev: *0.0.0* SHEET 1 OF 1



FOR 1.188" SHAFT

ASSEMBLY NAME	ASSEMBLY PART No.
Closed Bowl w/ dual brgs F8YC CI	F831460
Open Bowl w/ dual brgs F8YO CI	F830460



**BILL OF MATERIALS**

ITEM NO.	PART NAME	QTY	PART No.	MATERIAL
1	CLOSED BOWL F8YC COMBINED	1	F831401	CLASS 40 CAST IRON
2	BOWL BRONZE BEARING 1.188 x 1.500 x 1.250	1	CT118811213	C-844 BRONZE
3	OCT RUBBER BEARING 1.188 x 1.750 x 1.750	1	CTE118840641	B-72-2 NEOPRENE DURO 70A

**OPTIONAL**

ITEM NO.	PART NAME	PART No.	MATERIAL
1	OPEN BOWL F8YO COMBINED	F830401	CLASS 40 CAST IRON



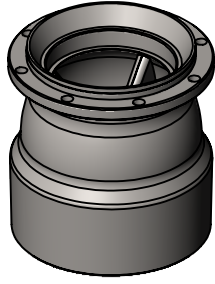
**BOMBAS KLASSEN S.A DE C.V.**  
THIS DRAWING IS THE EXCLUSIVE PROPERTY OF  
**BOMBAS KLASSEN S.A DE C.V.**

NO USE WHATSOEVER OF THE INFORMATION  
CONTAINED HEREON MAY BE USED WITHOUT WRITTEN PERMISSION

DEPARTMENT: *GENERAL*

UNLESS OTHERWISE SPECIFIED  
DIMENSIONS ARE IN INCHES

Rev: *0.0.0* SHEET 1 OF 1



FOR 1.188" SHAFT

ASSEMBLY NAME	ASSEMBLY PART No.
Suction case w/brz bearing F8YO open 6-ST	F840560
Suction case w/brz bearing F8YO open 6-TT	F840660
Suction case w/brz bearing F8YC closed 6-ST	F841560
Suction case w/brz bearing F8YC closed 6-TT	F841660

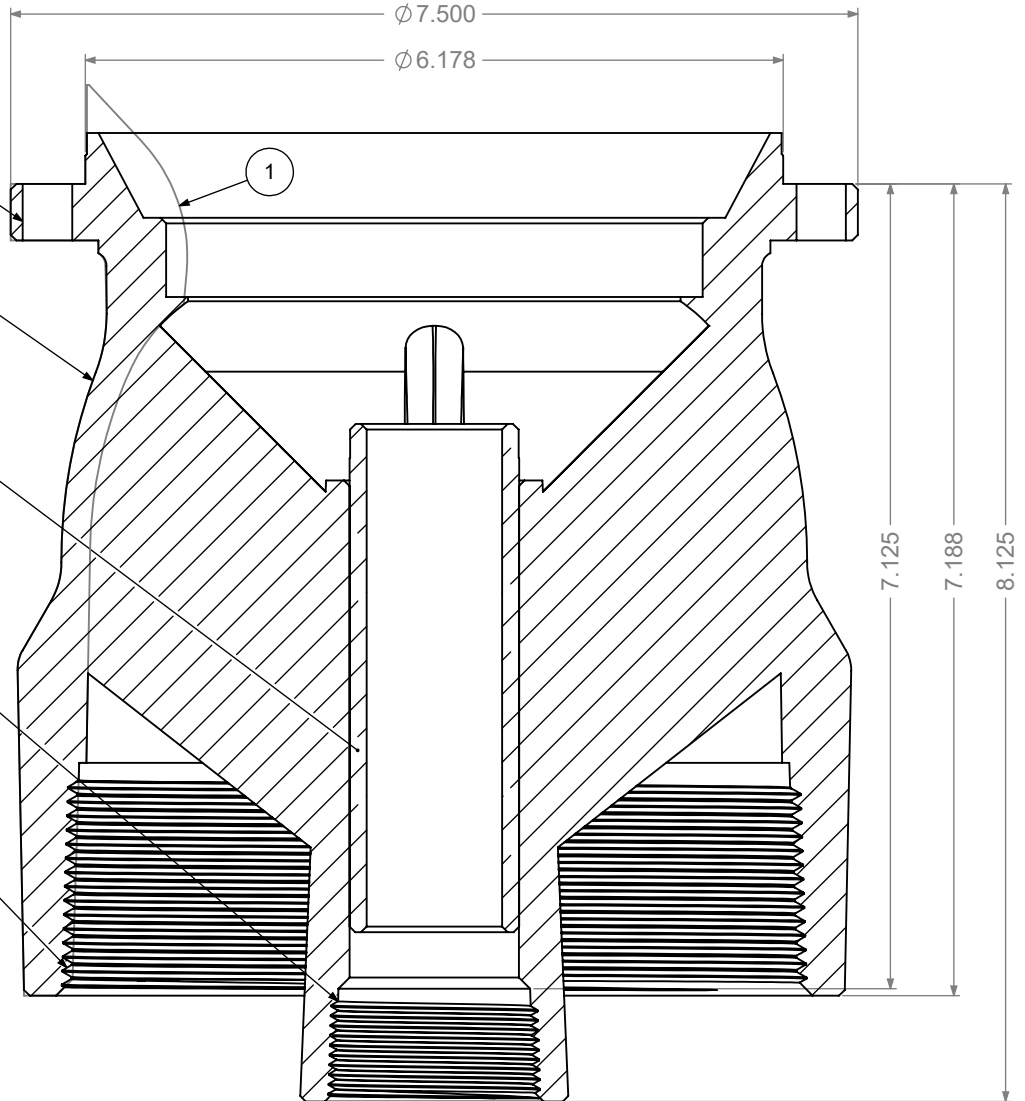
8x - 7/16 DRILL  
ON Ø 6.850"

1 1/2 -11.5 - NPT

6 - 8 - NPT

ST = STRAIGHT THREAD

TT = TAPER THREAD



**BILL OF MATERIALS**

ITEM NO.	PART NAME	QTY	PART No.	MATERIAL
1	SUCTION CASE F8YO 6-TT	1	F840601	CLASS 40 CAST IRON
2	SUCTION CASE F8YC 6-TT	1	F841601	CLASS 40 CAST IRON
3	SUCTION BOWL BEARING 1.188 x 1.500 x 4.500	1	CT118812113	C-844 BRONZE

**OPTIONAL**

ITEM NO.	PART NAME	PART No.	MATERIAL
1	SUCTION CASE F8YO 6-ST	F840501	CLASS 40 CAST IRON
2	SUCTION CASE F8YC 6-ST	F841501	CLASS 40 CAST IRON



**BOMBAS KLASSEN S.A DE C.V**  
THIS DRAWING IS THE EXCLUSIVE PROPERTY OF  
**BOMBAS KLASSEN S.A DE C.V**

NO USE WHATSOEVER OF THE INFORMATION  
CONTAINED HEREON MAY BE USED WITHOUT WRITTEN PERMISSION

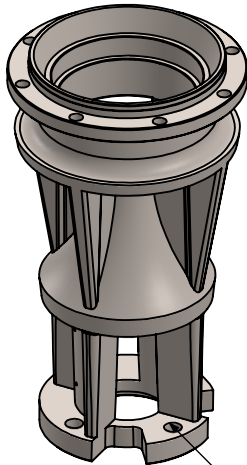
DEPARTMENT: *GENERAL*

UNLESS OTHERWISE SPECIFIED  
DIMENSIONS ARE IN INCHES

Rev: *0.0.0* SHEET 1 OF 1

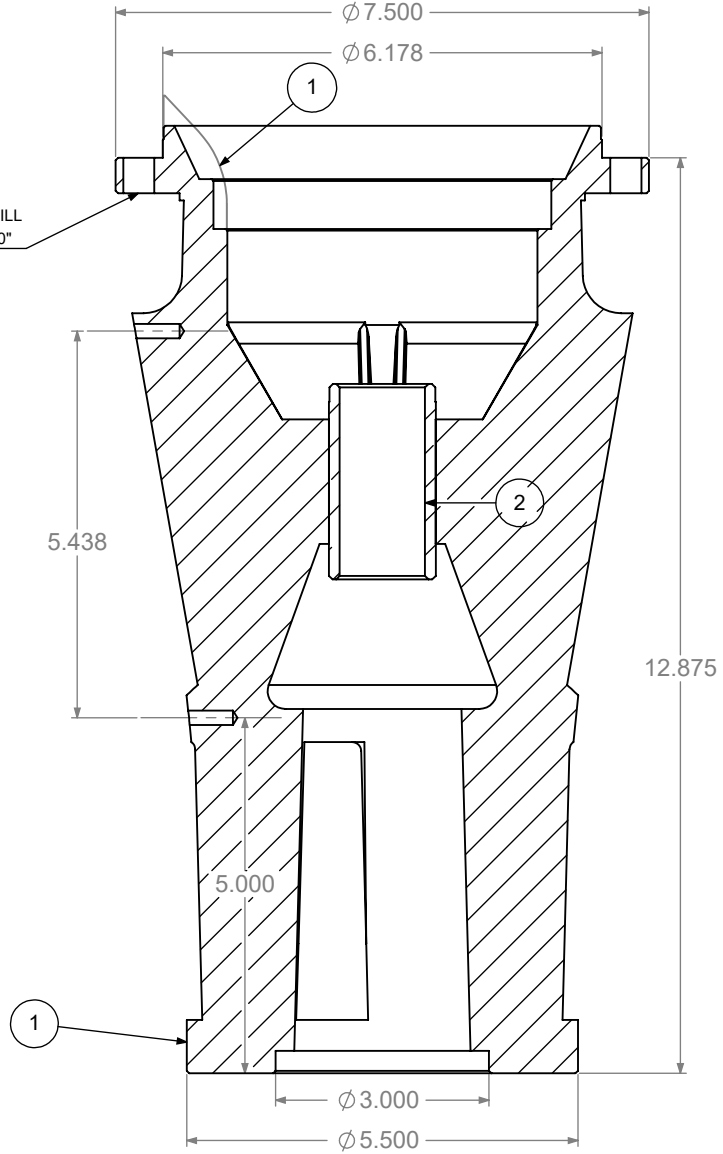


ASSEMBLY NAME	ASSEMBLY PART No.
Suction case w/brz bearing F8YC closed nema 6 CI	F844260
Suction case w/brz bearing F8YO open nema 6 CI	F843260



4x - 9/16 DRILL  
ON Ø 4.375"  
FOR 1.188" SHAFT

8x - 7/16 DRILL  
ON Ø 6.850"



BILL OF MATERIALS

ITEM NO.	PART NAME	QTY	PART No.	MATERIAL
1	SUB SUCTION CASE F8YC NEMA 6	1	F844201	CLASS 40 CAST IRON
2	BOWL BRONZE BEARING 1.188 x 1.500 x 2.750	1	CT118811113	C-844 BRONZE

OPTIONAL

ITEM NO.	PART NAME	PART No.	MATERIAL
1	SUB SUCTION CASE F8YO NEMA 6	F843201	CLASS 40 CAST IRON



**BOMBAS KLASSEN S.A DE C.V**  
THIS DRAWING IS THE EXCLUSIVE PROPERTY OF  
**BOMBAS KLASSEN S.A DE C.V**

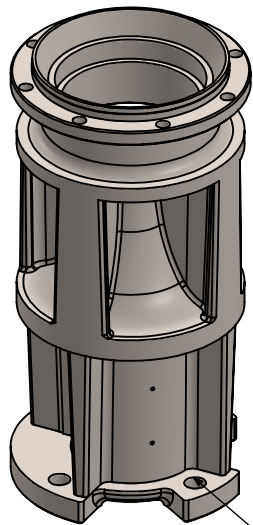
NO USE WHATSOEVER OF THE INFORMATION  
CONTAINED HEREON MAY BE USED WITHOUT WRITTEN PERMISSION

DEPARTMENT: *GENERAL*

UNLESS OTHERWISE SPECIFIED  
DIMENSIONS ARE IN INCHES

Rev: *0.0.0* SHEET 1 OF 1

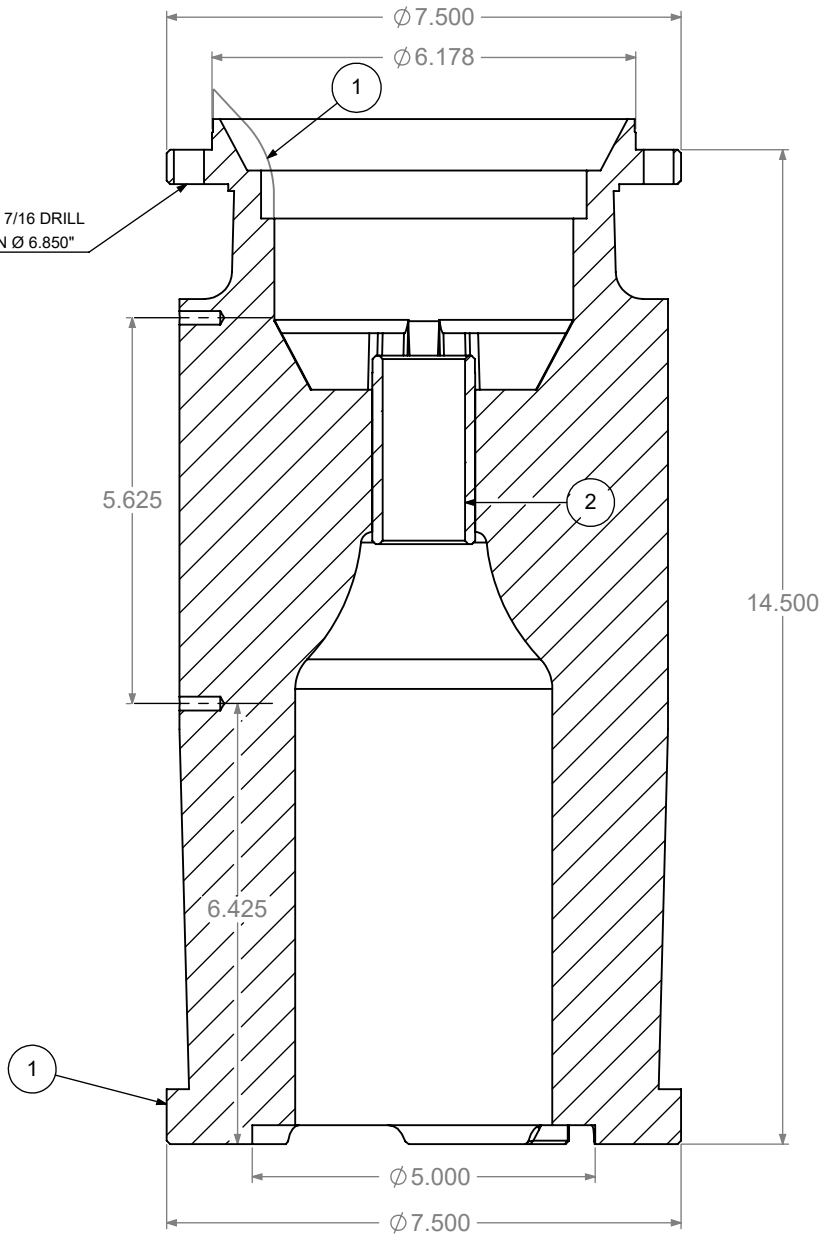
ASSEMBLY NAME	ASSEMBLY PART No.
Suction case w/brz bearing F8YC closed nema 8 CI	F844360
Suction case w/brz bearing F8YO open nema 8 CI	F843360



FOR 1.188" SHAFT

4x - 11/16 DRILL  
ON Ø 6.000

8x - 7/16 DRILL  
ON Ø 6.850"



**BILL OF MATERIALS**

ITEM NO.	PART NAME	QTY	PART No.	MATERIAL
1	SUB SUCTION CASE F8YO NEMA 8	1	F844301	CLASS 40 CAST IRON
2	BOWL BRONZE BEARING 1.188 x 1.500 x 2.750	1	CT118811113	C-844 BRONZE

**OPTIONAL**

ITEM NO.	PART NAME	PART No.	MATERIAL
1	SUB SUCTION CASE F8YO NEMA 8	F843301	CLASS 40 CAST IRON



**BOMBAS KLASSEN S.A DE C.V**  
THIS DRAWING IS THE EXCLUSIVE PROPERTY OF  
**BOMBAS KLASSEN S.A DE C.V**

NO USE WHATSOEVER OF THE INFORMATION  
CONTAINED HEREON MAY BE USED WITHOUT WRITTEN PERMISSION

DEPARTMENT: *GENERAL*

UNLESS OTHERWISE SPECIFIED  
DIMENSIONS ARE IN INCHES

Rev: *0.0.0* SHEET 1 OF 1