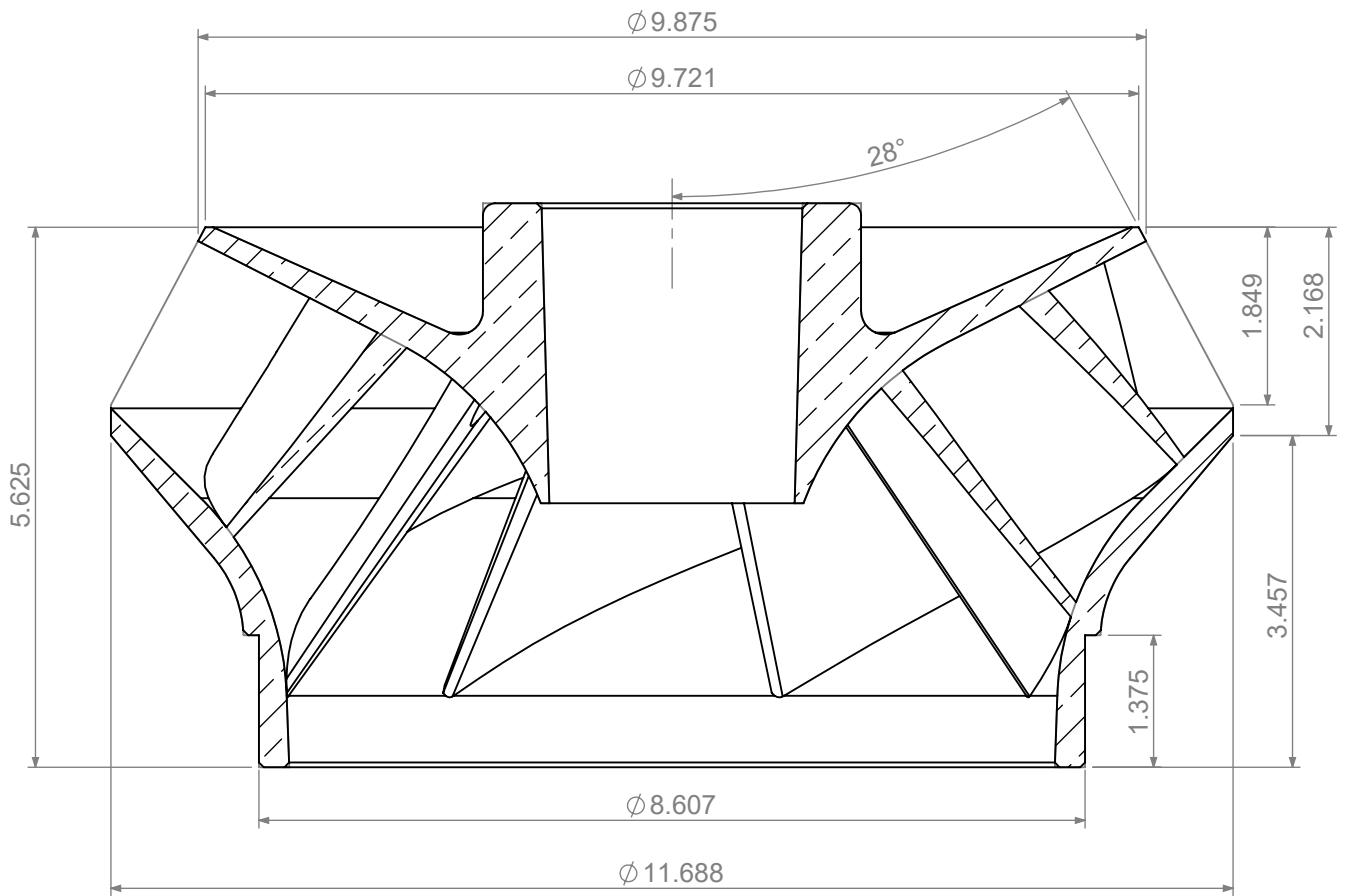


FOR 2.188" SHAFT

NAME	PART No.	MATERIAL
Closed Impeller F14MC	F1411703	CDA836 PB RED BRASS



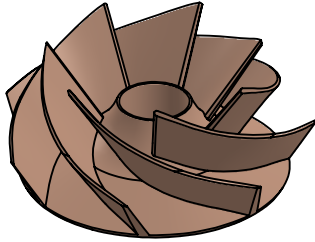
BOMBAS KLASSEN S.A DE C.V
 THIS DRAWING IS THE EXCLUSIVE PROPERTY OF
BOMBAS KLASSEN S.A DE C.V

NO USE WHATSOEVER OF THE INFORMATION
 CONTAINED HEREON MAY BE USED WITHOUT WRITTEN PERMISSION

UNLESS OTHERWISE SPECIFIED
 DIMENSIONS ARE IN INCHES

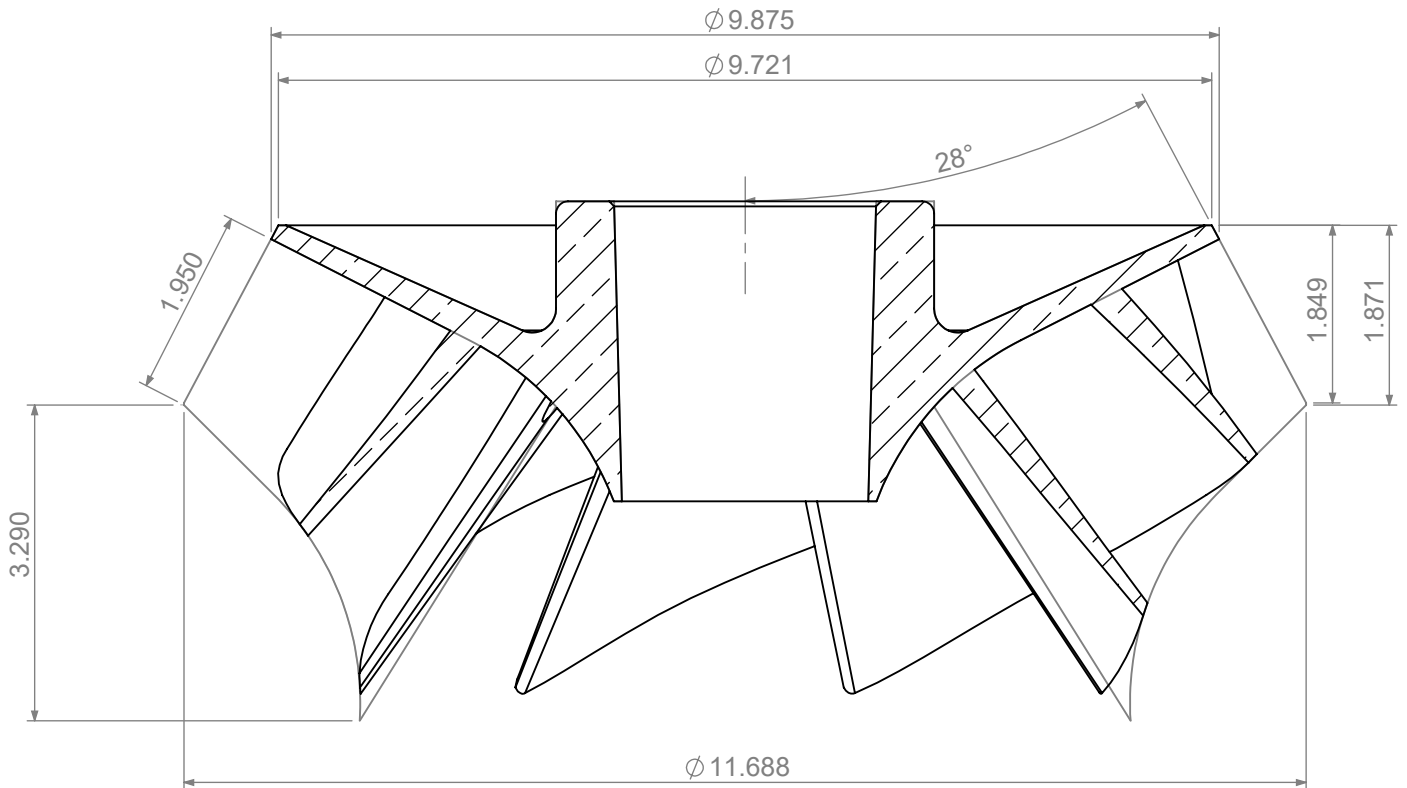
DEPARTMENT: *GENERAL*

Rev: *0.0.0* SHEET 1 OF 1



FOR 2.188" SHAFT

NAME	PART No.	MATERIAL
Open Impeller F14YC	F1410703	CDA836 Pb RED BRASS



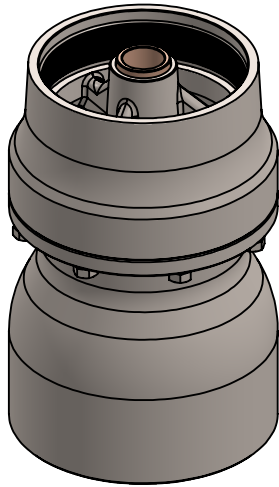
BOMBAS KLASSEN S.A DE C.V
 THIS DRAWING IS THE EXCLUSIVE PROPERTY OF
BOMBAS KLASSEN S.A DE C.V

NO USE WHATSOEVER OF THE INFORMATION
 CONTAINED HEREON MAY BE USED WITHOUT WRITTEN PERMISSION

UNLESS OTHERWISE SPECIFIED
 DIMENSIONS ARE IN INCHES

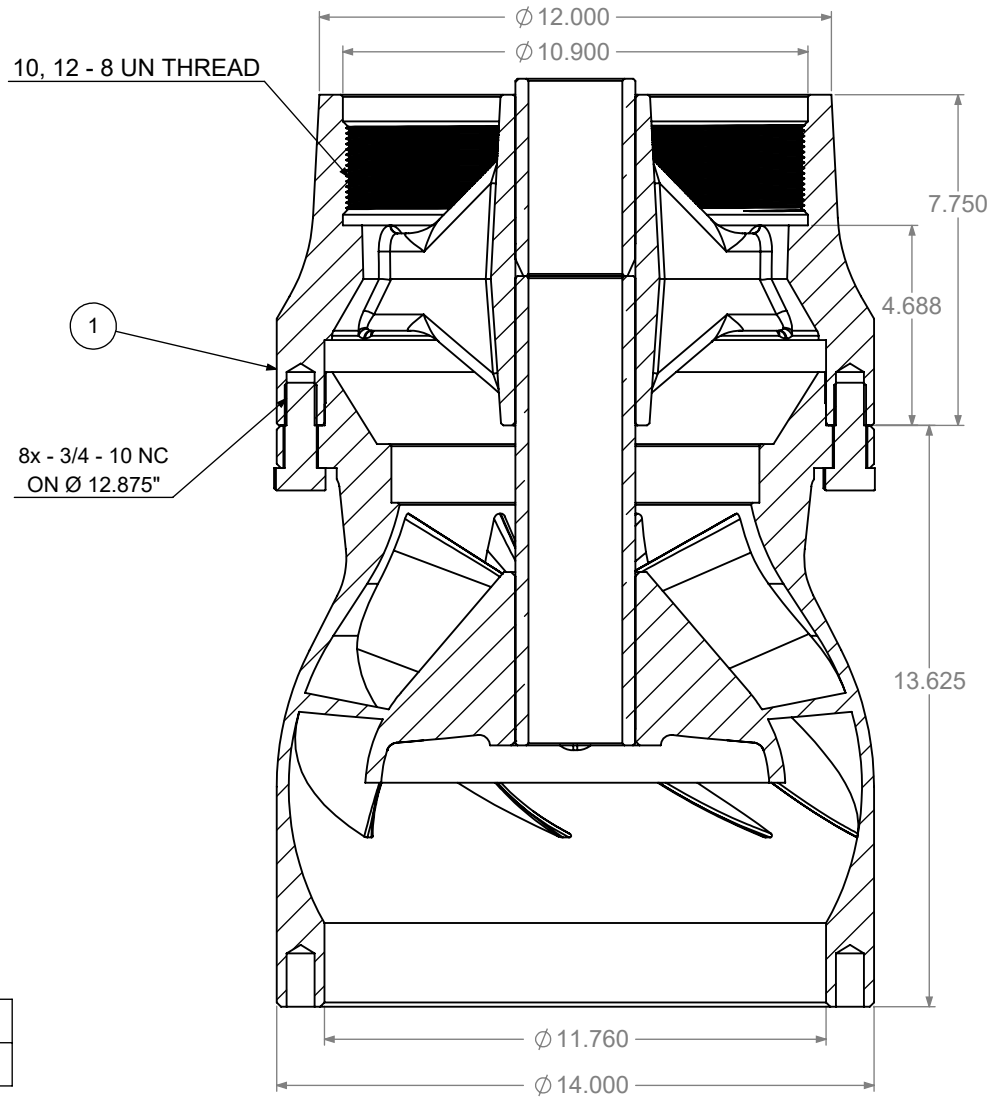
DEPARTMENT: *GENERAL*

Rev: *0.0.0* SHEET 1 OF 1



FOR 2.188" SHAFT

ASSEMBLY NAME	ASSEMBLY PART No.
WL Column adapter w/brz brg F14 2-3/16" 10-ST	F1456360
WL Column adapter w/brz brg F14 2-3/16" 12-ST	F1456560



ST = STRAIGHT THREAD
TT = TAPER THREAD

BILL OF MATERIALS

ITEM NO.	PART NAME	QTY	PART No.	MATERIAL
1	WL COLUMN ADAPTER F14YC 2.188 10-ST	1	F1456301	CLASS 40 CAST IRON
2	INF BRONZE INTER BOWL F14YC 2.188	1	F1431301	CLASS 40 CAST IRON
3	SUCTION CASE BEARING 2.188 x 2.814 x 8.000	1	CT218812113	C-844 BRONZE
4	INTER BRONZE BEARING 2.188 x 2.814 x 4.625	1	CT218811213	C-844 BRONZE
5	HEX BOLT 0.750 x 2.000	8	GRAL21951	GRADE 5

OPTIONAL

ITEM NO.	PART NAME	PART No.	MATERIAL
1	WL COLUMN ADAPTER F14YC 2.188 12-ST	F1456501	CLASS 40 CAST IRON



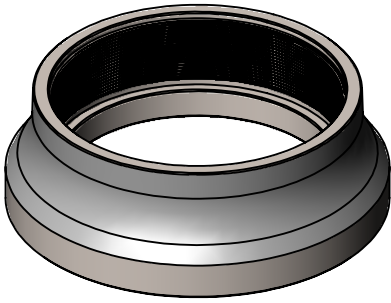
BOMBAS KLASSEN S.A DE C.V
THIS DRAWING IS THE EXCLUSIVE PROPERTY OF
BOMBAS KLASSEN S.A DE C.V

NO USE WHATSOEVER OF THE INFORMATION
CONTAINED HEREON MAY BE USED WITHOUT WRITTEN PERMISSION

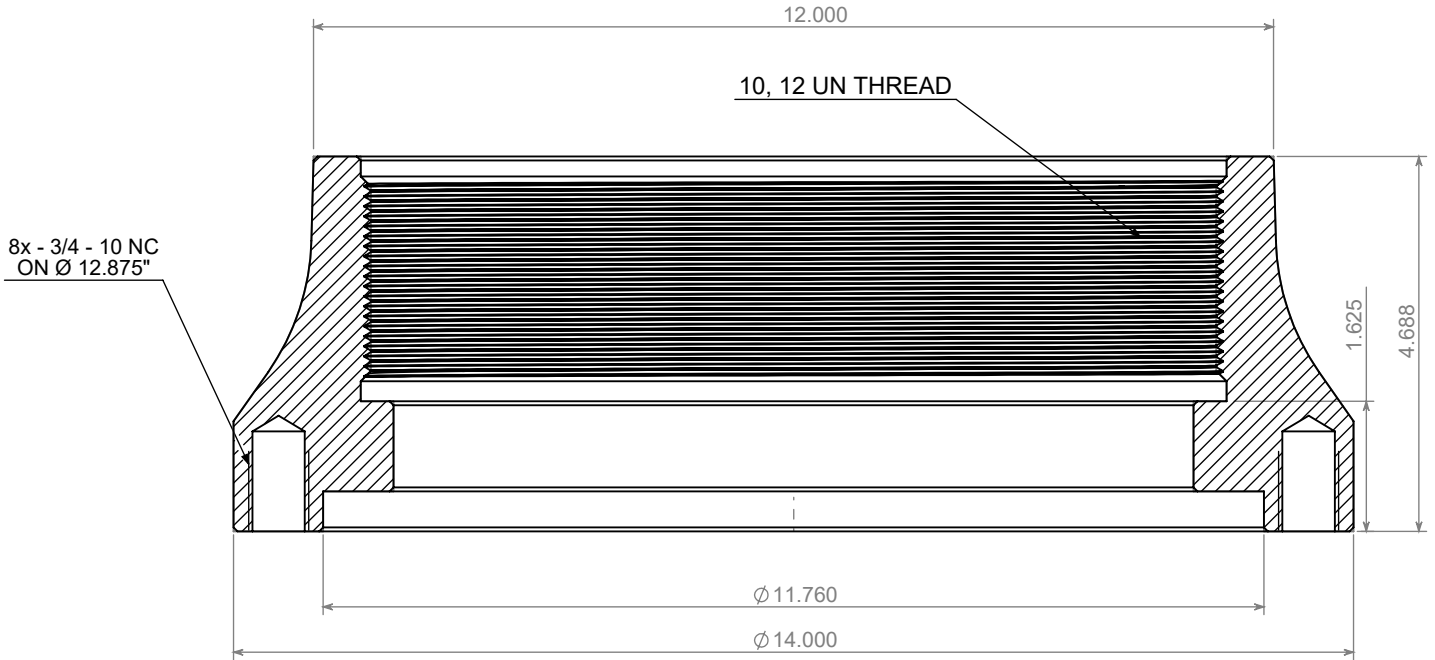
DEPARTMENT: *GENERAL*

UNLESS OTHERWISE SPECIFIED
DIMENSIONS ARE IN INCHES

Rev: *0.0.0* SHEET 1 OF 1



NAME	PART No.	MATERIAL
Column Adapter F14YC 10-ST	F1451301	CLASS 40 CAST IRON
Column Adapter F14YC 12-ST	F1451501	CLASS 40 CAST IRON
Column Adapter F14YC 10-TT	F1451401	CLASS 40 CAST IRON
Column Adapter F14YC 12-TT	F1451601	CLASS 40 CAST IRON



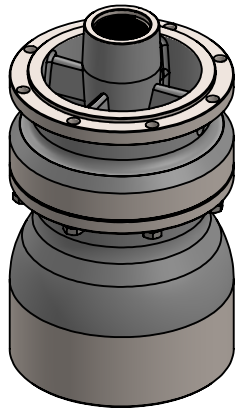
BOMBAS KLASSEN S.A DE C.V
 THIS DRAWING IS THE EXCLUSIVE PROPERTY OF
BOMBAS KLASSEN S.A DE C.V

NO USE WHATSOEVER OF THE INFORMATION
 CONTAINED HEREON MAY BE USED WITHOUT WRITTEN PERMISSION

DEPARTMENT: *GENERAL*

UNLESS OTHERWISE SPECIFIED
 DIMENSIONS ARE IN INCHES

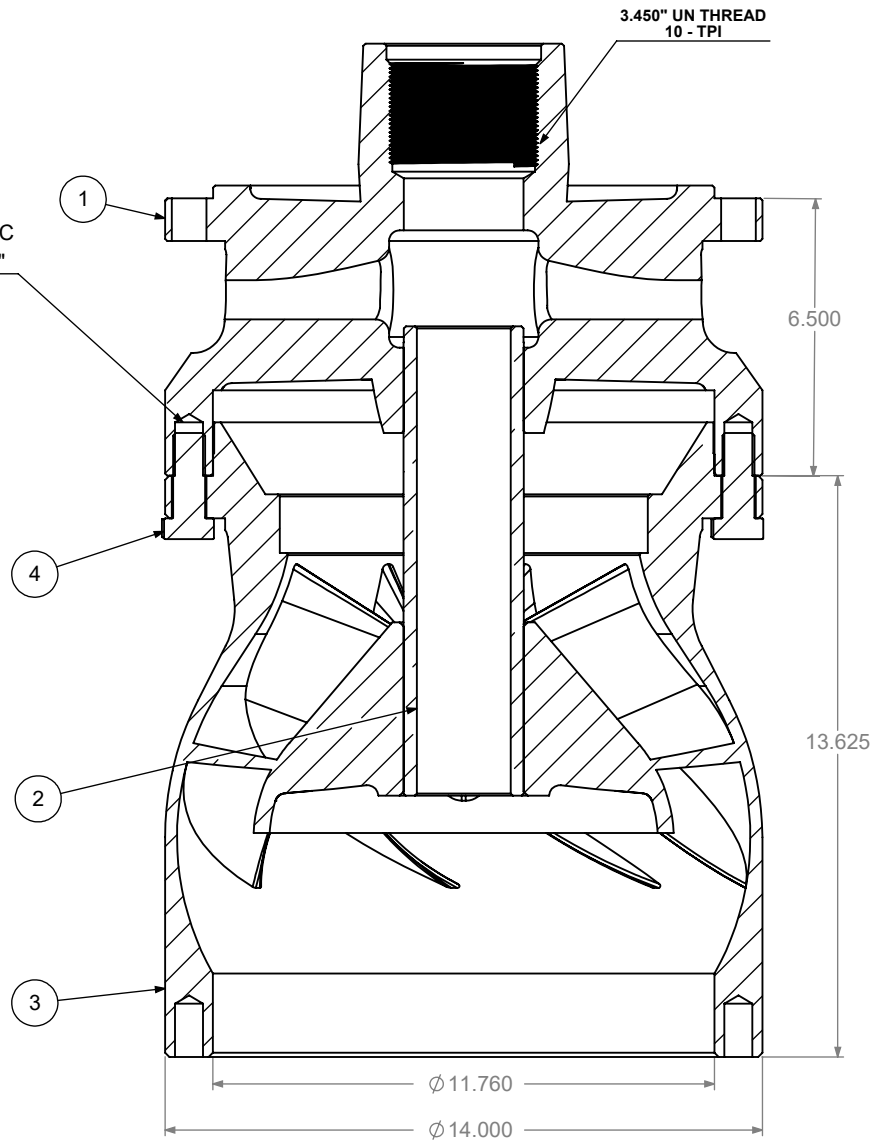
Rev: *0.0.0* SHEET 1 OF 1



FOR 2.188" SHAFT

8x - 3/4 - 10 NC
ON Ø 12.875"

ASSEMBLY NAME	ASSEMBLY PART No.
Discharge w/ enc. bowl and dual brgs F14 3-LH CI	F1422060
Discharge w/ enc. bowl and dual brgs F14 3-RH CI	F1422160



RH = RIGHT HAND
LH = LEFT HAND

BILL OF MATERIALS

ITEM NO.	PART NAME	QTY	PART No.	MATERIAL
1	DISCHARGE CASE F14YC LH	1	F1420401	CLASS 40 CAST IRON
2	SUCTION CASE BEARING 2.188 x 2.814 x 8.000	1	CT218812113	C-844 BRONZE
3	INF BRONZE INTER BOWL F14YC 2.188	1	F1431301	CLASS 40 CAST IRON
4	HEX BOLT 0.750 x 2.000	8	GRAL21951	GRADE 5

OPTIONAL

ITEM NO.	PART NAME	PART No.	MATERIAL
1	DISCHARGE CASE F14YC 3-RH	F1421401	CLASS 40 CAST IRON



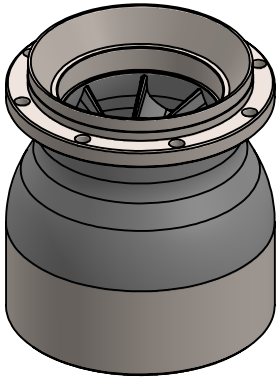
BOMBAS KLASSEN S.A DE C.V
THIS DRAWING IS THE EXCLUSIVE PROPERTY OF
BOMBAS KLASSEN S.A DE C.V

NO USE WHATSOEVER OF THE INFORMATION
CONTAINED HEREON MAY BE USED WITHOUT WRITTEN PERMISSION

DEPARTMENT: *GENERAL*

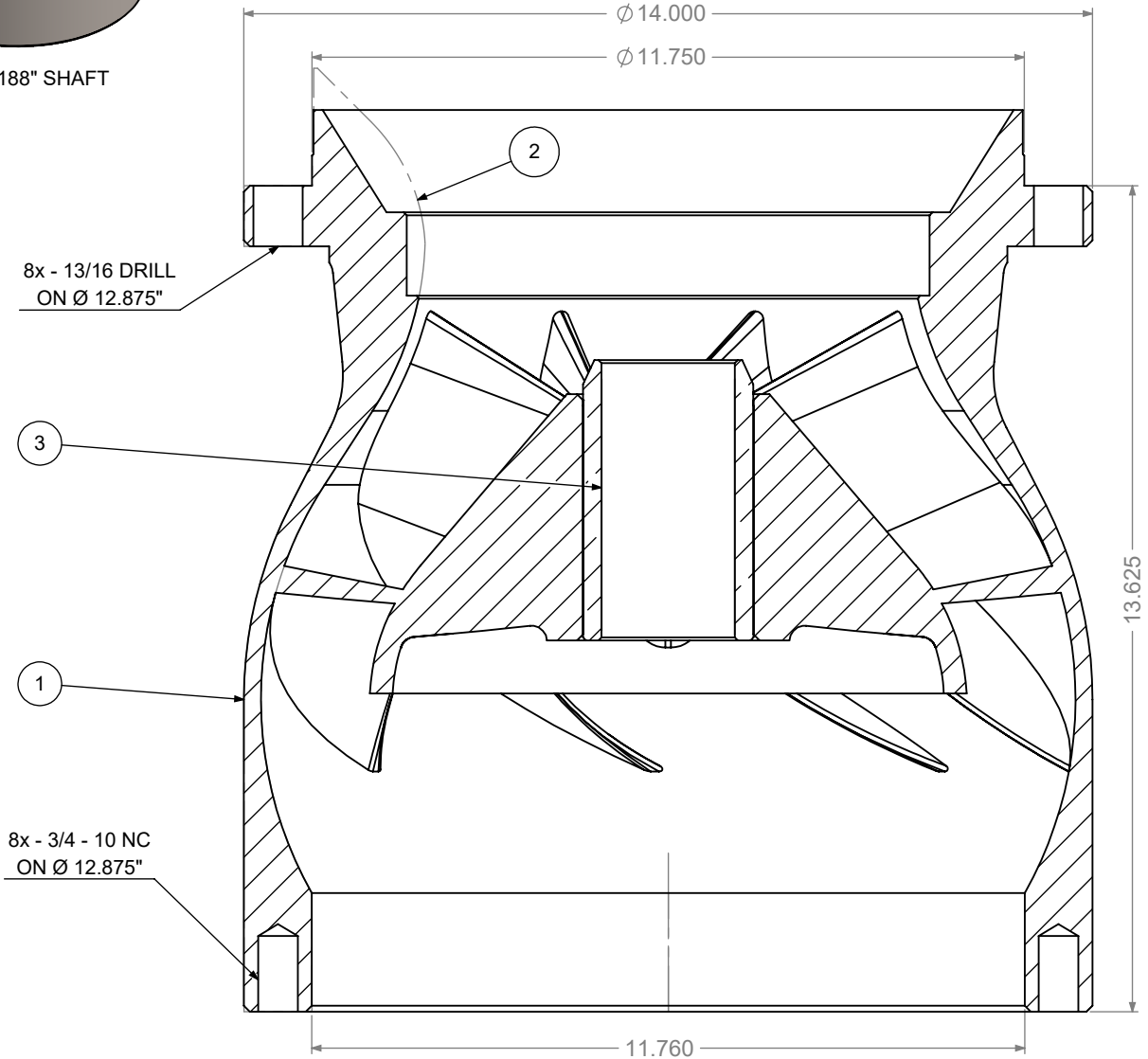
UNLESS OTHERWISE SPECIFIED
DIMENSIONS ARE IN INCHES

Rev: *0.0.0* SHEET 1 OF 1



FOR 2.188" SHAFT

ASSEMBLY NAME	ASSEMBLY PART No.
Closed Bowl w/ brz brg F14YC 2-3/16" CI	F1431360-B
Open Bowl w/ brz brg F14YO 2-3/16" CI	F1430360-B



BILL OF MATERIALS

ITEM NO.	PART NAME	QTY	PART No.	MATERIAL
1	INF BRONZE INTER BOWL F14YO	1	F1430301	CLASS 40 CAST IRON
2	INF BRONZE INTER BOWL F14YC	1	F1431301	CLASS 40 CAST IRON
3	INTER BRONZE BEARING 2.188 x 2.814 x 4.625	1	CT218811213	C-844 BRONZE

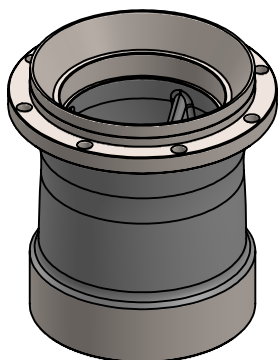


BOMBAS KLASSEN S.A DE C.V
 THIS DRAWING IS THE EXCLUSIVE PROPERTY OF
BOMBAS KLASSEN S.A DE C.V

NO USE WHATSOEVER OF THE INFORMATION
 CONTAINED HEREON MAY BE USED WITHOUT WRITTEN PERMISSION

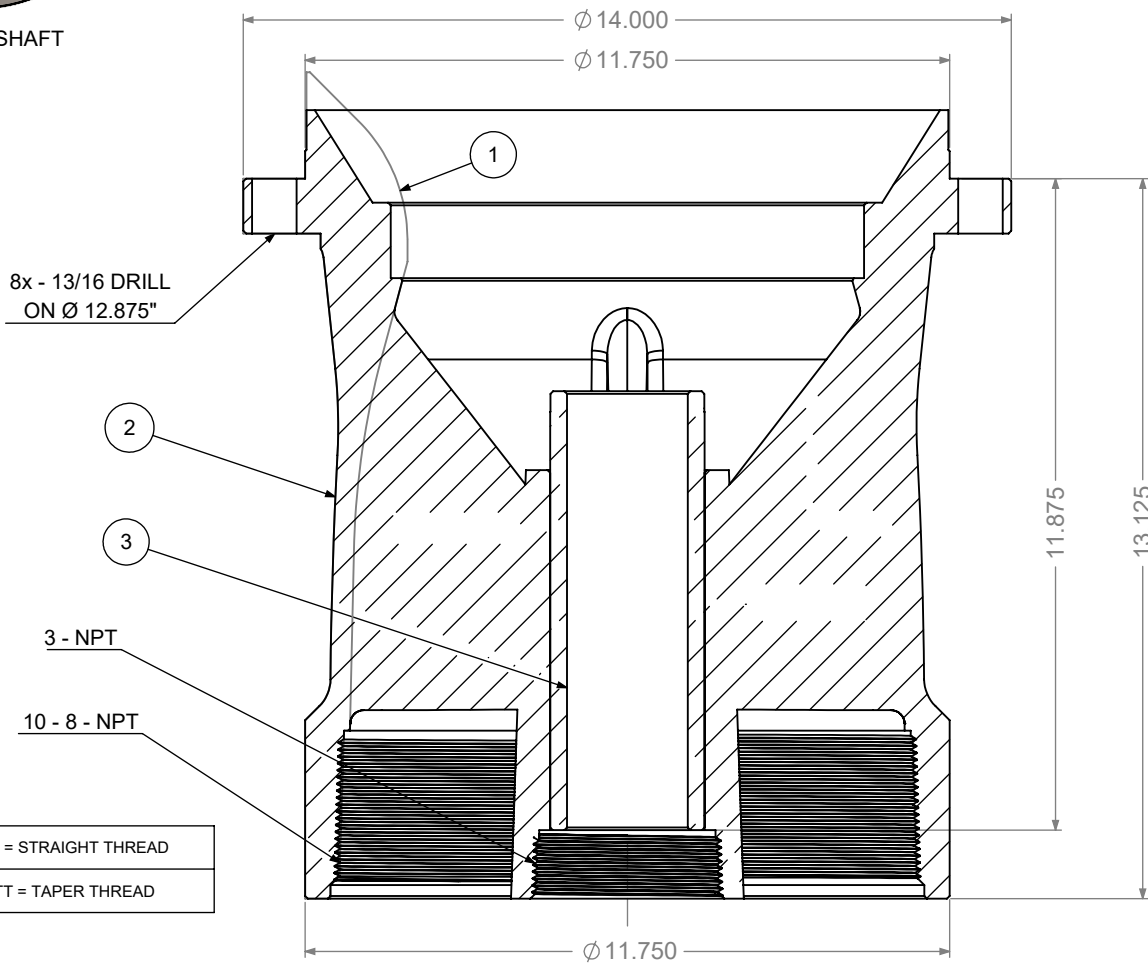
DEPARTMENT: *GENERAL*
 Rev: *0.0.0* SHEET 1 OF 1

UNLESS OTHERWISE SPECIFIED
 DIMENSIONS ARE IN INCHES



FOR 2.188" SHAFT

ASSEMBLY NAME	ASSEMBLY PART No.
Suction case w/brz bearing F14YO open 2-3/16" 10-ST CI	F1440960
Suction case w/brz bearing F14YO open 2-3/16" 10-TT CI	F1441060
Suction case w/brz bearing F14YC closed 2-3/16" 10-ST CI	F1441960
Suction case w/brz bearing F14YC closed 2-3/16" 10-TT CI	F1442060



ST = STRAIGHT THREAD
TT = TAPER THREAD

BILL OF MATERIALS

ITEM NO.	PART NAME	QTY	PART No.	MATERIAL
1	SUCTION CASE F14YO 2.188 10-TT	1	F1441001	CLASS 40 CAST IRON
2	SUCTION CASE F14YC 2.188 10-TT	1	F1442001	CLASS 40 CAST IRON
3	SUCTION CASE BEARING 2.188 x 2.814 x 8.000	1	CT218812113	C-844 BRONZE

OPTIONAL

ITEM NO.	PART NAME	PART No.	MATERIAL
1	SUCTION CASE F14YO 2.188 10-ST	F1440901	CLASS 40 CAST IRON
2	SUCTION CASE F14YC 2.188 10-ST	F1441901	CLASS 40 CAST IRON



BOMBAS KLASSEN S.A DE C.V
 THIS DRAWING IS THE EXCLUSIVE PROPERTY OF
BOMBAS KLASSEN S.A DE C.V

NO USE WHATSOEVER OF THE INFORMATION
 CONTAINED HEREON MAY BE USED WITHOUT WRITTEN PERMISSION

DEPARTMENT: *GENERAL*

UNLESS OTHERWISE SPECIFIED
 DIMENSIONS ARE IN INCHES

Rev: *0.0.0* SHEET 1 OF 1