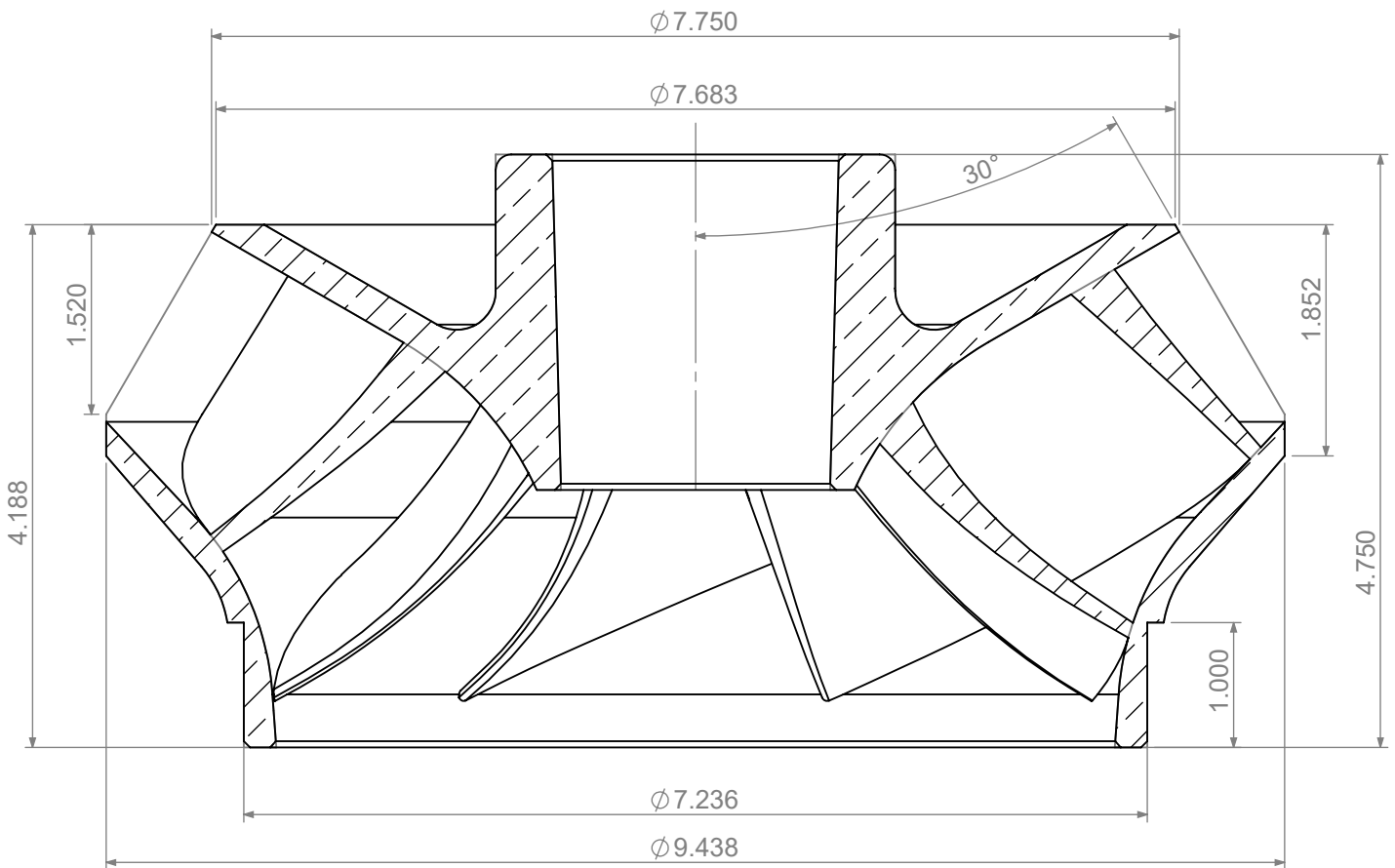


FOR 1.938" SHAFT

NAME	PART No.	MATERIAL
Closed Impeller F12LC	F1211503	CDA836 PB RED BRASS
Closed Impeller F12MC	F1211703	CDA836 PB RED BRASS



BOMBAS KLASSEN S.A DE C.V
 THIS DRAWING IS THE EXCLUSIVE PROPERTY OF
BOMBAS KLASSEN S.A DE C.V

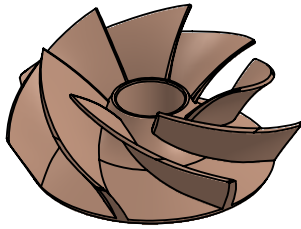
NO USE WHATSOEVER OF THE INFORMATION
 CONTAINED HEREON MAY BE USED WITHOUT WRITTEN PERMISSION

DEPARTMENT: *GENERAL*

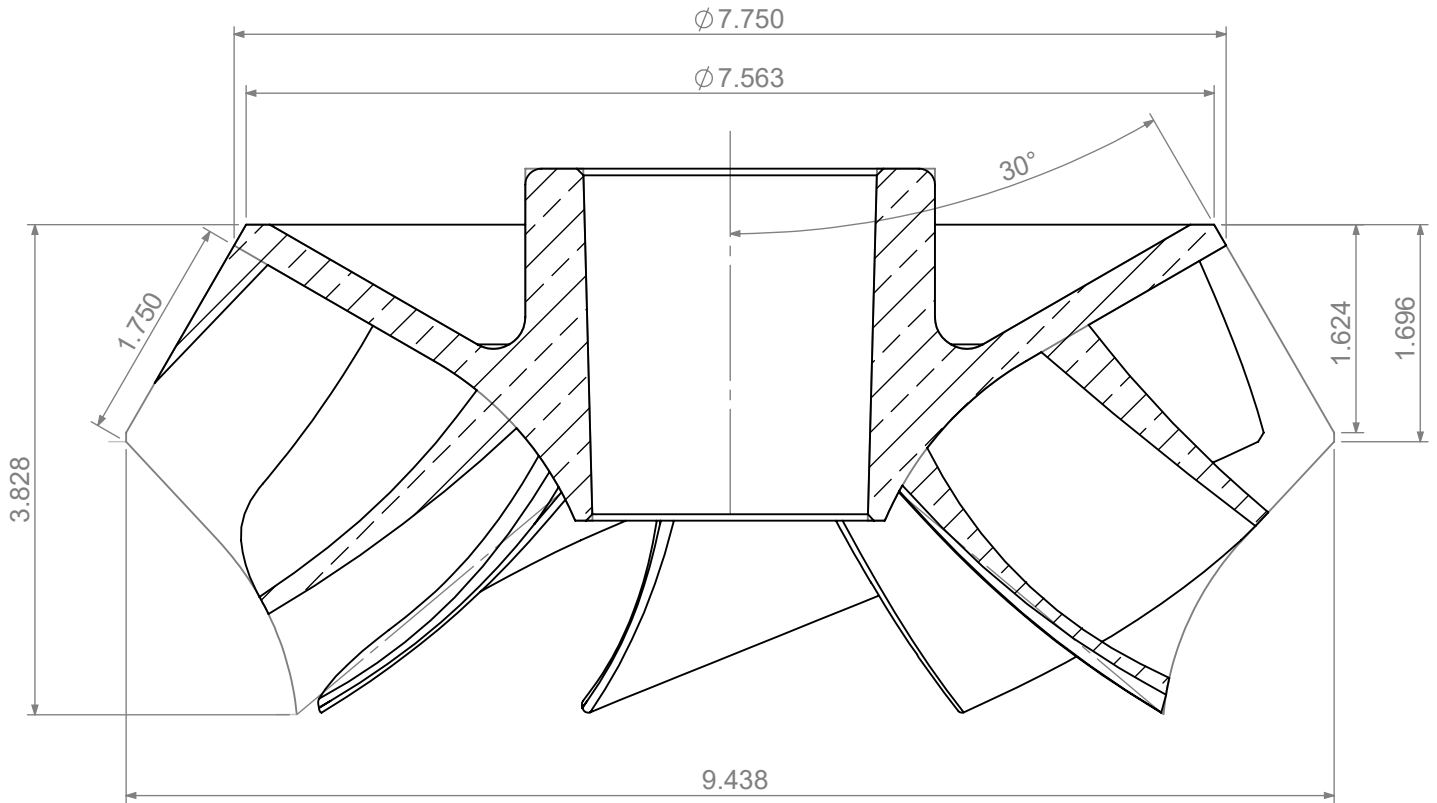
UNLESS OTHERWISE SPECIFIED
 DIMENSIONS ARE IN INCHES

Rev: *0.0.0* SHEET 1 OF 1

NAME	PART No.	MATERIAL
Open Impeller F12LO	F1210503	CDA836 Pb RED BRASS
Open Impeller F12MO	F1210703	CDA836 Pb RED BRASS



FOR 1.938" SHAFT



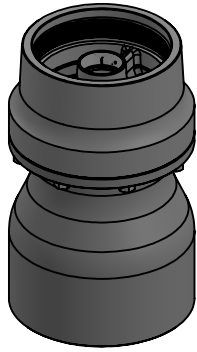
BOMBAS KLASSEN S.A DE C.V
 THIS DRAWING IS THE EXCLUSIVE PROPERTY OF
BOMBAS KLASSEN S.A DE C.V

NO USE WHATSOEVER OF THE INFORMATION
 CONTAINED HEREON MAY BE USED WITHOUT WRITTEN PERMISSION

DEPARTMENT: *GENERAL*

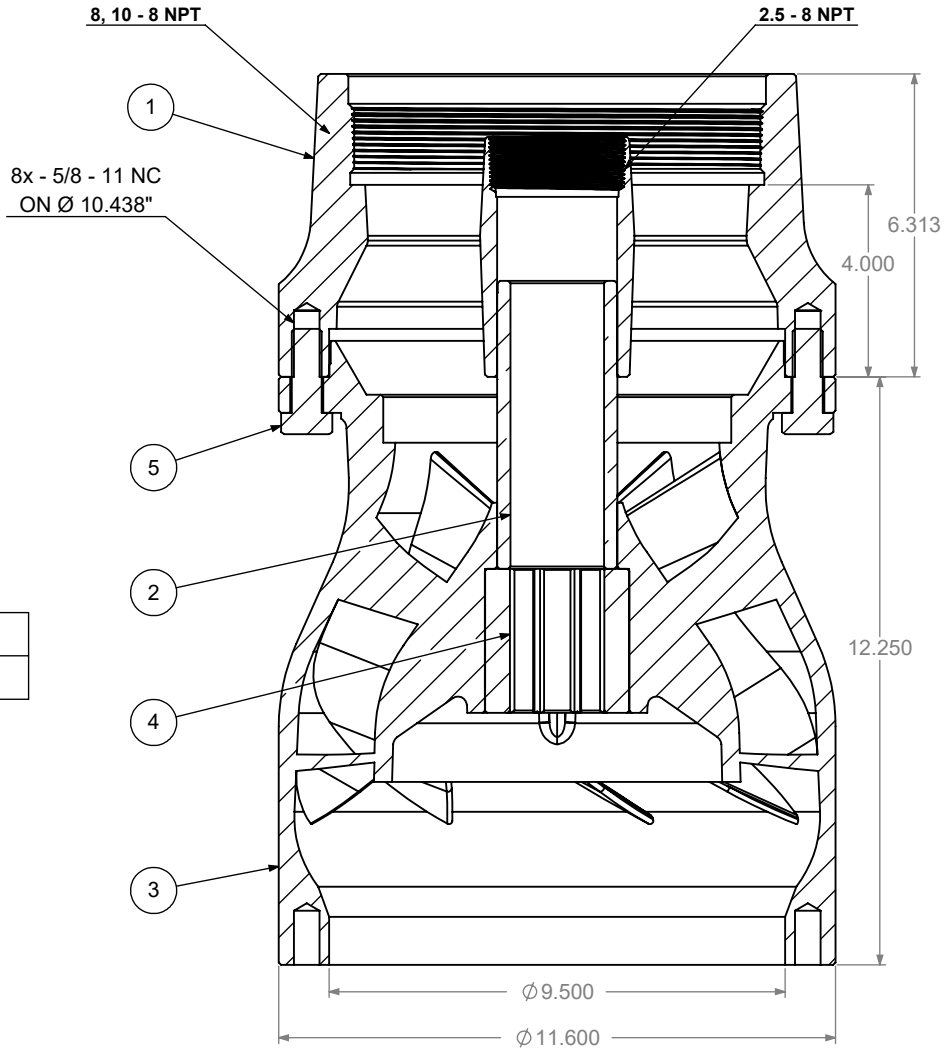
UNLESS OTHERWISE SPECIFIED
 DIMENSIONS ARE IN INCHES

Rev: *0.0.0* SHEET 1 OF 1



FOR 1.938" SHAFT

ASSEMBLY NAME	ASSEMBLY PART No.
WL Column adapter w/brz F12 8-ST	F1256160
WL Column adapter w/brz F12 10-ST	F1256360



RH = RIGHT HAND
LH = LEFT HAND

BILL OF MATERIALS

ITEM NO.	PART NAME	QTY	PART No.	MATERIAL
1	SUB COLUMN ADAPTER F12YC 8-TT	1	F1256201	CLASS 40 CAST IRON
2	SUCTION BOWL BEARING 1.938 x 2.500 x 6.000	1	CT193812113	C-844 BRONZE
3	CLOSED BOWL F12YC COMBINED	1	F1231401	CLASS 40 CAST IRON
4	OCT RUBBER BEARING 1.938 x 3.000 x 3.000	1	CTE193840641	B-72-2 NEOPRENE DURO 70A
5	HEX BOLT 0.625 x 1.750	8	GRAL62520451	GRADE 5

OPTIONAL

ITEM NO.	PART NAME	PART No.	MATERIAL
1	SUB COLUMN ADAPTER F12YC 10-ST	F1256401	CLASS 40 CAST IRON



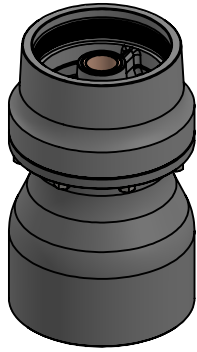
BOMBAS KLASSEN S.A DE C.V.
THIS DRAWING IS THE EXCLUSIVE PROPERTY OF
BOMBAS KLASSEN S.A DE C.V.

NO USE WHATSOEVER OF THE INFORMATION
CONTAINED HEREON MAY BE USED WITHOUT WRITTEN PERMISSION

DEPARTMENT: *GENERAL*

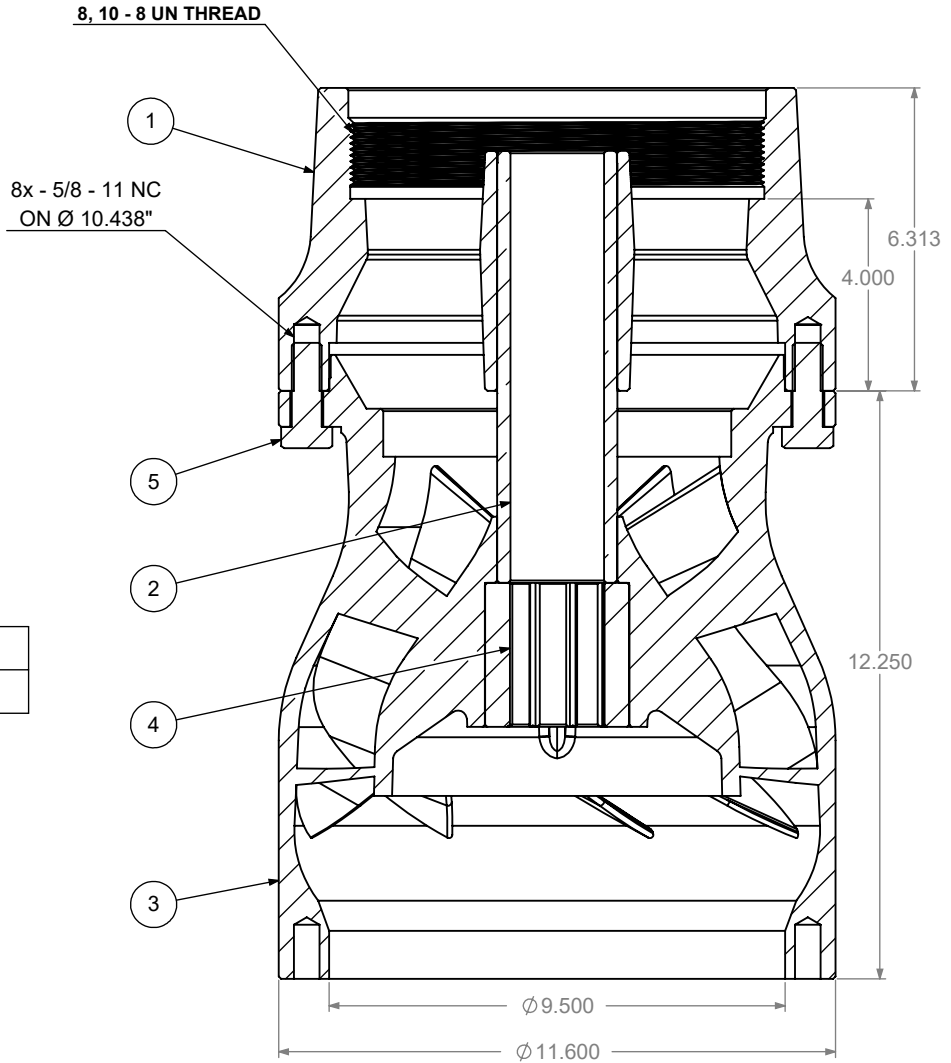
UNLESS OTHERWISE SPECIFIED
DIMENSIONS ARE IN INCHES

Rev: *0.0.0* SHEET 1 OF 1



FOR 1.938" SHAFT

ASSEMBLY NAME	ASSEMBLY PART No.
WL Column adapter w/brz F12 8-ST	F1256160
WL Column adapter w/brz F12 10-ST	F1256360



RH = RIGHT HAND
LH = LEFT HAND

BILL OF MATERIALS

ITEM NO.	PART NAME	QTY	PART No.	MATERIAL
1	WL COLUMN ADAPTER F12YC 8-ST	1	F1256101	CLASS 40 CAST IRON
2	DISCHARGE BEARING 1.938 x 2.500 x 9.000	1	CT193810313	C-844 BRONZE
3	CLOSED BOWL F12YC COMBINED	1	F1231401	CLASS 40 CAST IRON
4	OCT RUBBER BEARING 1.938 x 3.000 x 3.000	1	CTE193840641	B-72-2 NEOPRENE DURO 70A
5	HEX BOLT 0.625 x 1.750	8	GRAL62520451	GRADE 5

OPTIONAL

ITEM NO.	PART NAME	PART No.	MATERIAL
1	WL COLUMN ADAPTER F12YC 10-ST	F1256301	CLASS 40 CAST IRON



BOMBAS KLASSEN S.A DE C.V.
THIS DRAWING IS THE EXCLUSIVE PROPERTY OF
BOMBAS KLASSEN S.A DE C.V.

NO USE WHATSOEVER OF THE INFORMATION
CONTAINED HEREON MAY BE USED WITHOUT WRITTEN PERMISSION

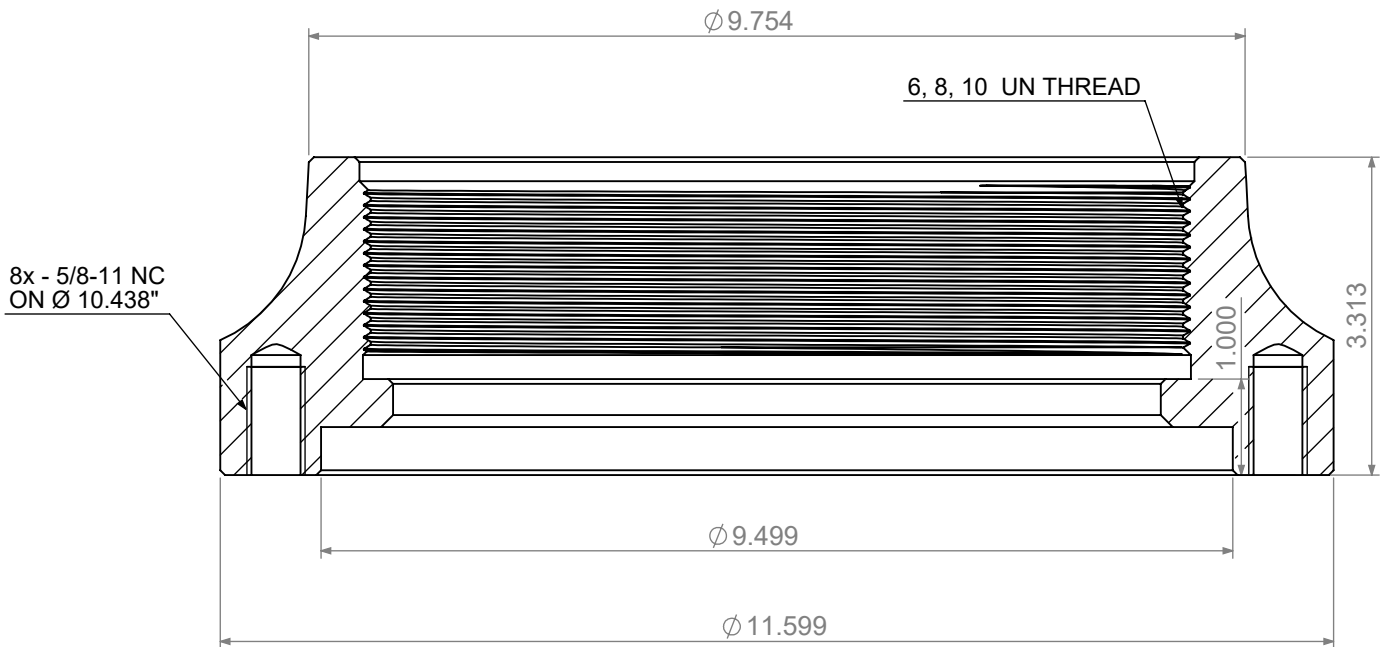
DEPARTMENT: *GENERAL*

UNLESS OTHERWISE SPECIFIED
DIMENSIONS ARE IN INCHES

Rev: *0.0.0* SHEET 1 OF 1



ASSEMBLY NAME	ASSEMBLY PART No.	MATERIAL
Column adapter W12YC 6-ST	W1250901	CLASS 40 CAST IRON
Column adapter W12YC 8-ST	W1251101	CLASS 40 CAST IRON
Column adapter W12YC 10-ST	W1251301	CLASS 40 CAST IRON
Column adapter W12YC 6-TT	W1251001	CLASS 40 CAST IRON
Column adapter W12YC 8-TT	W1251201	CLASS 40 CAST IRON
Column adapter W12YC 10-TT	W1251401	CLASS 40 CAST IRON



BOMBAS KLASSEN S.A DE C.V
 THIS DRAWING IS THE EXCLUSIVE PROPERTY OF
BOMBAS KLASSEN S.A DE C.V

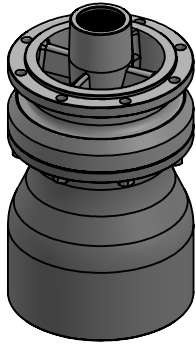
NO USE WHATSOEVER OF THE INFORMATION
 CONTAINED HEREON MAY BE USED WITHOUT WRITTEN PERMISSION

UNLESS OTHERWISE SPECIFIED
 DIMENSIONS ARE IN INCHES

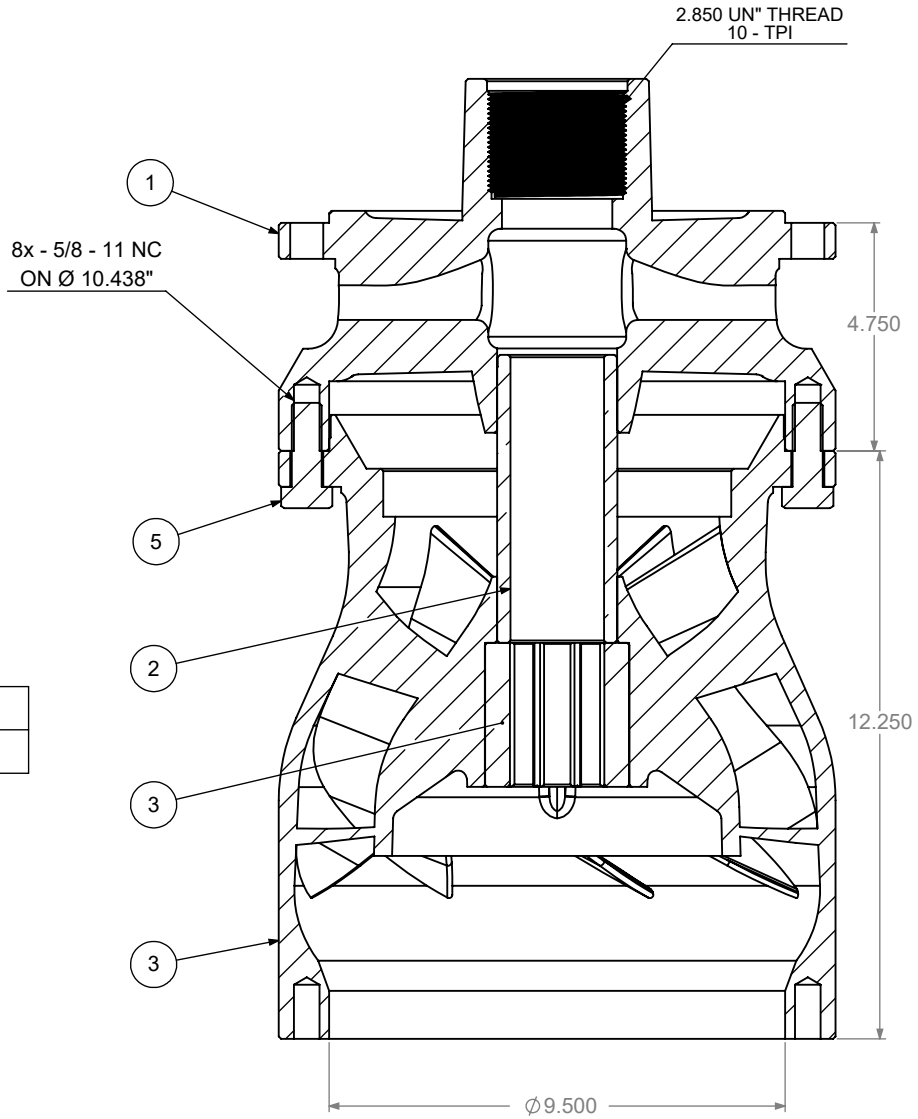
DEPARTMENT: *GENERAL*

Rev: *0.0.0* SHEET 1 OF 1

ASSEMBLY NAME	ASSEMBLY PART No.
Discharge w/ enc. bowl and dual brgs F12 2.5-LH	F1222060
Discharge w/ enc. bowl and dual brgs F12 2.5-RH	F1222160



FOR 1.938" SHAFT



RH = RIGHT HAND
LH = LEFT HAND

BILL OF MATERIALS

ITEM NO.	PART NAME	QTY	PART No.	MATERIAL
1	DISCHARGE CASE F12YC 2.5-RH	1	F1221301	CLASS 40 CAST IRON
2	SUCTION BOWL BEARING 1.938 x 2.500 x 6.000	1	CT193812113	C-844 BRONZE
3	CLOSED BOWL F12YC COMBINED	1	F1231401	CLASS 40 CAST IRON
4	OCT RUBBER BEARING 1.938 x 3.000 x 3.000	1	CTE193840641	B-72-2 NEOPRENE DURO 70A
5	HEX BOLT 0.625 x 1.750	8	GRAL62520451	GRADE 5

OPTIONAL

ITEM NO.	PART NAME	PART No.	MATERIAL
1	DISCHARGE CASE F12YC 2.5-RH	F1221301	CLASS 40 CAST IRON



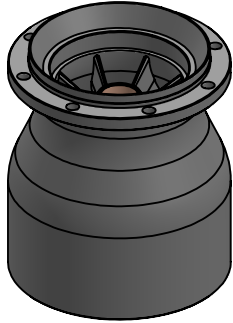
BOMBAS KLASSEN S.A DE C.V
THIS DRAWING IS THE EXCLUSIVE PROPERTY OF
BOMBAS KLASSEN S.A DE C.V

NO USE WHATSOEVER OF THE INFORMATION
CONTAINED HEREON MAY BE USED WITHOUT WRITTEN PERMISSION

DEPARTMENT: *GENERAL*

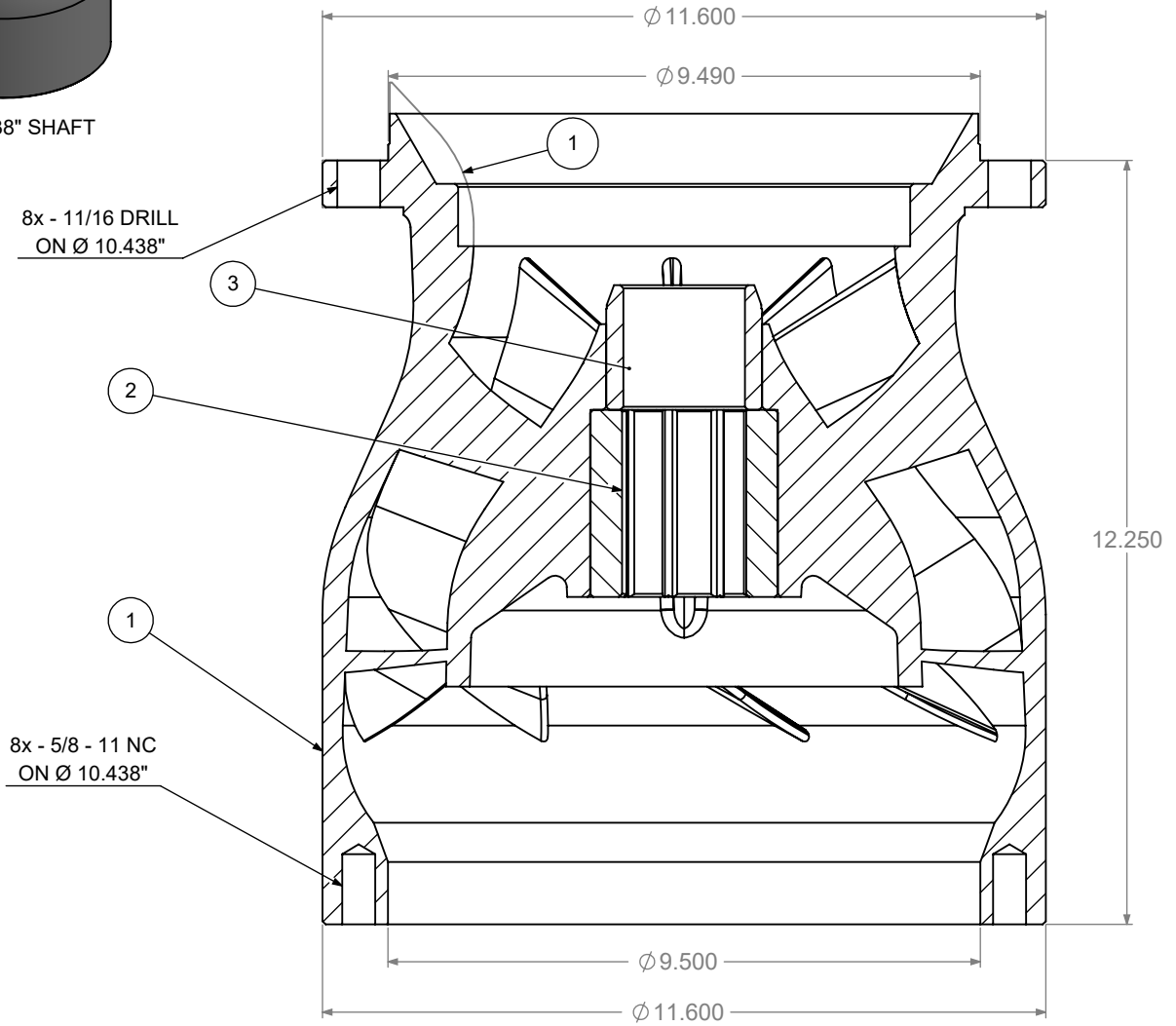
UNLESS OTHERWISE SPECIFIED
DIMENSIONS ARE IN INCHES

Rev: *0.0.0* SHEET 1 OF 1



FOR 1.938" SHAFT

ASSEMBLY NAME	ASSEMBLY PART No.
Closed Bowl w/ brz brg F12YC	F1231460
Open Bowl w/ brz brg F12YO	F1230460



BILL OF MATERIALS

ITEM NO.	PART NAME	QTY	PART No.	MATERIAL
1	CLOSED BOWL F12YC COMBINED	1	F1231401	CLASS 40 CAST IRON
2	OCT RUBBER BEARING 1.938 x 3.000 x 3.000	1	CTE193840641	B-72-2 NEOPRENE DURO 70A
3	BOWL BRONZE BEARING 1.938 x 2.500 x 2.000	1	CT193811313	C-844 BRONZE

OPTIONAL

ITEM NO.	PART NAME	PART No.	MATERIAL
1	OPEN BOWL F12YO	F1230301	CLASS 40 CAST IRON

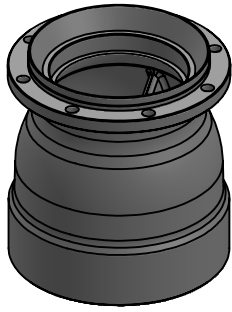


BOMBAS KLASSEN S.A DE C.V.
 THIS DRAWING IS THE EXCLUSIVE PROPERTY OF
BOMBAS KLASSEN S.A DE C.V.

NO USE WHATSOEVER OF THE INFORMATION
 CONTAINED HEREON MAY BE USED WITHOUT WRITTEN PERMISSION

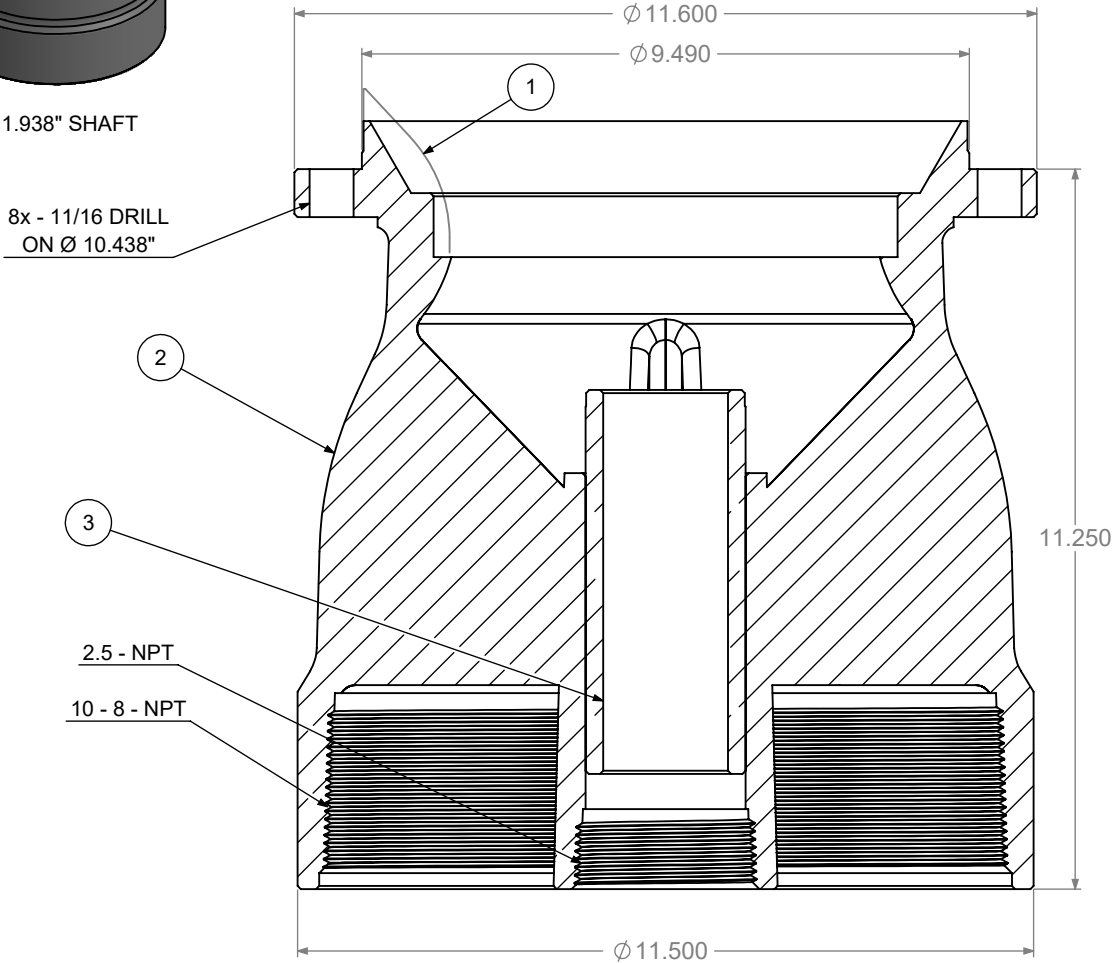
DEPARTMENT: <i>GENERAL</i>
Rev: <i>0.0.0</i> SHEET 1 OF 1

UNLESS OTHERWISE SPECIFIED
 DIMENSIONS ARE IN INCHES



FOR 1.938" SHAFT

ASSEMBLY NAME	ASSEMBLY PART No.
Suction case w/brz bearing F12YO open 10-TT	F1241060
Suction case w/brz bearing F12YO open 10-ST	F1240960
Suction case w/brz bearing F12YC closed 10-ST	F1241960
Suction case w/brz bearing F12YC closed 10-TT	F1242060



ST = STRAIGHT THREAD
TT = TAPER THREAD

BILL OF MATERIALS

ITEM NO.	PART NAME	QTY	PART No.	MATERIAL
1	SUCTION CASE F12YO OPEN 10-TT	1	F1241001	CLASS 40 CAST IRON
2	SUCTION CASE F12YC CLOSED 10-TT	1	F1242001	CLASS 40 CAST IRON
3	SUCTION CASE BEARING 1.938 x 2.814 x 8.000	1	CT193812113	C-844 BRONZE

OPTIONAL

ITEM NO.	PART NAME	PART No.	MATERIAL
1	SUCTION CASE F12YO 10-ST	F1240901	CLASS 40 CAST IRON
2	SUCTION CASE F12YC 10-ST	F1241901	CLASS 40 CAST IRON



BOMBAS KLASSEN S.A DE C.V
THIS DRAWING IS THE EXCLUSIVE PROPERTY OF
BOMBAS KLASSEN S.A DE C.V

NO USE WHATSOEVER OF THE INFORMATION
CONTAINED HEREON MAY BE USED WITHOUT WRITTEN PERMISSION

DEPARTMENT: *GENERAL*

UNLESS OTHERWISE SPECIFIED
DIMENSIONS ARE IN INCHES

Rev: *0.0.0* SHEET 1 OF 1