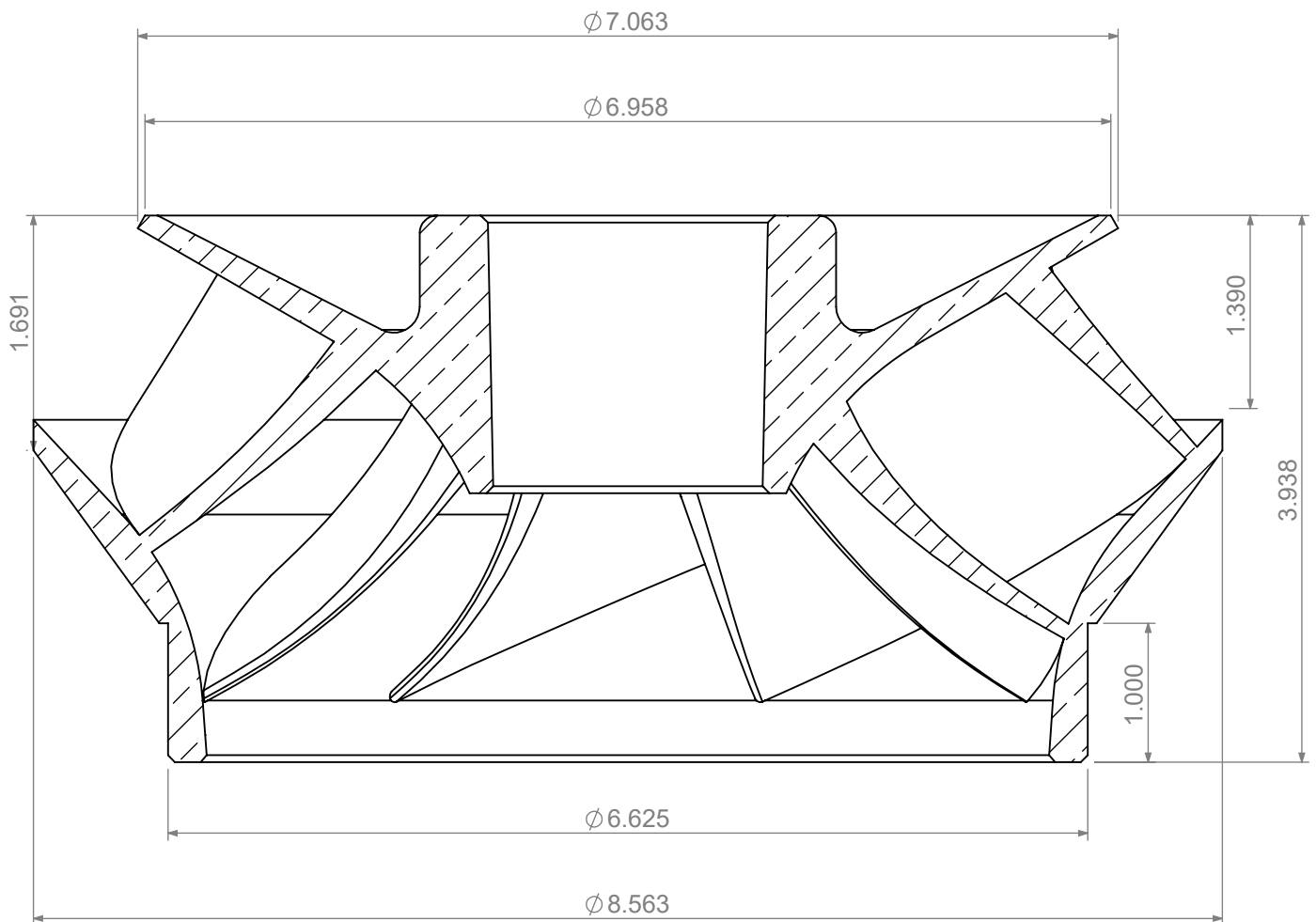


ITEM No.	NAME	PART No.	MATERIAL
1	Closed Impeller F11LC	F1111503	CDA836 Pb BRASS
2	Closed Impeller F11MC	F1111703	CDA836 Pb BRASS

FOR 1.688" SHAFT



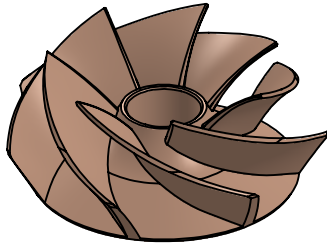
BOMBAS KLASSEN S.A DE C.V
 THIS DRAWING IS THE EXCLUSIVE PROPERTY OF
BOMBAS KLASSEN S.A DE C.V

NO USE WHATSOEVER OF THE INFORMATION
 CONTAINED HEREON MAY BE USED WITHOUT WRITTEN PERMISSION

DEPARTMENT: *GENERAL*

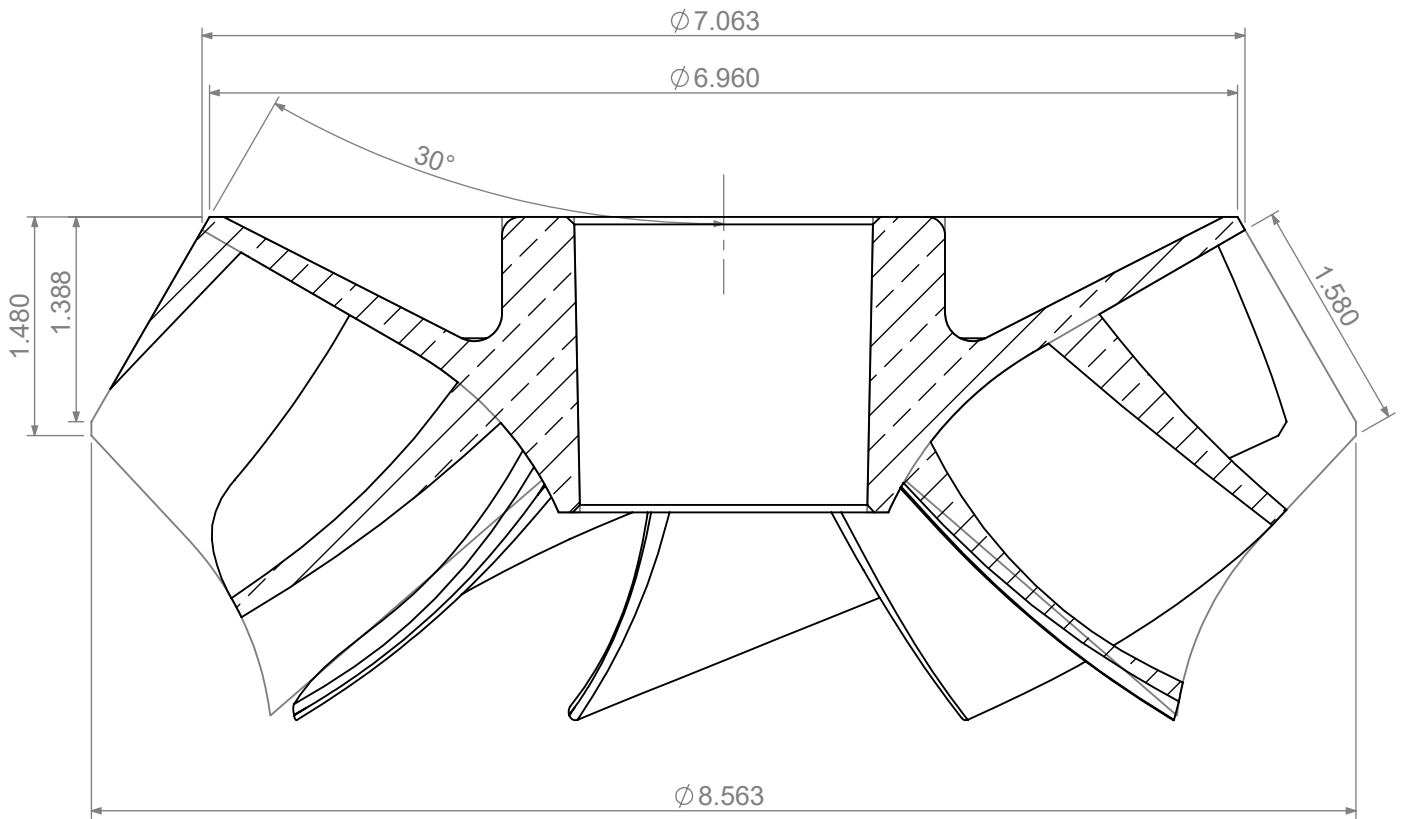
UNLESS OTHERWISE SPECIFIED
 DIMENSIONS ARE IN INCHES

Rev: *0.0.0* SHEET 1 OF 1



NAME	PART No.	MATERIAL
Open Impeller F11MO	F1110703	CDA836 Pb RED BRASS

FOR 1.688" SHAFT



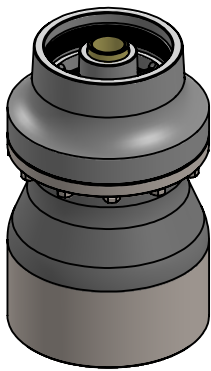
BOMBAS KLASSEN S.A DE C.V
 THIS DRAWING IS THE EXCLUSIVE PROPERTY OF
BOMBAS KLASSEN S.A DE C.V

NO USE WHATSOEVER OF THE INFORMATION
 CONTAINED HEREON MAY BE USED WITHOUT WRITTEN PERMISSION

UNLESS OTHERWISE SPECIFIED
 DIMENSIONS ARE IN INCHES

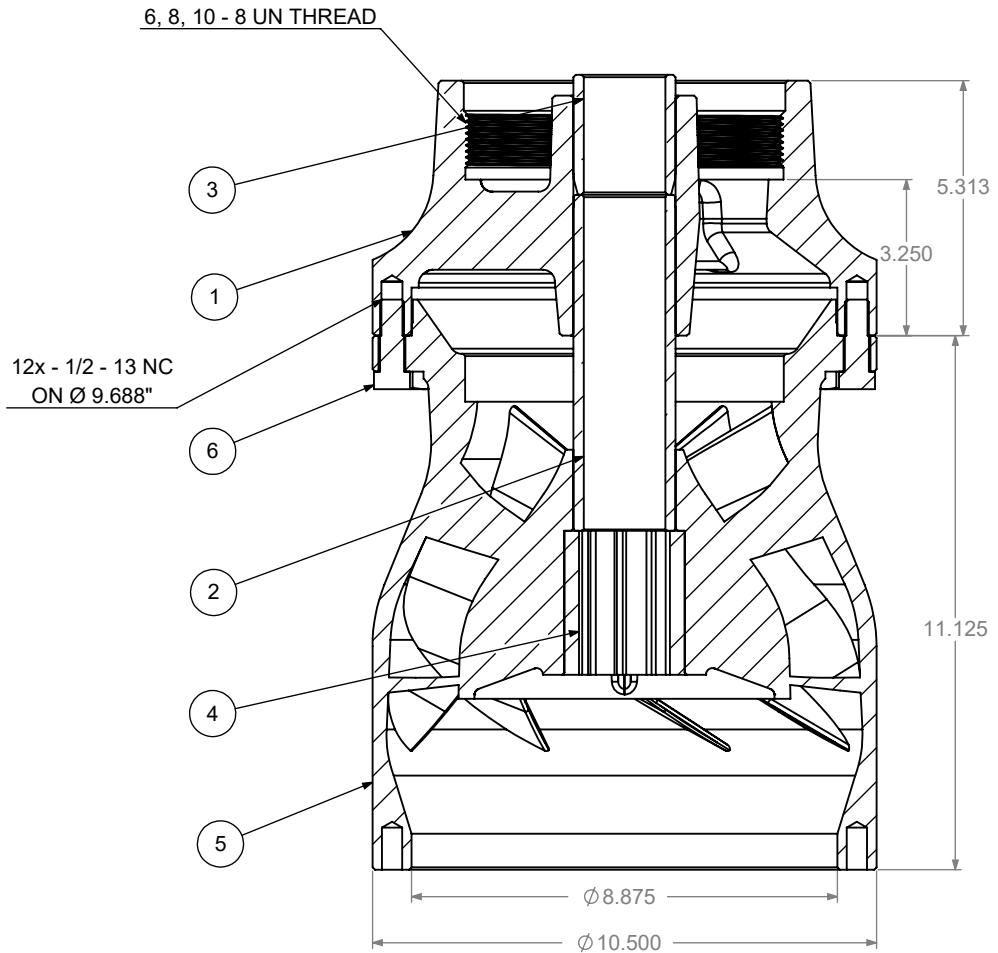
DEPARTMENT: *GENERAL*

Rev: *0.0.0* SHEET 1 OF 1



FOR 1.688" SHAFT

ASSEMBLY NAME	ASSEMBLY PART No.
WL Column adapter w bowl/brz brg F11 6-ST	F1155960
WL Column adapter w bowl/brz brg F11 8-ST	F1156160
WL Column adapter w bowl/brz brg F11 10-ST	F1156360



BILL OF MATERIALS

ITEM NO.	PART NAME	QTY	PART No.	MATERIAL
1	WL COLUMN ADAPTER S11 F11 6-ST	1	S1155901	CLASS 40 CAST IRON
2	DISCHARGE CASE BEARING 1.688	1	CT168810113	C-844 BRONZE
3	BOWL BRONZE BEARING 1.688 x 2.125 x 2.500	1	CT16881513	C-844 BRONZE
4	OCT RUBBER BEARING 1.688 x 2.125 x 3.000	1	CTE168840841	B-72-2 NEOPRENE DURO 70A
5	CLOSED BOWL F11YC COMBINED	1	F1131401	CLASS 40 CAST IRON
6	HEX BOLT 0.500 x 1.500	12	GRAL50020451	GRADE 5

OPTIONAL

ITEM NO.	PART NAME	PART No.	MATERIAL
1	WL COLUMN ADAPTER S11 F11 8-ST	S1155901	CLASS 40 CAST IRON
1	WL COLUMN ADAPTER S11 F11 10-ST	S1156301	CLASS 40 CAST IRON

*OD of 10" Column Adapter is 11.750"



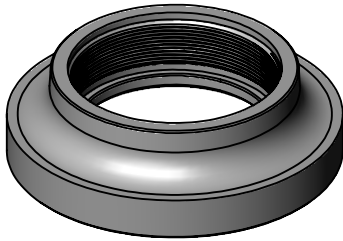
BOMBAS KLASSEN S.A DE C.V
THIS DRAWING IS THE EXCLUSIVE PROPERTY OF
BOMBAS KLASSEN S.A DE C.V

NO USE WHATSOEVER OF THE INFORMATION
CONTAINED HEREON MAY BE USED WITHOUT WRITTEN PERMISSION

DEPARTMENT: *GENERAL*

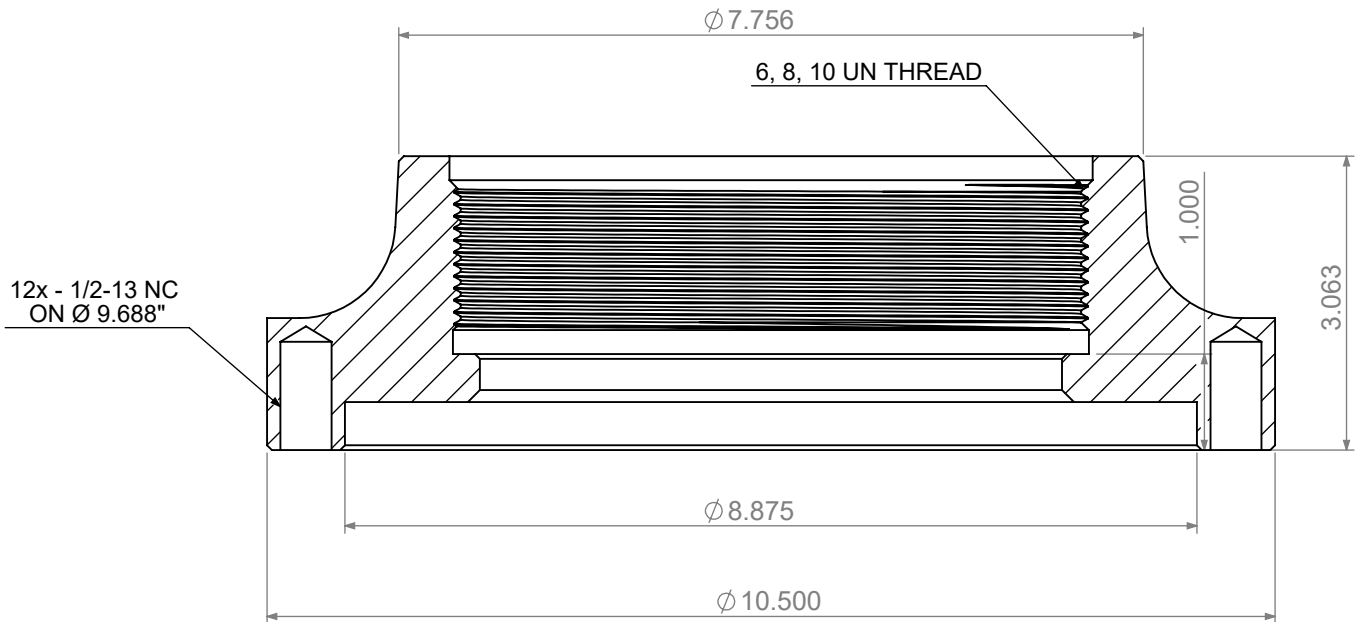
UNLESS OTHERWISE SPECIFIED
DIMENSIONS ARE IN INCHES

Rev: *0.0.0* SHEET 1 OF 1



ASSEMBLY NAME	ASSEMBLY PART No.	MATERIAL
Column adapter S11 F11 6-ST	S1150901	CLASS 40 CAST IRON
Column adapter S11 F11 8-ST	S1151101	CLASS 40 CAST IRON
Column adapter S11 F11 10-ST	S1151301	CLASS 40 CAST IRON
Column adapter S11 F11 6-TT	S1151001	CLASS 40 CAST IRON
Column adapter S11 F11 8-TT	S1151201	CLASS 40 CAST IRON
Column adapter S11 F11 10-TT	S1151401	CLASS 40 CAST IRON

*OD 10" Column Adapter is 11.750"



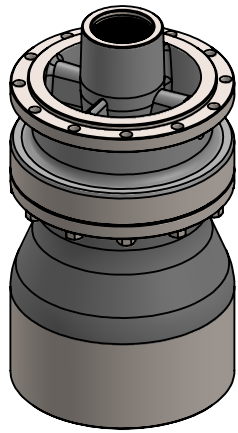
BOMBAS KLASSEN S.A DE C.V
 THIS DRAWING IS THE EXCLUSIVE PROPERTY OF
BOMBAS KLASSEN S.A DE C.V

NO USE WHATSOEVER OF THE INFORMATION
 CONTAINED HEREON MAY BE USED WITHOUT WRITTEN PERMISSION

DEPARTMENT: *GENERAL*

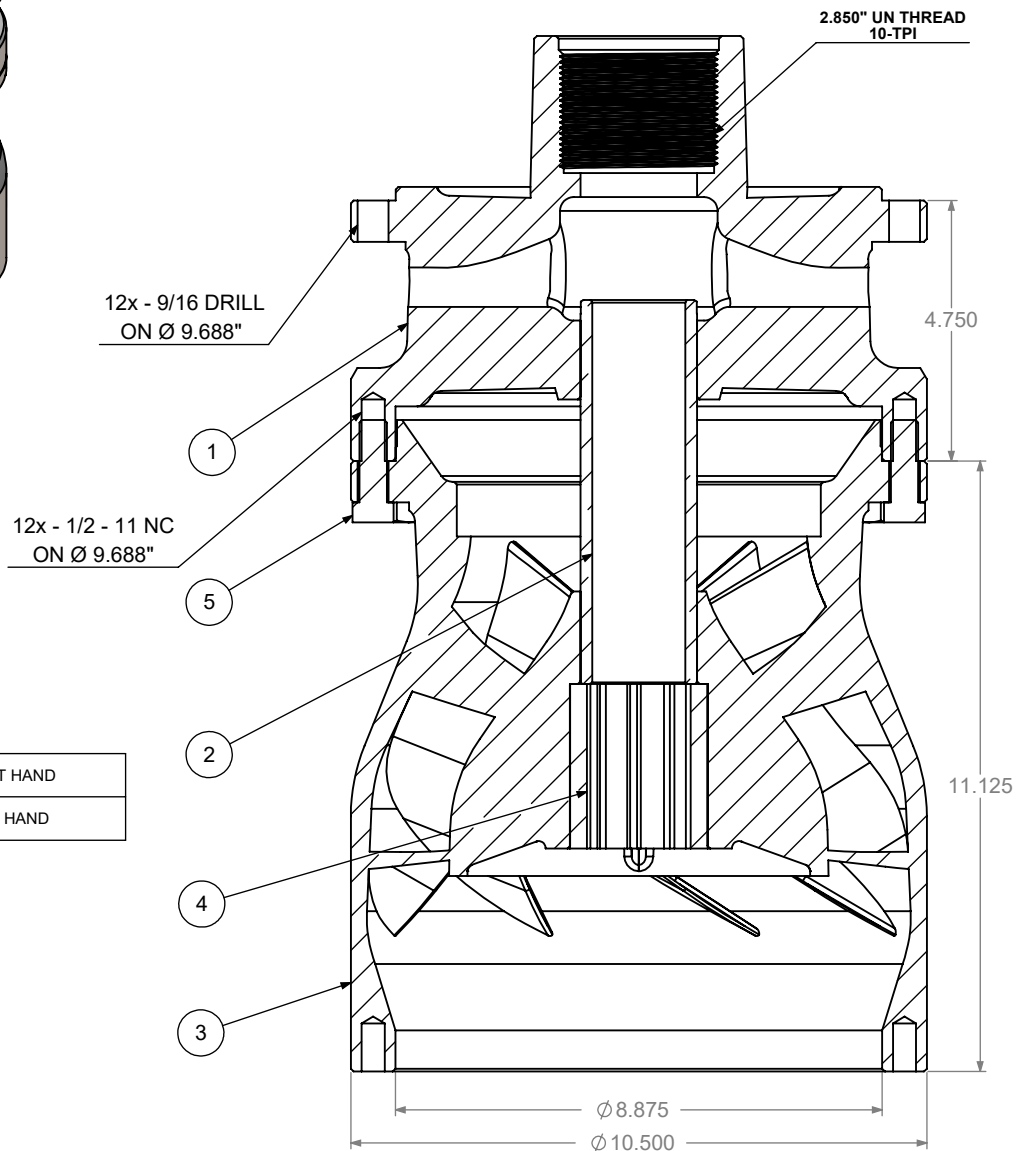
UNLESS OTHERWISE SPECIFIED
 DIMENSIONS ARE IN INCHES

Rev: *0.0.0* SHEET 1 OF 1



FOR 1.688" SHAFT

ASSEMBLY NAME	ASSEMBLY PART No.
Discharge w/ enc. bowl and dual brgs F11 2.5-LH	F1122060
Discharge w/ enc. bowl and dual brgs F11 2.5-RH	F1122160



RH = RIGHT HAND
LH = LEFT HAND

BILL OF MATERIALS

ITEM NO.	PART NAME	QTY	PART No.	MATERIAL
1	DISCHARGE CASE F11YC 2.5-LH	1	F1120301	CLASS 40 CAST IRON
2	DISCHARGE CASE BEARING 1.688	1	CT168810113	C-844 BRONZE
3	CLOSED BOWL F11YC COMBINED	1	F1131401	CLASS 40 CAST IRON
4	OCT RUBBER BEARING 1.688 x 2.125 x 3.000	1	CTE168840841	B-72-2 NEOPRENE DURO 70A
5	HEX BOLT 0.500 x 1.500	12	GRAL50020451	GRADE 5

OPTIONAL

ITEM NO.	PART NAME	PART No.	MATERIAL
1	DISCHARGE CASE F11YC 2.5-RH	F1121301	CLASS 40 CAST IRON



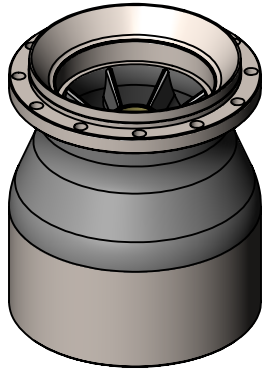
BOMBAS KLASSEN S.A DE C.V
THIS DRAWING IS THE EXCLUSIVE PROPERTY OF
BOMBAS KLASSEN S.A DE C.V

NO USE WHATSOEVER OF THE INFORMATION
CONTAINED HEREON MAY BE USED WITHOUT WRITTEN PERMISSION

DEPARTMENT: *GENERAL*

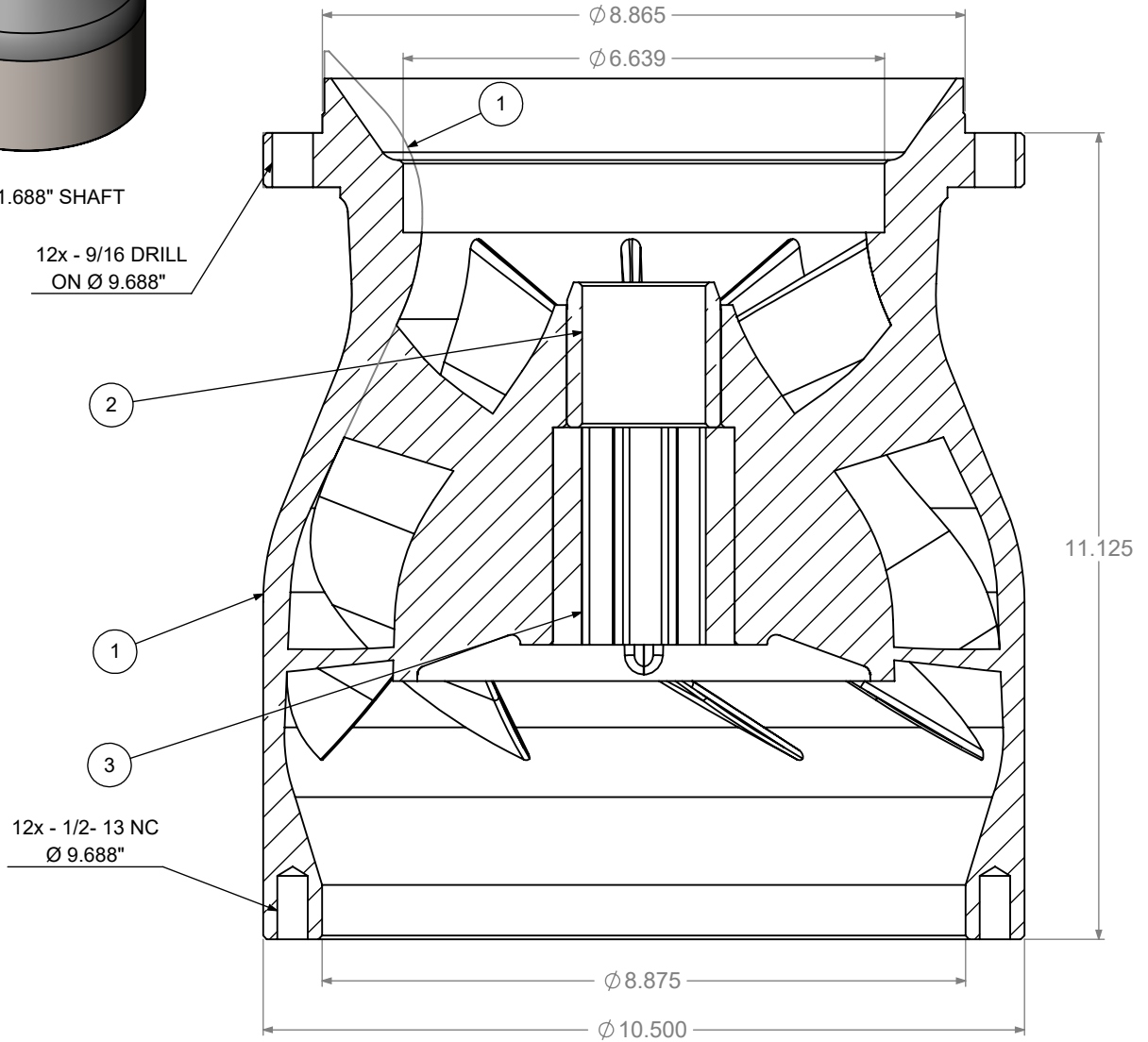
UNLESS OTHERWISE SPECIFIED
DIMENSIONS ARE IN INCHES

Rev: *0.0.0* SHEET 1 OF 1



FROM 1.688" SHAFT

ASSEMBLY NAME	ASSEMBLY PART No.
Closed Bowl w/ dual brgs F11YC	F1131460
Open Bowl w/ dual brgs F11YO	F1130460



BILL OF MATERIALS

ITEM No.	PART NAME	QTY	PART No.	MATERIAL
1	CLOSED BOWL F11YC COMBINED	1	F1131401	CLASS 40 CAST IRON
2	BOWL BRONZE BEARING 1.688 x 2.125 x 2.000	1	CT168811413	C-844 BRONZE
3	OCT RUBBER BEARING 1.688 x 2.125 x 3.000	1	CTE168840841	B-72-2 NEOPRENE DURO 70A

OPTIONAL

ITEM NO.	PART NAME	PART No.	MATERIAL
1	OPEN BOWL F11YO COMBINED	F1130401	CLASS 40 CAST IRON



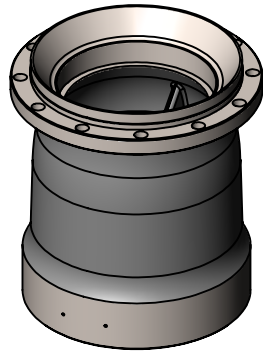
BOMBAS KLASSEN S.A DE C.V
 THIS DRAWING IS THE EXCLUSIVE PROPERTY OF
BOMBAS KLASSEN S.A DE C.V

NO USE WHATSOEVER OF THE INFORMATION
 CONTAINED HEREON MAY BE USED WITHOUT WRITTEN PERMISSION

DEPARTMENT: **GENERAL**

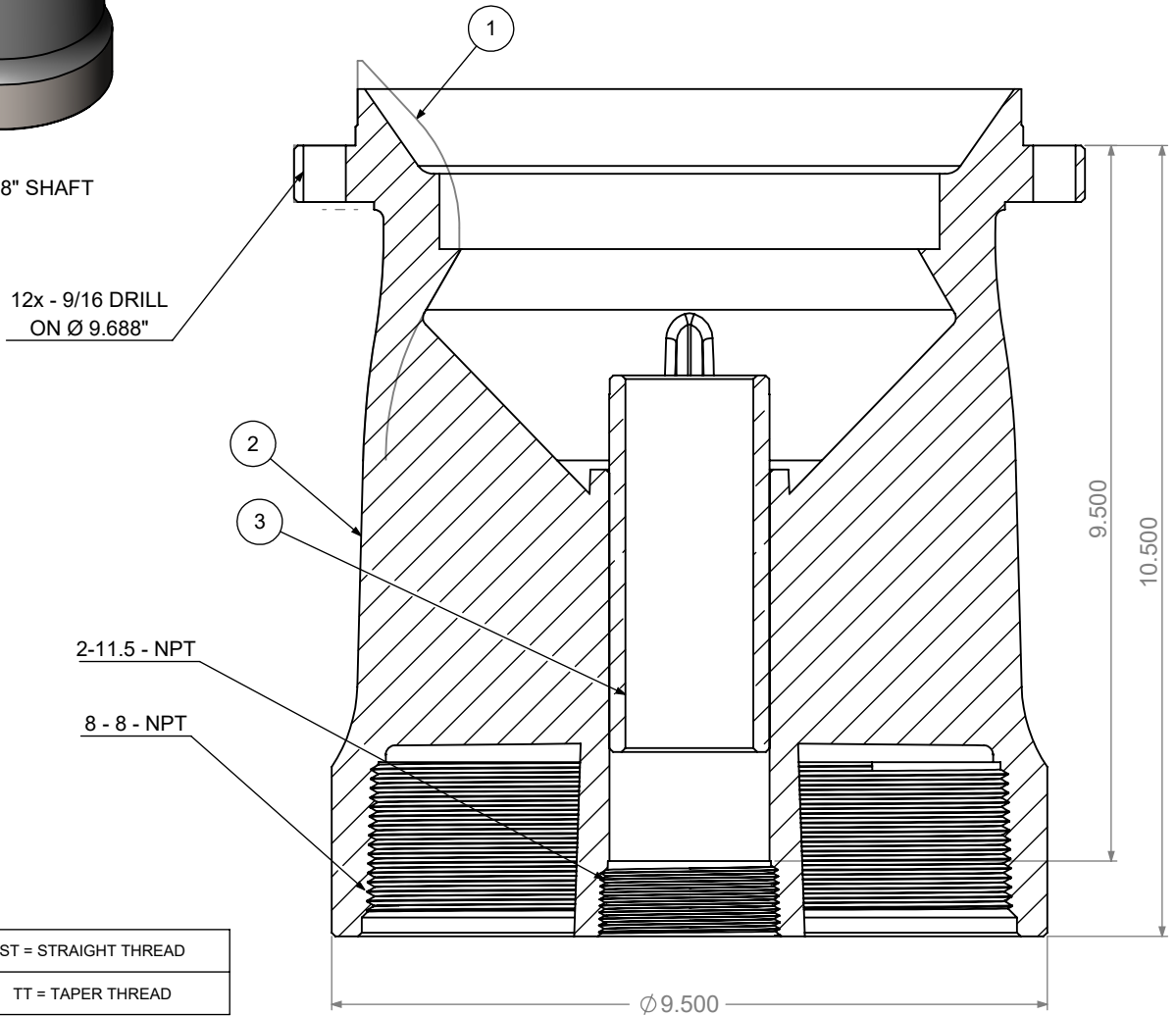
UNLESS OTHERWISE SPECIFIED
 DIMENSIONS ARE IN INCHES

Rev: **0.0.0** SHEET 1 OF 1



FOR 1.688" SHAFT

ASSEMBLY NAME	ASSEMBLY PART No.
Suction case w/brz bearing F11YO open 8-ST	F1140760
Suction case w/brz bearing F11YO open 8-TT	F1140860
Suction case w/brz bearing F11YC closed 8-ST	F1141760
Suction case w/brz bearing F11YC closed 8-TT	F1141860



ST = STRAIGHT THREAD
TT = TAPER THREAD

BILL OF MATERIALS

ITEM NO.	PART NAME	QTY	PART No.	MATERIAL
1	SUCTION CASE F11YO OPEN 8-TT	1	F1140801	CLASS 40 CAST IRON
2	SUCTION CASE F11YC CLOSED 8-TT	1	F1141801	CLASS 40 CAST IRON
3	SUCTION CASE BEARING 1.688 x 2.125 x 5.000	1	CT168811213	C-844 BRONZE

OPTIONAL

ITEM NO.	PART NAME	PART No.	MATERIAL
1	SUCTION CASE F11YO 8-ST	F1140701	CLASS 40 CAST IRON
2	SUCTION CASE F11YC 8-ST	F1141701	CLASS 40 CAST IRON



BOMBAS KLASSEN S.A DE C.V
THIS DRAWING IS THE EXCLUSIVE PROPERTY OF
BOMBAS KLASSEN S.A DE C.V

NO USE WHATSOEVER OF THE INFORMATION
CONTAINED HEREON MAY BE USED WITHOUT WRITTEN PERMISSION

DEPARTMENT: <i>GENERAL</i>
Rev: <i>0.0.0</i> SHEET 1 OF 1

UNLESS OTHERWISE SPECIFIED
DIMENSIONS ARE IN INCHES