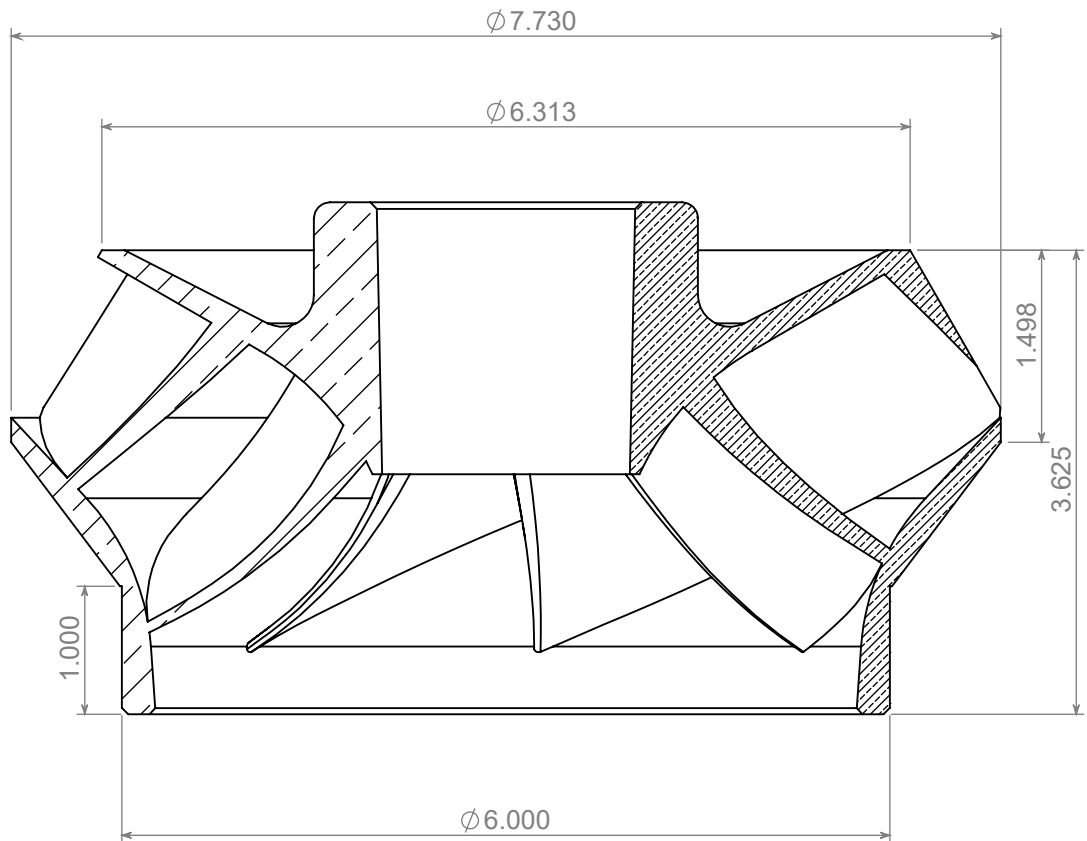


NAME	PART No.	MATERIAL
Closed Impeller F10LC	F1011503	CDA836 Pb RED BRASS
Closed Impeller F10MC	F1011703	CDA836 Pb RED BRASS

FOR 1.688" SHAFT



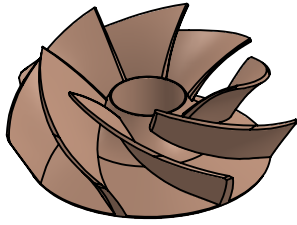
BOMBAS KLASSEN S.A DE C.V
 THIS DRAWING IS THE EXCLUSIVE PROPERTY OF
BOMBAS KLASSEN S.A DE C.V

NO USE WHATSOEVER OF THE INFORMATION
 CONTAINED HEREON MAY BE USED WITHOUT WRITTEN PERMISSION

DEPARTMENT: *GENERAL*

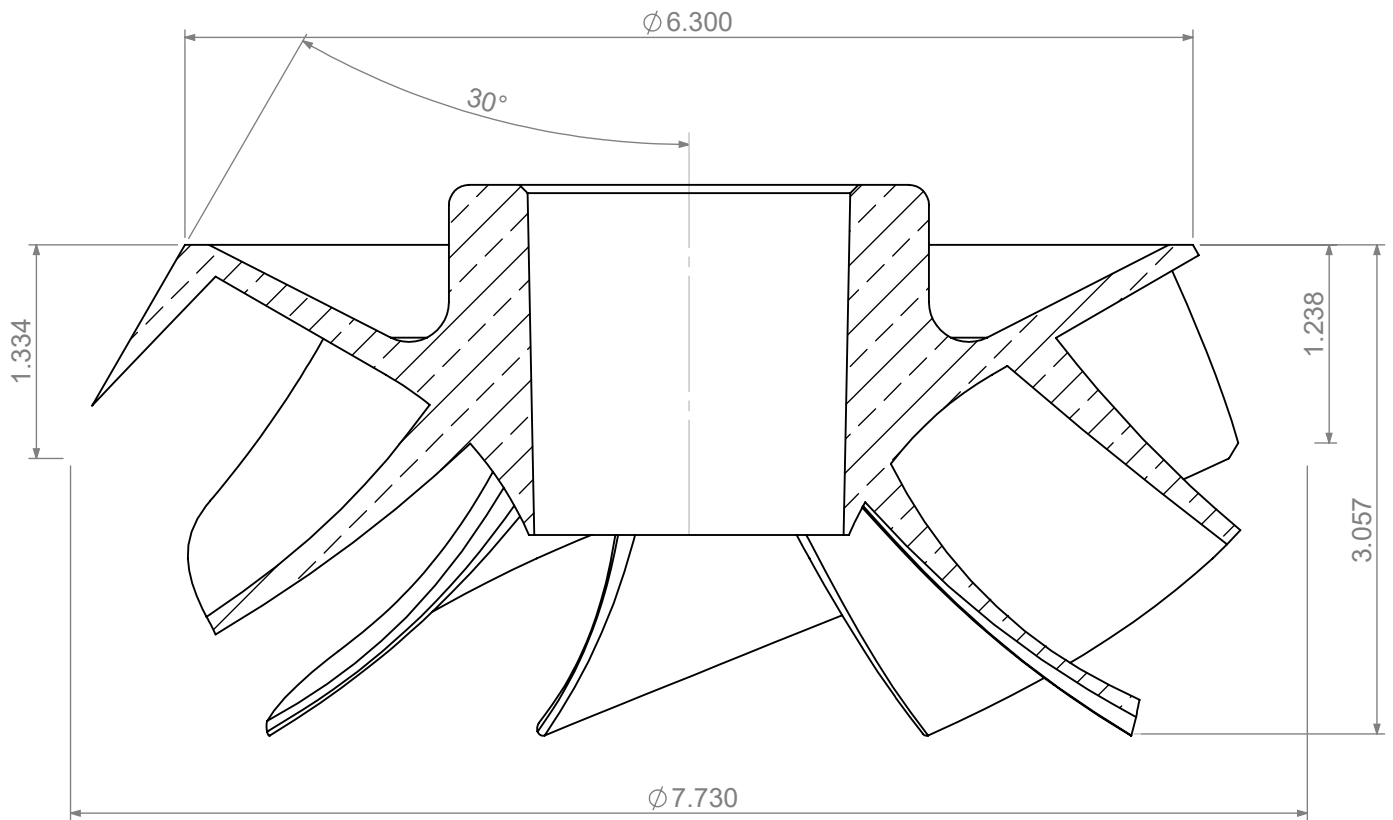
UNLESS OTHERWISE SPECIFIED
 DIMENSIONS ARE IN INCHES

Rev: *0.0.0* SHEET 1 OF 1



FOR 1.688" SHAFT

NAME	PART No.	MATERIAL
Open Impeller F10LO	F1010503	CDA836 Pb RED BRASS
Open Impeller F10MO	F1010703	CDA836 Pb RED BRASS



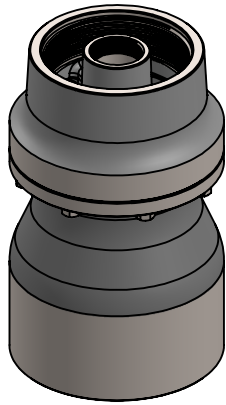
BOMBAS KLASSEN S.A DE C.V
 THIS DRAWING IS THE EXCLUSIVE PROPERTY OF
BOMBAS KLASSEN S.A DE C.V

NO USE WHATSOEVER OF THE INFORMATION
 CONTAINED HEREON MAY BE USED WITHOUT WRITTEN PERMISSION

UNLESS OTHERWISE SPECIFIED
 DIMENSIONS ARE IN INCHES

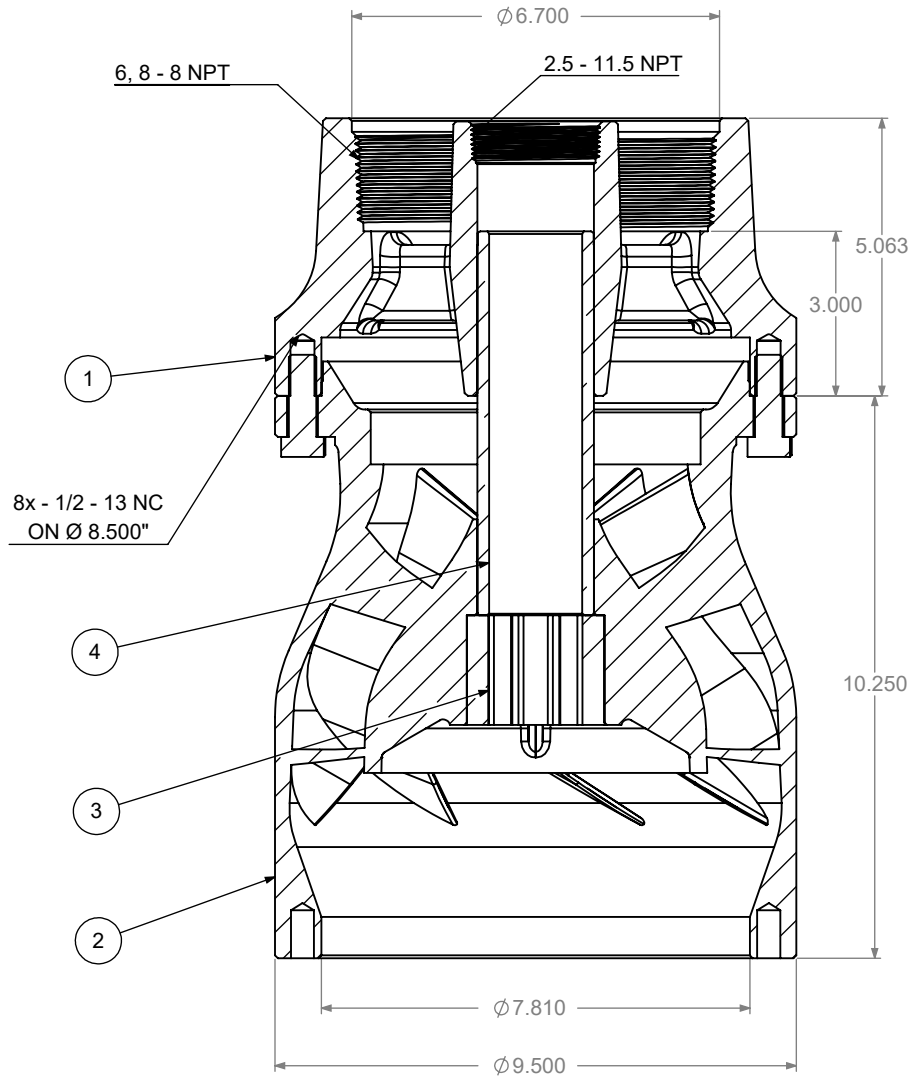
DEPARTMENT: *GENERAL*

Rev: *0.0.0* SHEET 1 OF 1



FOR 1.688" SHAFT

ASSEMBLY NAME	ASSEMBLY PART No.
Sub Column adapter w/brz brg F10 6-TT	F1056060
Sub Column adapter w/brz brg F10 8-TT	F1056260



BILL OF MATERIALS

ITEM NO.	PART NAME	QTY	PART No.	MATERIAL
1	SUB COLUMN ADAPTER F10YC 6-TT	1	F1056001	CLASS 40 CAST IRON
2	CLOSED BOWL F10YC COMBINED	1	F1031401	CLASS 40 CAST IRON
3	OCT RUBBER BEARING 1.688 x 2.500 x 2.000	1	CTE168840441	B-72-2 NEOPRENE DURO 70A
4	DISCHARGE CASE BEARING 1.688	1	CT168810113	C-844 BRONZE
5	HEX BOLT 0.500 x 1.500	8	GRAL50020451	GRADE 5

OPTIONAL

ITEM NO.	PART NAME	PART No.	MATERIAL
1	SUB COLUMN ADAPTER F10YC 8-ST	F1056201	CLASS 40 CAST IRON



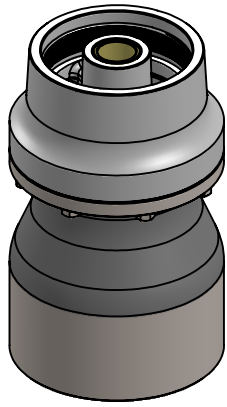
BOMBAS KLASSEN S.A DE C.V.
THIS DRAWING IS THE EXCLUSIVE PROPERTY OF
BOMBAS KLASSEN S.A DE C.V.

NO USE WHATSOEVER OF THE INFORMATION
CONTAINED HEREON MAY BE USED WITHOUT WRITTEN PERMISSION

DEPARTMENT: *GENERAL*

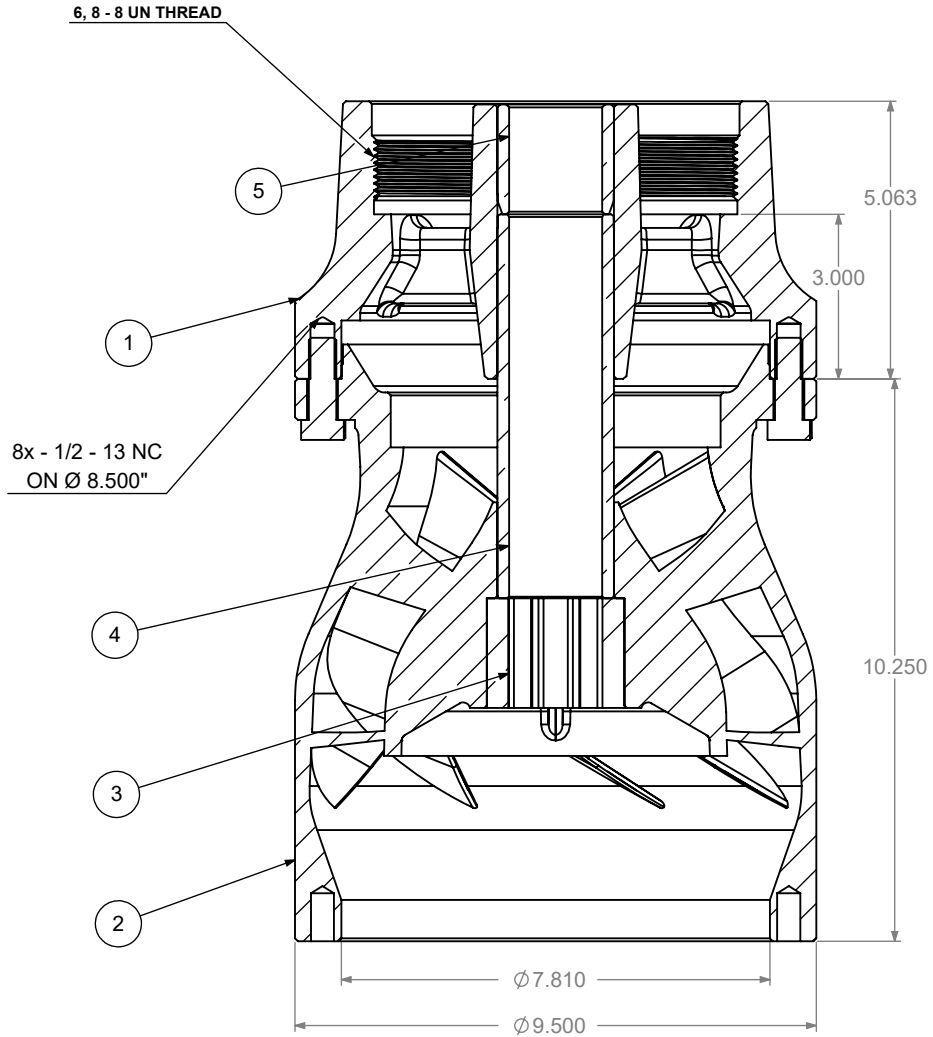
UNLESS OTHERWISE SPECIFIED
DIMENSIONS ARE IN INCHES

Rev: *0.0.0* SHEET 1 OF 1



FOR 1.688" SHAFT

ASSEMBLY NAME	ASSEMBLY PART No.
WL Column adapter w/brz brg F10 6-ST	F1055960
WL Column adapter w/brz brg F10 8-ST	F1056160



BILL OF MATERIALS

ITEM NO.	PART NAME	QTY	PART No.	MATERIAL
1	WL COLUMN ADAPTER F10YC 6-ST	1	F1055901	CLASS 40 CAST IRON
2	CLOSED BOWL F10YC COMBINED	1	F1031401	CLASS 40 CAST IRON
3	OCT RUBBER BEARING 1.688 x 2.500 x 2.000	1	CTE168840441	B-72-2 NEOPRENE DURO 70A
4	DISCHARGE CASE BEARING 1.688	1	CT168810113	C-844 BRONZE
5	BOWL BRONZE BEARING 1.688 x 2.125 x 2.000	1	CT168811413	C-844 BRONZE
6	HEX BOLT 0.500 x 1.500	8	GRAL50020451	GRADE 5

OPTIONAL

ITEM NO.	PART NAME	PART No.	MATERIAL
1	WL COLUMN ADAPTER F10YC 8-ST	F1056101	CLASS 40 CAST IRON



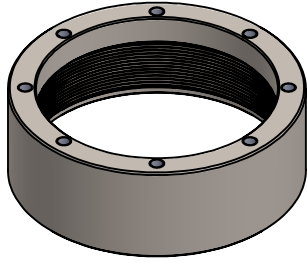
BOMBAS KLASSEN S.A DE C.V
THIS DRAWING IS THE EXCLUSIVE PROPERTY OF
BOMBAS KLASSEN S.A DE C.V

NO USE WHATSOEVER OF THE INFORMATION
CONTAINED HEREON MAY BE USED WITHOUT WRITTEN PERMISSION

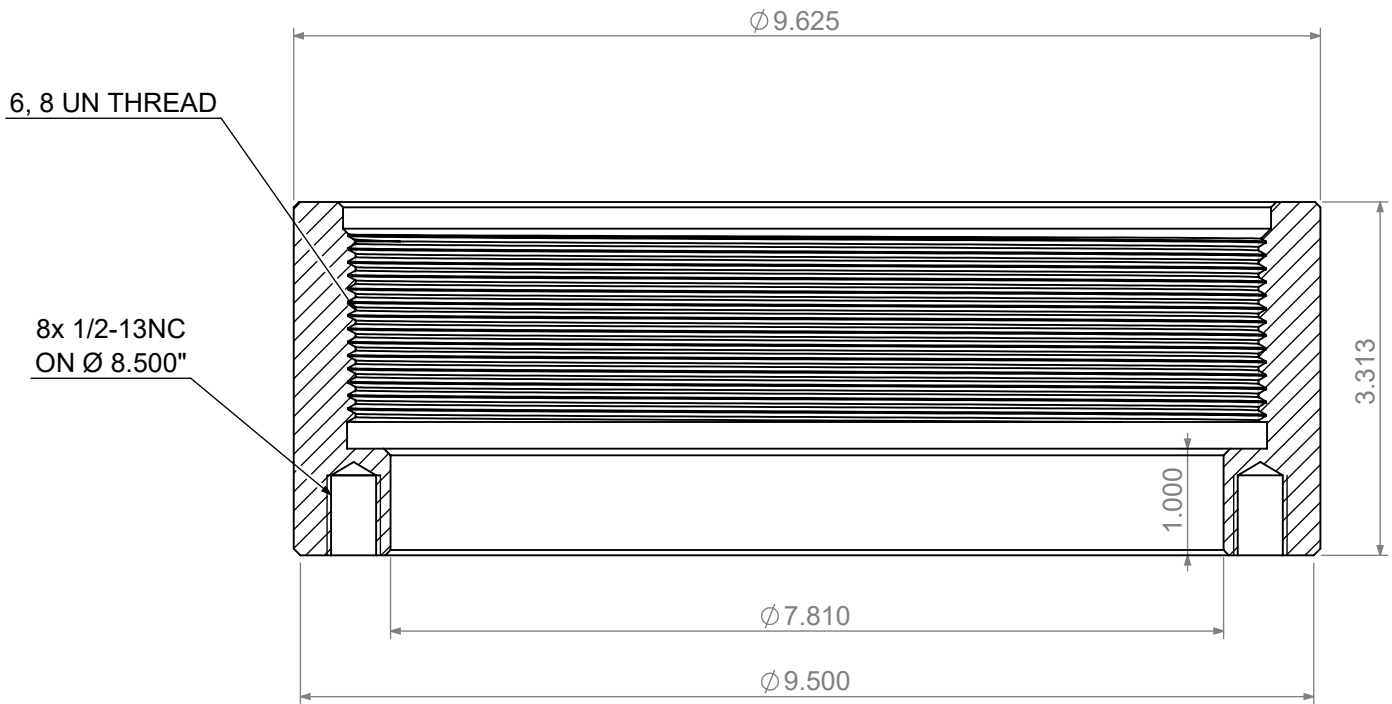
DEPARTMENT: *GENERAL*

UNLESS OTHERWISE SPECIFIED
DIMENSIONS ARE IN INCHES

Rev: *0.0.0* SHEET 1 OF 1



NAME	PART No.	MATERIAL
Column Adapter W10 F10 6-ST	W1050901	CLASS 40 CAST IRON
Column Adapter W10 F10 8-ST	W1051101	CLASS 40 CAST IRON
Column Adapter W10 F10 6-TT	W1051001	CLASS 40 CAST IRON
Column Adapter W10 F10 8-TT	W1051201	CLASS 40 CAST IRON



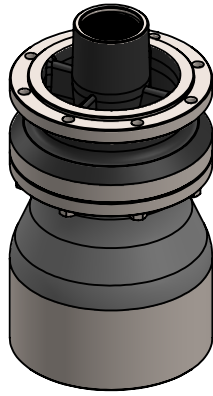
BOMBAS KLASSEN S.A DE C.V
 THIS DRAWING IS THE EXCLUSIVE PROPERTY OF
BOMBAS KLASSEN S.A DE C.V

NO USE WHATSOEVER OF THE INFORMATION
 CONTAINED HEREON MAY BE USED WITHOUT WRITTEN PERMISSION

DEPARTMENT: *GENERAL*

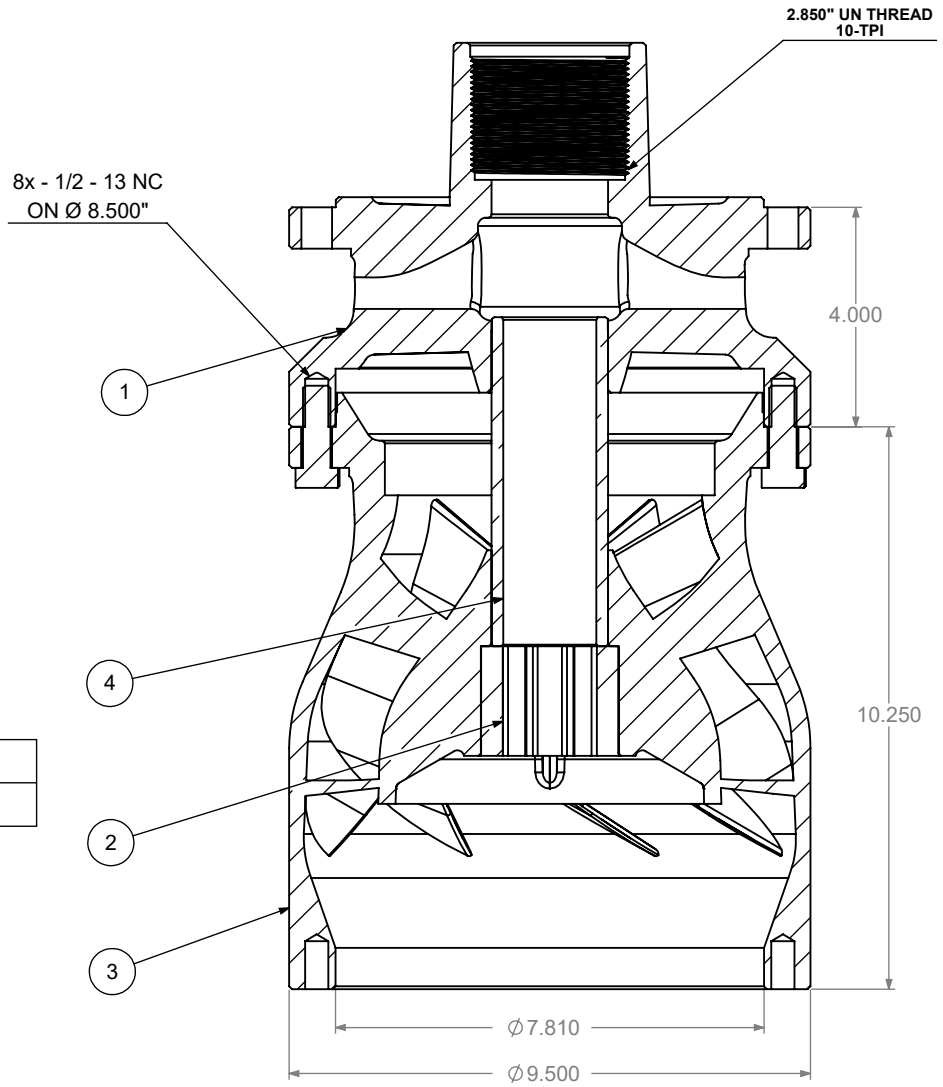
UNLESS OTHERWISE SPECIFIED
 DIMENSIONS ARE IN INCHES

Rev: *0.0.0* SHEET 1 OF 1



FOR 1.688" SHAFT

ASSEMBLY NAME	ASSEMBLY PART No.
Discharge w/ enc. bowl and dual brgs F10 2.5-LH	F1022060
Discharge w/ enc. bowl and dual brgs F10 2.5-RH	F1022160



RH = RIGHT HAND
LH = LEFT HAND

BILL OF MATERIALS

ITEM No.	NAME	QTY	PART No.	MATERIAL
1	DISCHARGE F10YC 2.5-LH	1	F1021301	CLASS 40 CAST IRON
2	OCT RUBBER BEARING 1.688 x 2.500 x 2.000	1	CTE168840441	B-72-2 NEOPRENE DURO 70A
3	CLOSED BOWL F10YC COMBINED	1	F1031401	CLASS 40 CAST IRON
4	DISCHARGE CASE BEARING 1.688	1	CT168810113	C-844 BRONZE
5	HEX BOLT 0.500 x 1.500	8	GRAL50020451	GRADE 5

OPTIONAL

ITEM NO.	PART NAME	PART No.	MATERIAL
1	DISCHARGE CASE F10YC 2.5-RH	F1021301	CLASS 40 CAST IRON



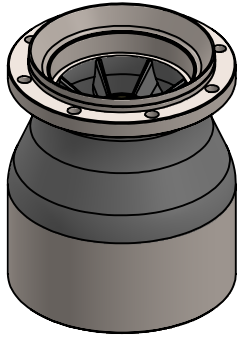
BOMBAS KLASSEN S.A DE C.V
THIS DRAWING IS THE EXCLUSIVE PROPERTY OF
BOMBAS KLASSEN S.A DE C.V

NO USE WHATSOEVER OF THE INFORMATION
CONTAINED HEREON MAY BE USED WITHOUT WRITTEN PERMISSION

DEPARTMENT: *GENERAL*

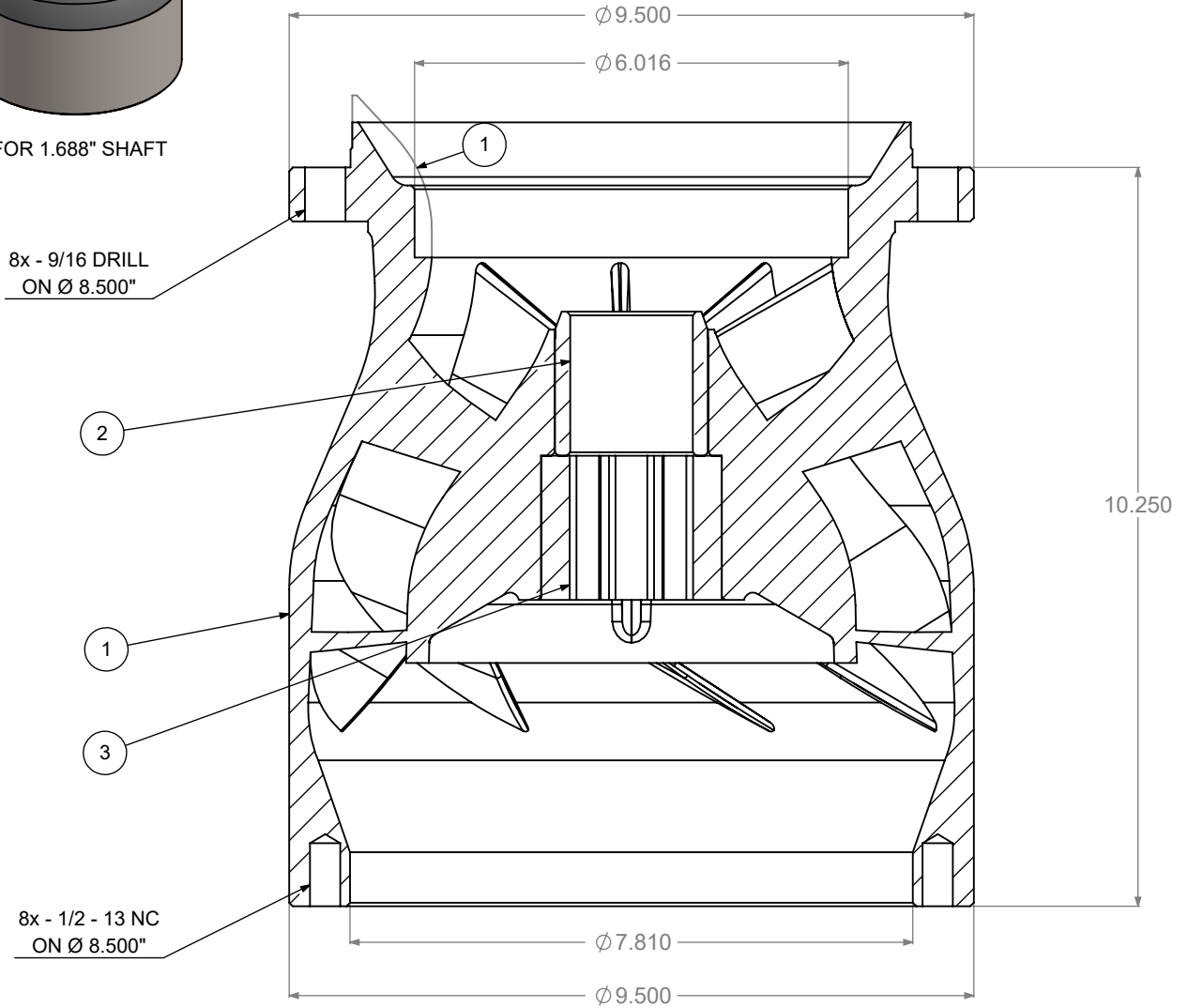
UNLESS OTHERWISE SPECIFIED
DIMENSIONS ARE IN INCHES

Rev: *0.0.0* SHEET 1 OF 1



FOR 1.688" SHAFT

ASSEMBLY NAME	ASSEMBLY PART No.
Closed Bowl w/ dual brgs F10YC	F1031460
Open Bowl w/ dual brgs F10YO	F1030460



BILL OF MATERIALS

ITEM No.	NAME	QTY	PART No.	MATERIAL
1	CLOSED BOWL F10YC COMBINED	1	F1031401	CLASS 40 CAST IRON
2	BOWL BRONZE BEARING 1.688 x 2.125 x 2.000	1	CT168811413	C-844 BRONZE
3	OCT RUBBER BEARING 1.688 x 2.500 x 2.000	1	CTE168840441	B-72-2 NEOPRENE DURO 70A

OPTIONAL

ITEM NO.	PART NAME	PART No.	MATERIAL
1	OPEN BOWLE F10YO COMBINED	F1030401	CLASS 40 CAST IRON



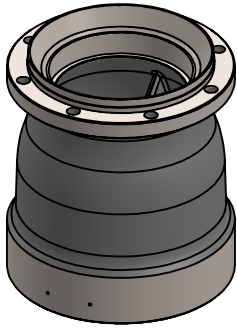
BOMBAS KLASSEN S.A DE C.V
THIS DRAWING IS THE EXCLUSIVE PROPERTY OF
BOMBAS KLASSEN S.A DE C.V

NO USE WHATSOEVER OF THE INFORMATION
CONTAINED HEREON MAY BE USED WITHOUT WRITTEN PERMISSION

DEPARTMENT: *GENERAL*

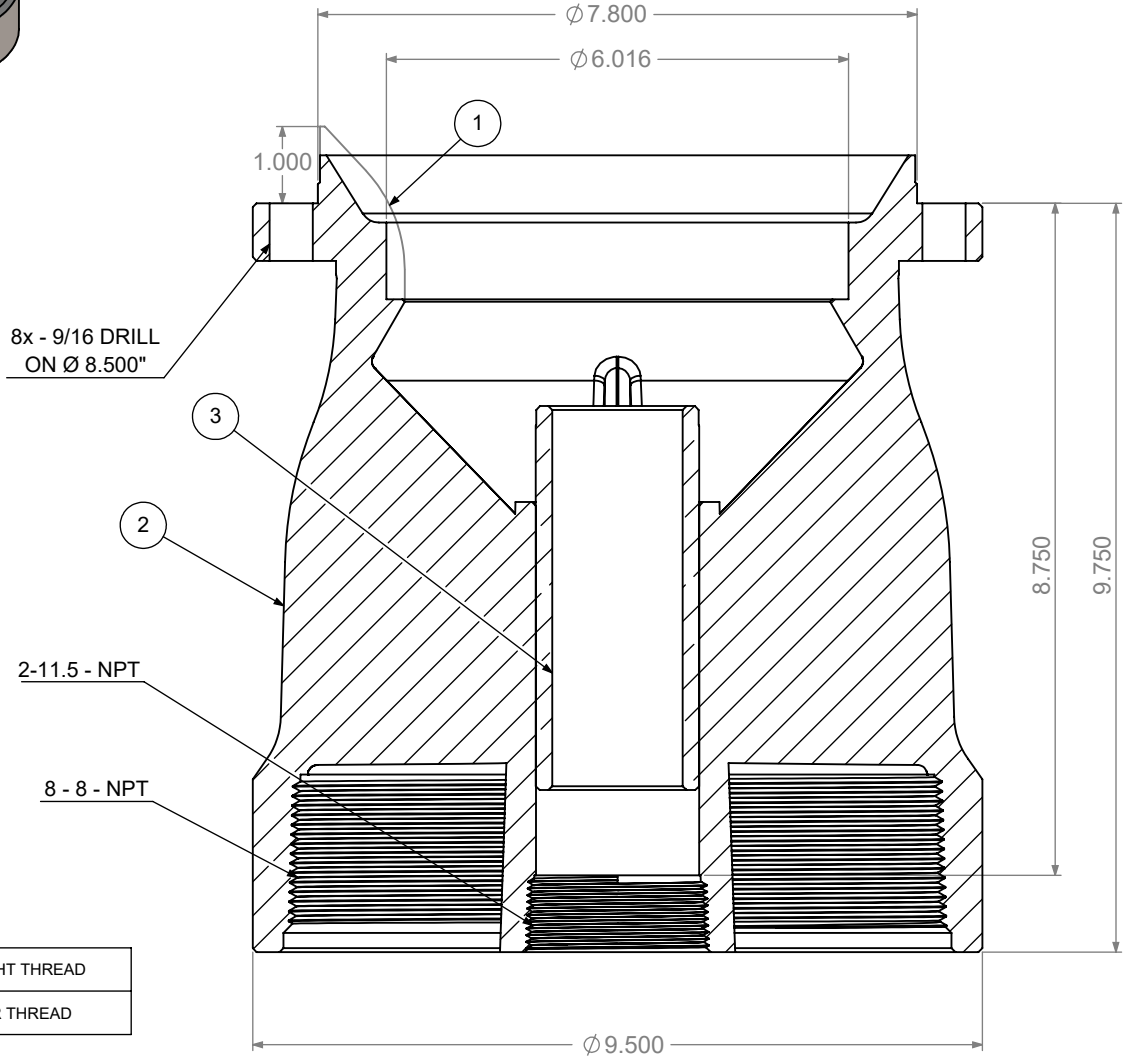
UNLESS OTHERWISE SPECIFIED
DIMENSIONS ARE IN INCHES

Rev: *0.0.0* SHEET 1 OF 1



FOR 1.688" SHAFT

ASSEMBLY NAME	ASSEMBLY PART No.
Suction case w/brz bearing F10YC closed 8-TT	F1041860
Suction case w/brz bearing F10YO open 8-TT	F1040860
Suction case w/brz bearing F10YC closed 8-ST	F1041760
Suction case w/brz bearing F10YO open 8-ST	F1040760



ST = STRAIGHT THREAD
TT = TAPER THREAD

BILL OF MATERIALS

ITEM NO.	PART NAME	QTY	PART No.	MATERIAL
1	SUCTION CASE F10YO OPEN 8-TT	1	F1040801	CLASS 40 CAST IRON
1	SUCTION CASE F10YC CLOSED 8-TT	1	F1041801	CLASS 40 CAST IRON
3	SUCTION CASE BEARING 1.688 x 2.125 x 5.000	1	CT168811213	C-844 BRONZE

OPTIONAL

ITEM NO.	PART NAME	PART No.	MATERIAL
1	SUCTION CASE F10YO 8-ST	F1040701	CLASS 40 CAST IRON
2	SUCTION CASE F10YC 8-ST	F1041701	CLASS 40 CAST IRON



BOMBAS KLASSEN S.A DE C.V.
 THIS DRAWING IS THE EXCLUSIVE PROPERTY OF
BOMBAS KLASSEN S.A DE C.V.

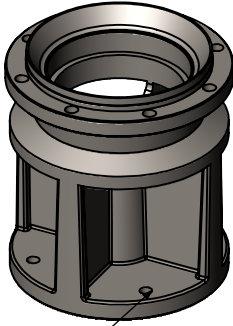
NO USE WHATSOEVER OF THE INFORMATION
 CONTAINED HEREON MAY BE USED WITHOUT WRITTEN PERMISSION

DEPARTMENT: *GENERAL*

UNLESS OTHERWISE SPECIFIED
 DIMENSIONS ARE IN INCHES

Rev: *0.0.0* SHEET 1 OF 1

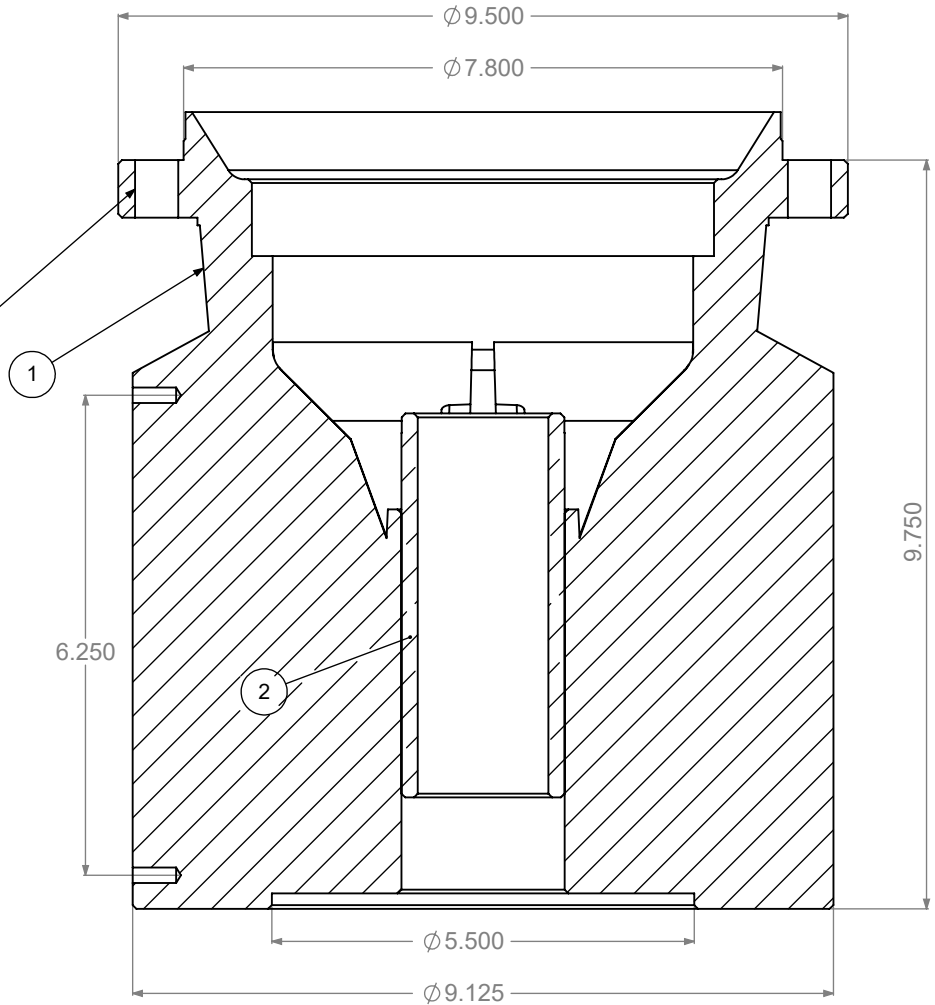
ASSEMBLY NAME	ASSEMBLY PART No.
Sub suction case w/brz bearing F10YC closed	F1044660



4x - 5/8 - 11 NC
ON Ø 7.500"

FOR 1.688" SHAFT

8x - 9/16 DRILL
ON Ø 8.500"



BILL OF MATERIALS

ITEM NO.	PART NAME	QTY	PART No.	MATERIAL
1	SUB SUCTION CASE F10YC CLOSED	1	F1044601	CLASS 40 CAST IRON
2	SUCTION CASE BEARING 1.688 x 2.125 x 5.000	1	CT168811213	C-844 BRONZE



BOMBAS KLASSEN S.A DE C.V
THIS DRAWING IS THE EXCLUSIVE PROPERTY OF
BOMBAS KLASSEN S.A DE C.V

NO USE WHATSOEVER OF THE INFORMATION
CONTAINED HEREON MAY BE USED WITHOUT WRITTEN PERMISSION

DEPARTMENT: <i>GENERAL</i>
Rev: <i>0.0.0</i> SHEET 1 OF 1

UNLESS OTHERWISE SPECIFIED
DIMENSIONS ARE IN INCHES